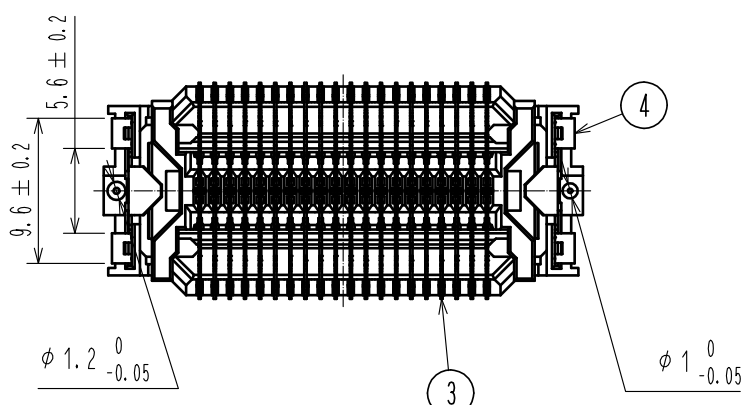
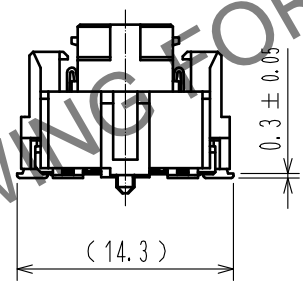
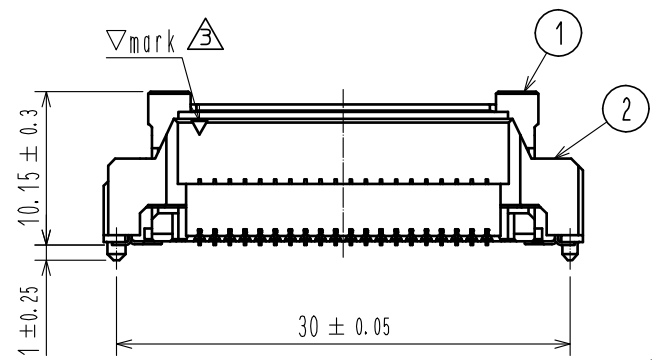
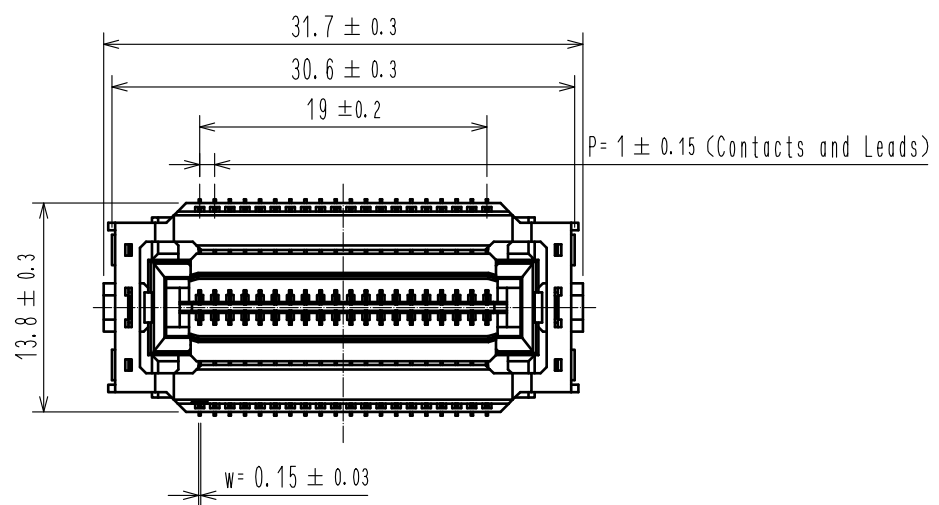
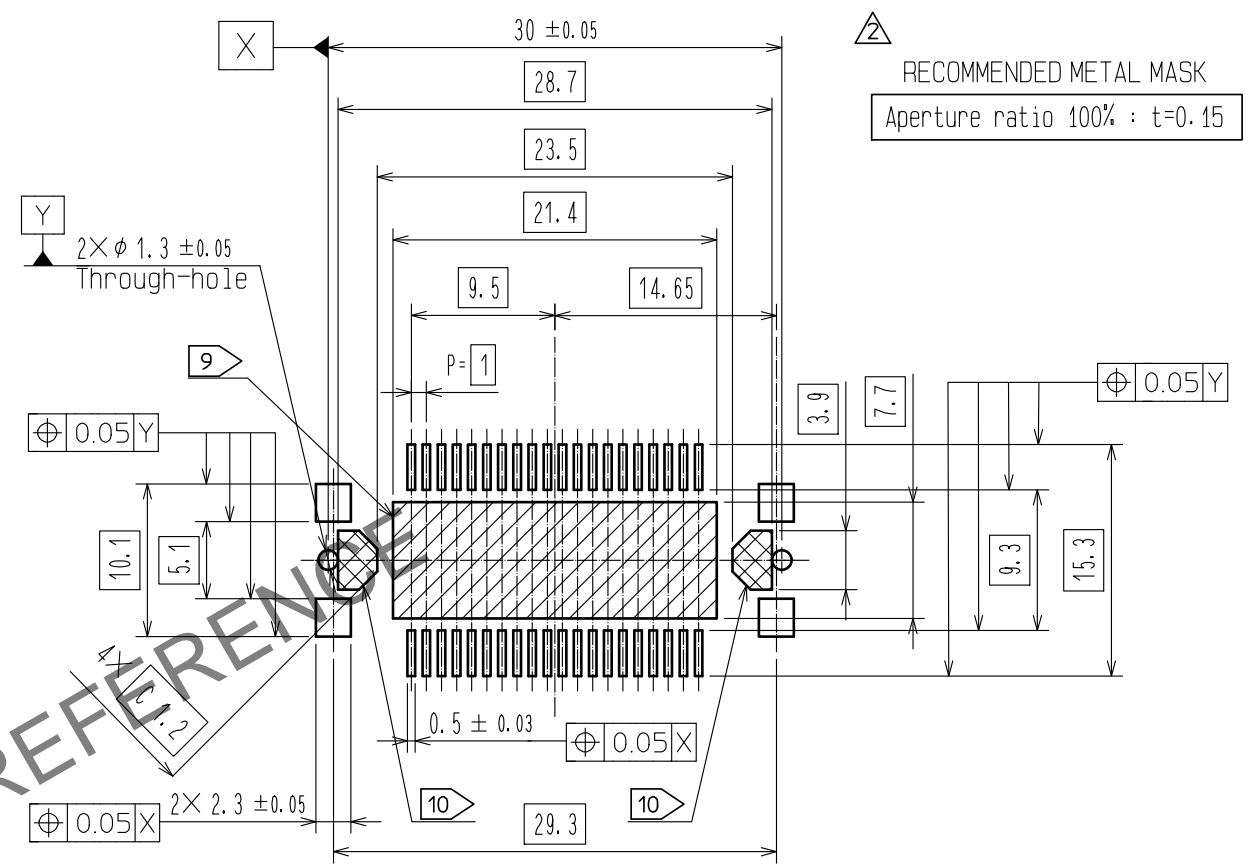


Dec.1.2024 Copyright 2024 HIROSE ELECTRIC CO., LTD. All Rights Reserved.  
 In case of consideration for using Automotive equipment / device which demand high reliability, kindly contact our sales window correspondents.

RECOMMENDED LAND PATTERN DIMENSION OF PCB



Bottom shape change of Housing



RECOMMENDED METAL MASK  
 Aperture ratio 100% : t=0.15

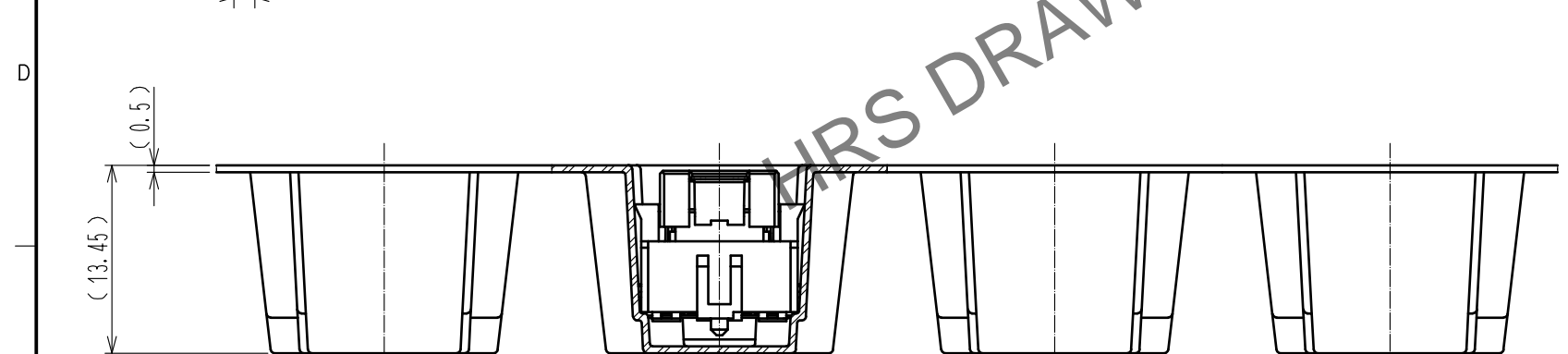
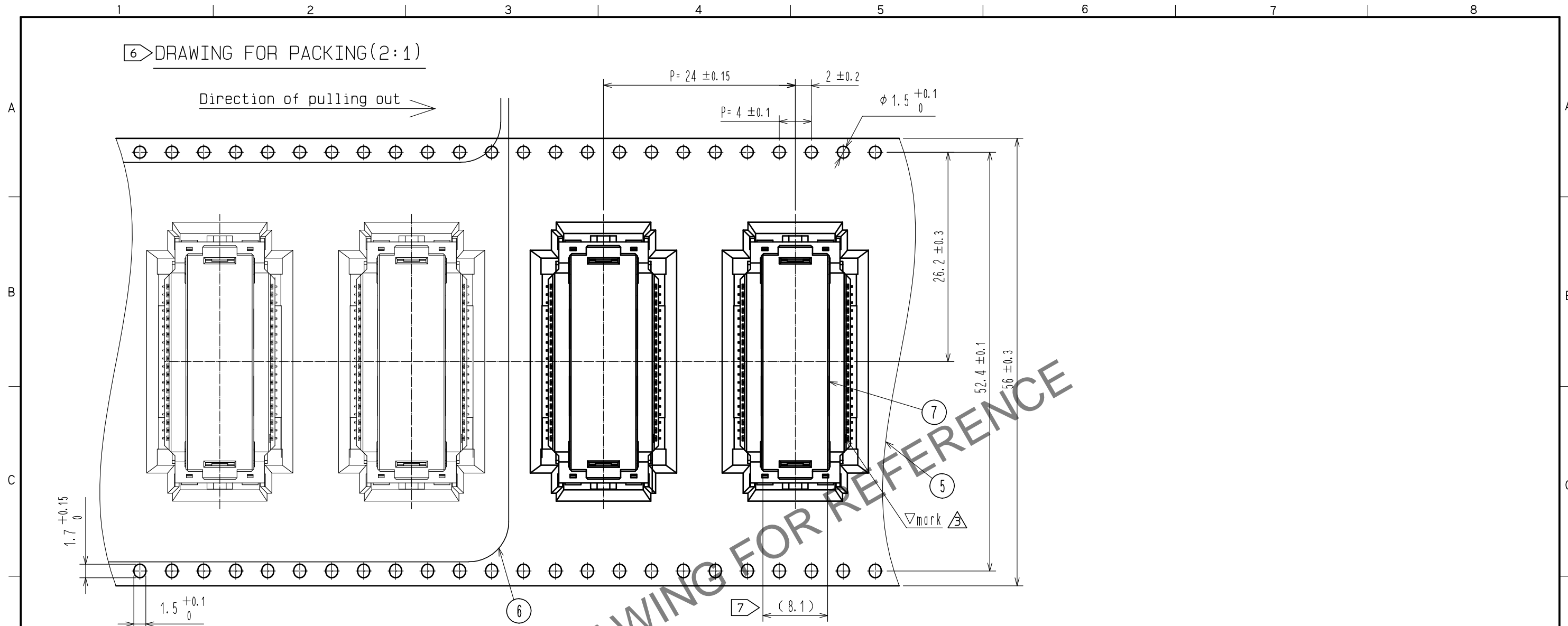
- Note
- Lead CO-Planarity is 0.1mm MAX.
  - Floating range of this connector is ±0.7mm MAX.  
The maximum cycle time of the floating operation is in accordance with the mating cycle of the connector.
  - Please use the connectors within the specified PCB distance.  
Please refer to the drawings of mating connector.
  - Blemish and hit mark can be occurred through out the manufacturing process which doesn't affect quality level.
  - The dimensions in parentheses are for references.
  - This is packaged in embossed carrier tape. (250pcs/RL)
  - It shows the vacuum pickup area. Remove the pickup cap before mating connectors.
  - This connector has no polarity with the mating connector.
  - Arrangement of via-hole is prohibited in [hatched] area.
  - Arrangement of pattern and via-hole are prohibited in [cross-hatched] area.

7	POLYAMIDE	( CAP FOR VACUUM PICKUP)
6	POLYESTER	( EMBOSSED COVER TAPE)
5	POLYSTYRENE	( EMBOSSED CARRIER TAPE)
4	PHOSPHOR BRONZE	OVER PLATING : TIN-PLATING 1 μm UNDER PLATING : NICKEL 0.5 μm
3	COPPER ALLOY	CONTACT AREA : GOLD 0.1 μm LEAD AREA : GOLD 0.03 μm UNDER PLATING : NICKEL 1 μm
1, 2	POLYAMIDE	BLACK UL94V-0
NO.	MATERIAL	FINISH . REMARKS

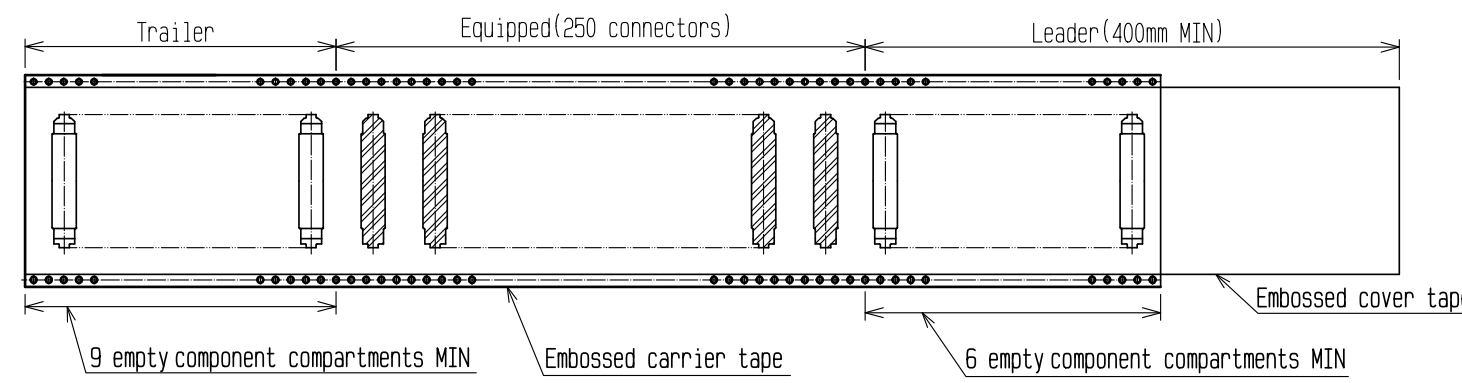
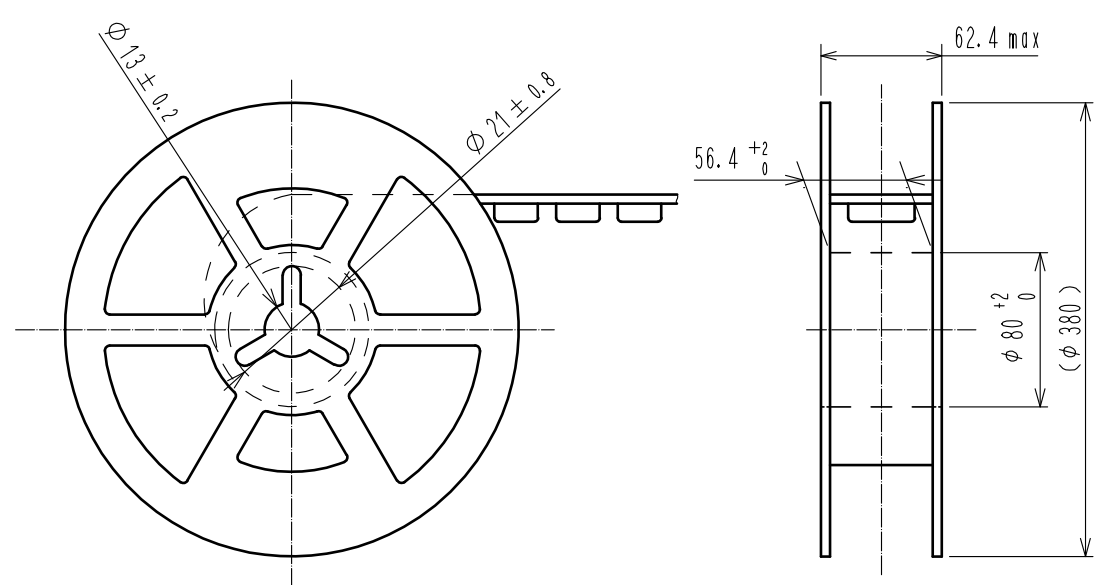
UNITS mm		SCALE 2 : 1	COUNT 2	DESCRIPTION OF REVISIONS DIS-F-00006551	DESIGNED KI. YAMAZAKI	CHECKED KN. SHIBUYA	DATE 20200831
<b>HRS</b> HIROSE ELECTRIC CO., LTD.		APPROVED : HH. SHINDO 20190902	DRAWING NO. EDC-376629-00-00		PART NO. FX26-40P-1SV		
		CHECKED : KN. SHIBUYA 20190902	CODE NO. CL576-1004-0-00		1/2		
		DESIGNED : TK. ABE 20190902					
		DRAWN : KI. YAMAZAKI 20190902					

Dec.1.2024 Copyright 2024 HIROSE ELECTRIC CO., LTD. All Rights Reserved.  
 In case of consideration for using Automotive equipment / device which demand high reliability, kindly contact our sales window correspondents.

6 DRAWING FOR PACKING(2:1)



REEL DIMENSION(No scale)



<b>HRS</b>	DRAWING NO.	EDC-376629-00-00	3/2
	PART NO.	FX26-40P-1SV	
	CODE NO.	CL576-1004-0-00	