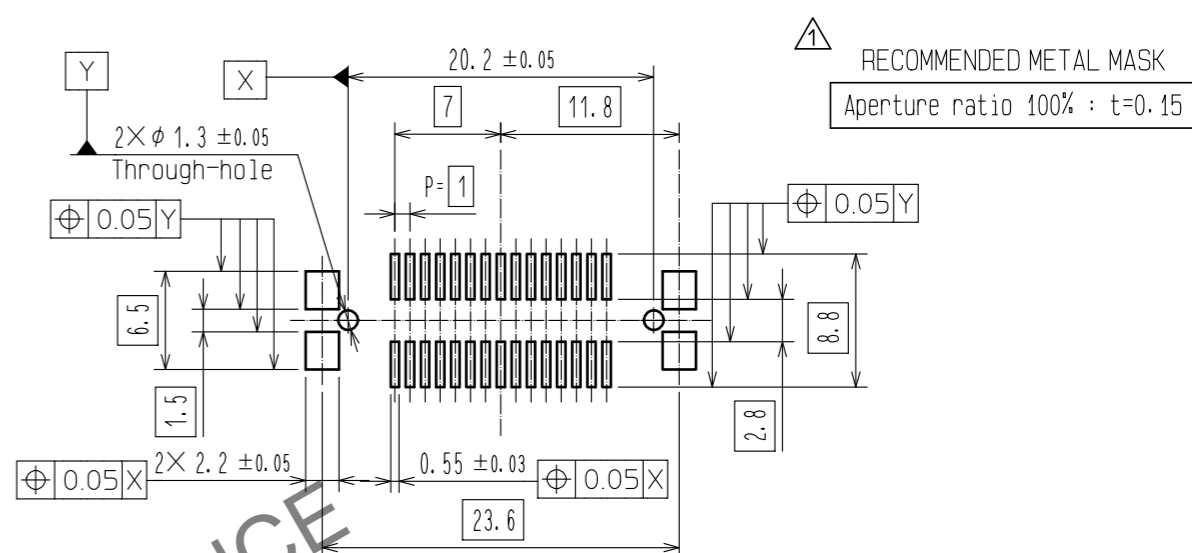
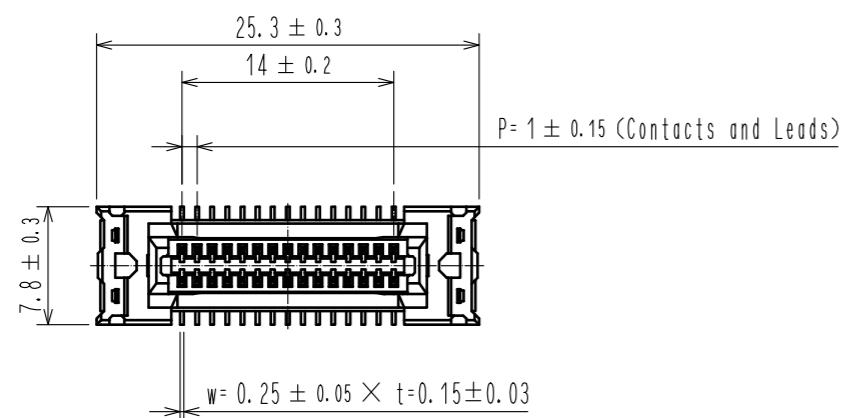
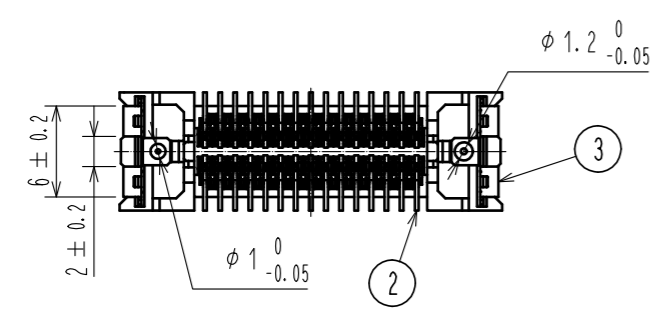
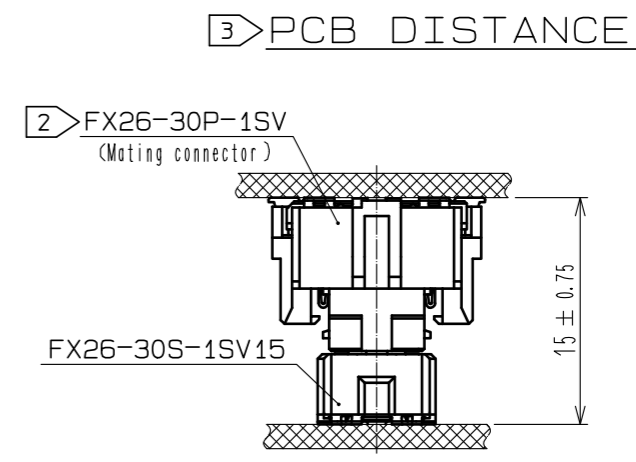
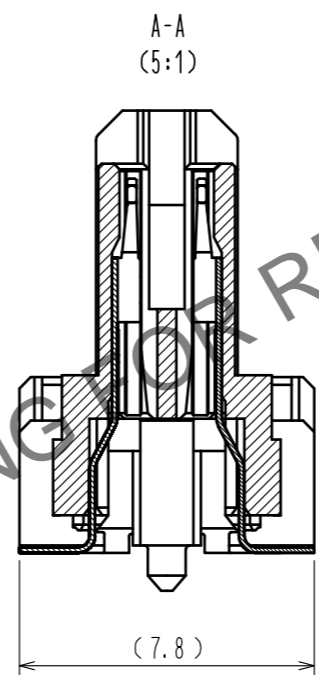
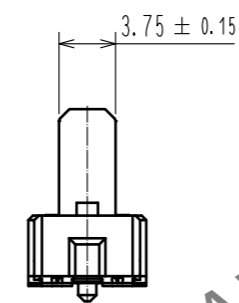
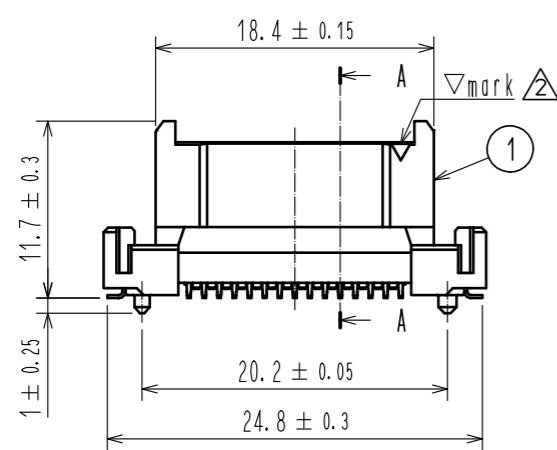


Dec.1.2024 Copyright 2024 HIROSE ELECTRIC CO., LTD. All Rights Reserved.
In case of consideration for using Automotive equipment / device which demand high reliability, kindly contact our sales window correspondents.

RECOMMENDED LAND PATTERN DIMENSION OF PCB



RECOMMENDED METAL MASK
Aperture ratio 100% : t=0.15



- Note
- 1 Lead CO-Planarity is 0.1mm MAX.
 - 2 Floating range of the mating connector is ±0.7mm MAX. The maximum cycle time of the floating operation is in accordance with the mating cycle of the connector.
 - 3 in accordance with the mating cycle of the connector. Please use the connectors within the specified PCB distance.
 - 4 Blemish and hit mark can be occurred through out the manufacturing process which doesn't affect quality level.
 - 5 The dimensions in parentheses are for references.
 - 6 This is packaged in embossed carrier tape. (250pcs/RL)
 - 7 It shows the vacuum pickup area. Remove the pickup cap before mating connectors.
 - 8 This connector has no polarity with the mating connector.

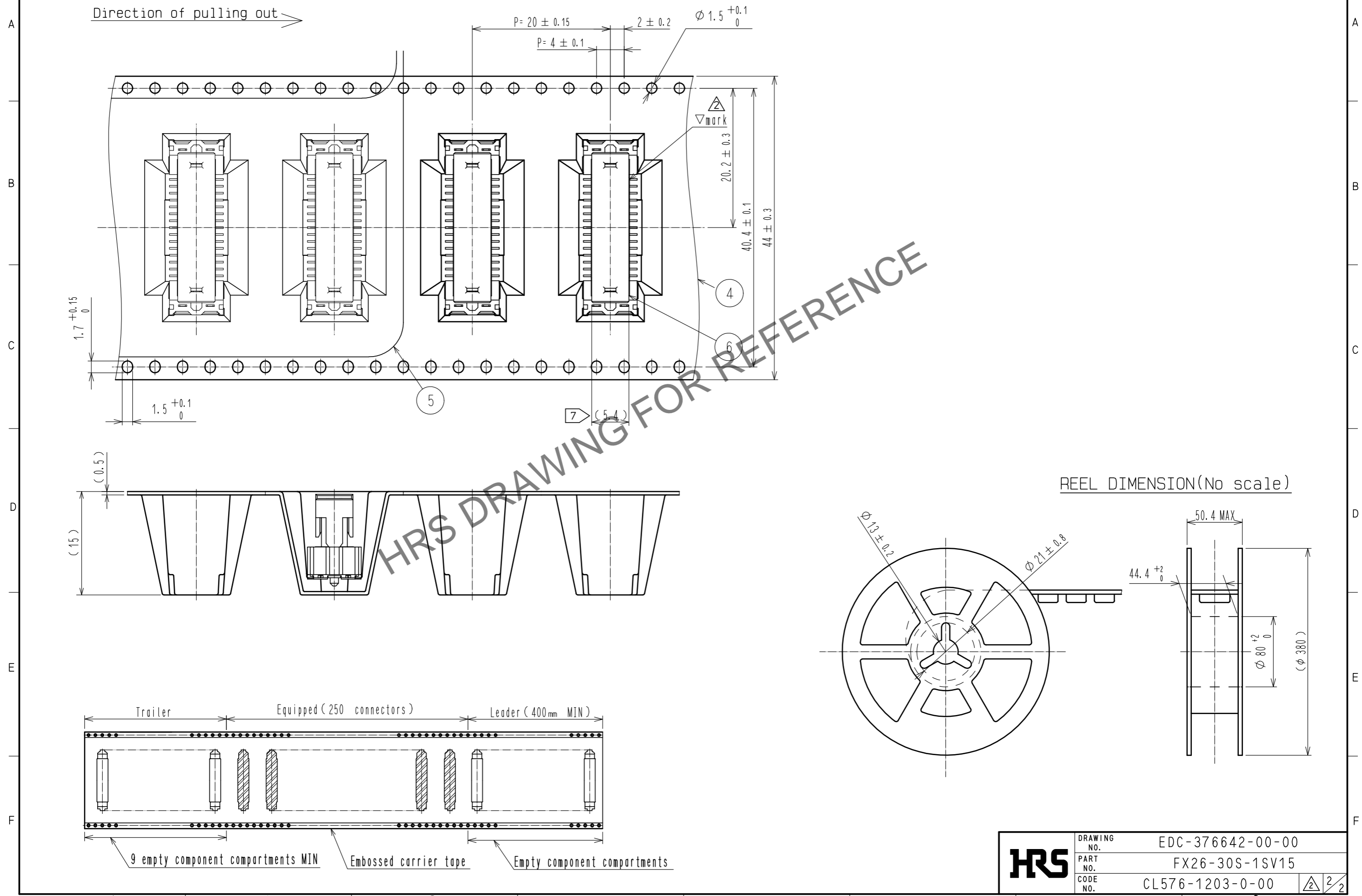
6	POLYAMIDE	(CAP FOR VACUUM PICKUP)
5	POLYESTER	(EMBOSSED COVER TAPE)
4	POLYSTYRENE	(EMBOSSED CARRIER TAPE)
3	PHOSPHOR BRONZE	OVER PLATING : TIN-PLATING 1 μm
		UNDER PLATING: NICKEL 0.5 μm
2	COPPER ALLOY	CONTACT AREA : GOLD 0.1 μm
		LEAD AREA : GOLD 0.03 μm
		UNDER PLATING: NICKEL 1 μm

NO.	MATERIAL	FINISH . REMARKS	NO.	MATERIAL	FINISH . REMARKS
1	POLYAMIDE	BLACK UL94V-0			

UNITS mm		SCALE 2 : 1	COUNT 2	DESCRIPTION OF REVISIONS DIS-F-00006551	DESIGNED KI. YAMAZAKI	CHECKED KN. SHIBUYA	DATE 20200831
HRS HIROSE ELECTRIC CO., LTD.		APPROVED : HH. SHINDO	20190809	DRAWING NO.	EDC-376642-00-00		
		CHECKED : KN. SHIBUYA	20190809	PART NO.	FX26-30S-1SV15		
		DESIGNED : KT. DOI	20190808	CODE NO.	CL576-1203-0-00		
		DRAWN : KI. YAMAZAKI	20190808		1/2		

Dec.1.2024 Copyright 2024 HIROSE ELECTRIC CO., LTD. All Rights Reserved.
 In case of consideration for using Automotive equipment / device which demand high reliability, kindly contact our sales window correspondents.

6 DRAWING FOR PACKING (2:1)



HRS DRAWING FOR REFERENCE

HRS	DRAWING NO.	EDC-376642-00-00	2/2
	PART NO.	FX26-30S-1SV15	
	CODE NO.	CL576-1203-0-00	