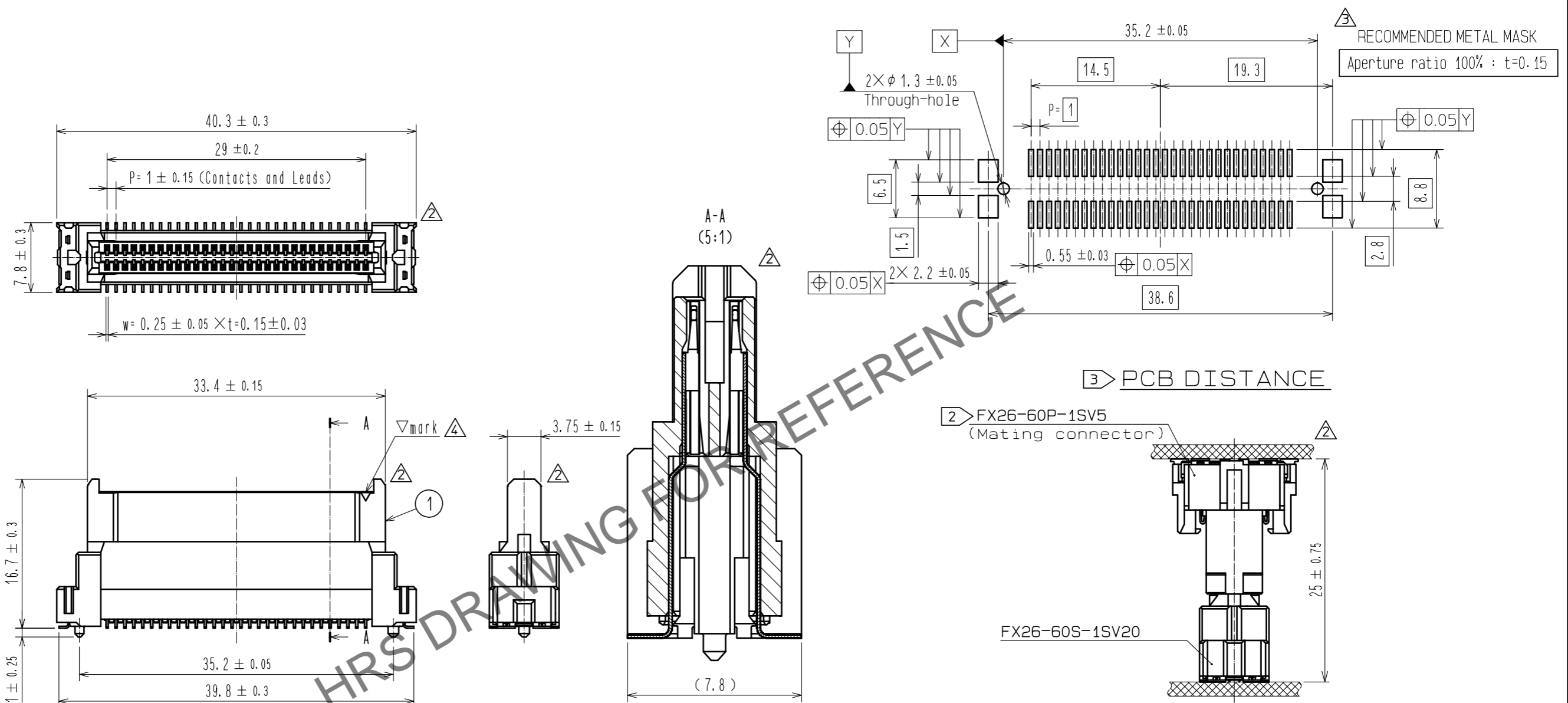


Dec.1.2024 Copyright 2024 HIROSE ELECTRIC CO., LTD. All Rights Reserved.  
 In case of consideration for using Automotive equipment / device which demand high reliability, kindly contact our sales window correspondents.

RECOMMENDED LAND PATTERN DIMENSION OF PCB



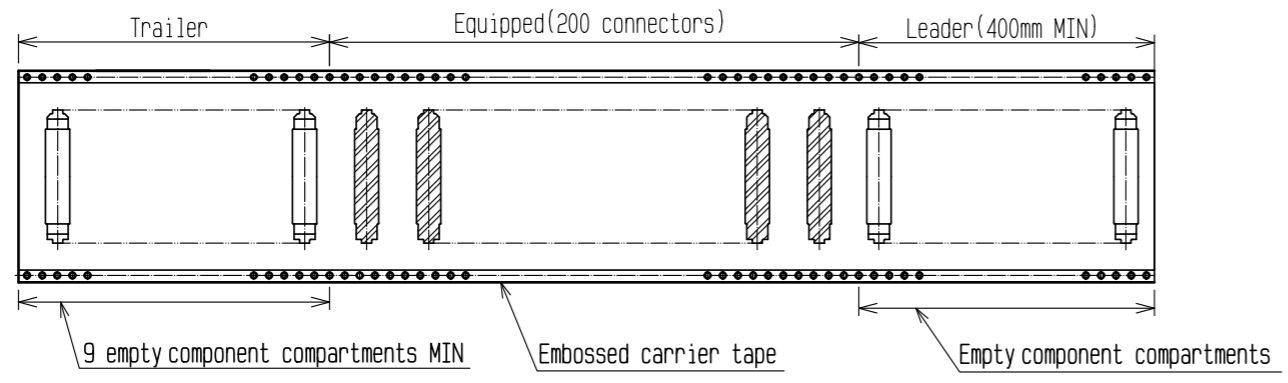
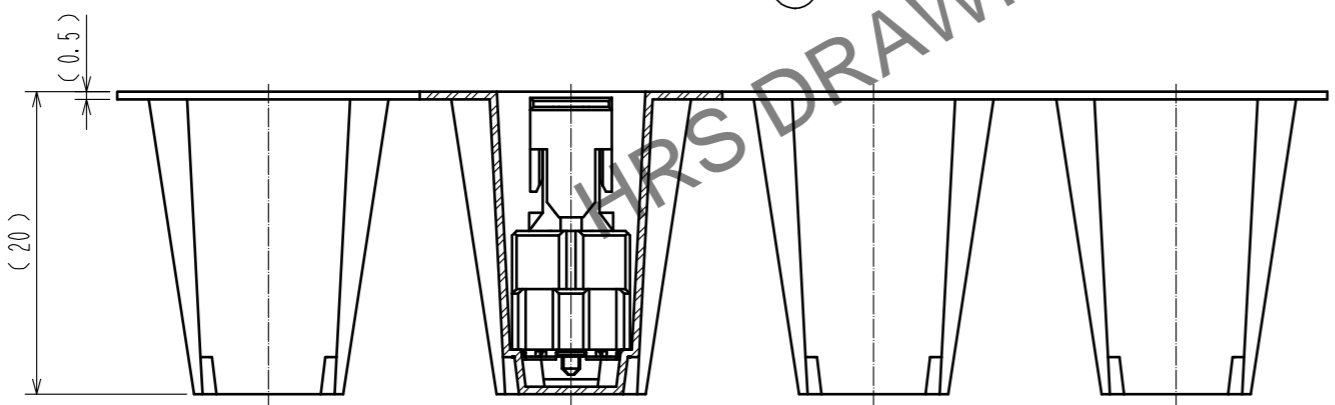
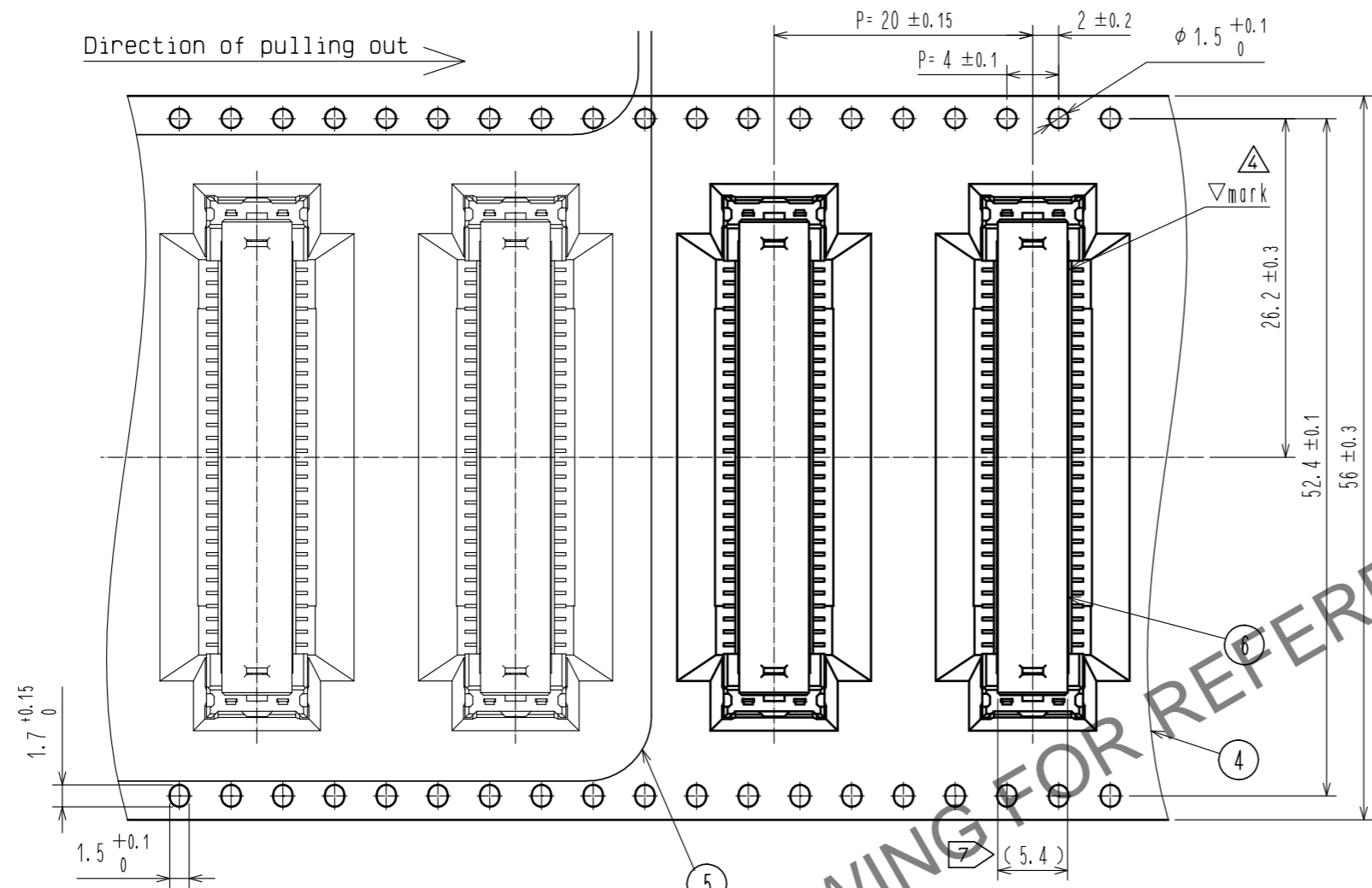
- Note
- 1 Lead CO-Planarity is 0.1mm MAX.
  - 2 Floating range of the mating connector is ±0.7mm MAX.  
The maximum cycle time of the floating operation is in accordance with the mating cycle of the connector.
  - 3 Please use the connectors within the specified PCB distance.
  - 4 Blemish and hit mark can be occurred through out the manufacturing process which doesn't affect quality level.
  - 5 The dimensions in parentheses are for references.
  - 6 This is packaged in embossed carrier tape. (200pcs/RL)
  - 7 It shows the vacuum pickup area.  
Remove the pickup cap before mating connectors.
  - 8 This connector has no polarity with the mating connector.

6	POLYAMIDE	( CAP FOR VACUUM PICKUP)
5	POLYESTER	( EMBOSSED COVER TAPE)
4	POLYSTYRENE	( EMBOSSED CARRIER TAPE)
3	PHOSPHOR BRONZE	OVER PLATING : TIN-PLATING 1μm
		UNDER PLATING: NICKEL 0.5μm
2	COPPER ALLOY	CONTACT AREA : GOLD 0.1μm
		LEAD AREA : GOLD 0.03μm
		UNDER PLATING: NICKEL 1μm

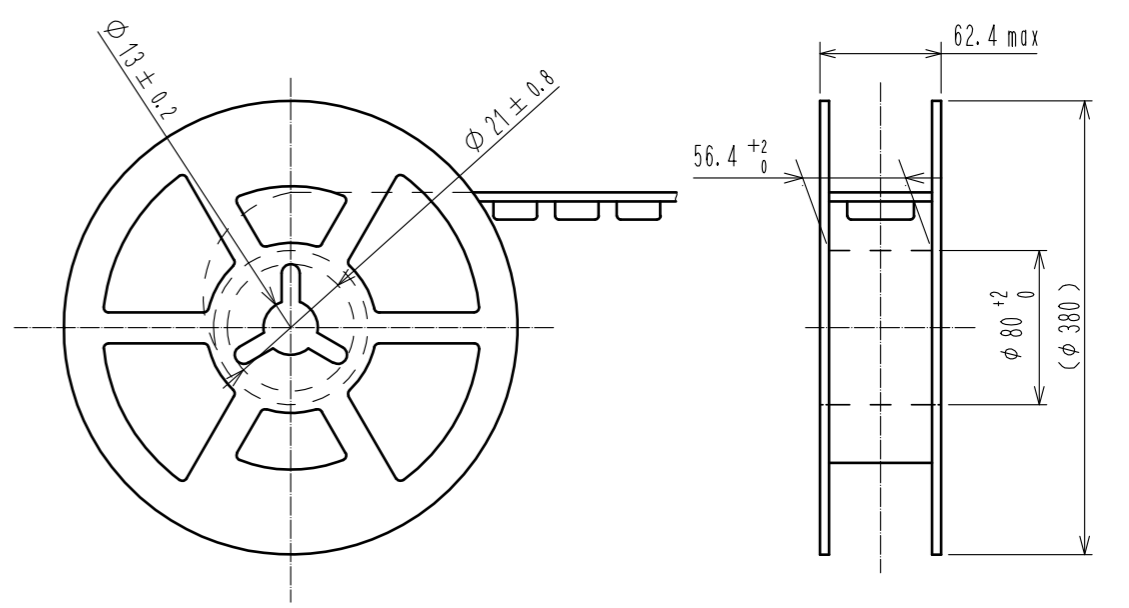
1	POLYAMIDE	BLACK UL94V-0	NO.	MATERIAL	FINISH .	REMARKS	NO.	MATERIAL	FINISH .	REMARKS		
UNITS	mm	SCALE	2 : 1	COUNT	2	DESCRIPTION OF REVISIONS	DESIGNED	KI. YAMAZAKI	CHECKED	KN. SHIBUYA	DATE	20200831
APPROVED : HH. SHINDO		20190719		DRAWING NO.		EDC-376652-00-00						
CHECKED : KN. SHIBUYA		20190718		PART NO.		FX26-60S-1SV20						
DESIGNED : TK. ABE		20190718		CODE NO.		CL576-1306-0-00						
DRAWN : TK. ABE		20190718		NO.		1/2						

Dec.1.2024 Copyright 2024 HIROSE ELECTRIC CO., LTD. All Rights Reserved.  
 In case of consideration for using Automotive equipment / device which demand high reliability, kindly contact our sales window correspondents.

6 DRAWING FOR PACKING(2:1)



REEL DIMENSION(No scale)



<b>HRS</b>	DRAWING NO.	EDC-376652-00-00	4/2
	PART NO.	FX26-60S-1SV20	
	CODE NO.	CL576-1306-0-00	