

Apr.1.2025 Copyright 2025 HIROSE ELECTRIC CO., LTD. All Rights Reserved.  
 In case of consideration for using Automotive equipment / device which demand high reliability, kindly contact our sales window correspondents.

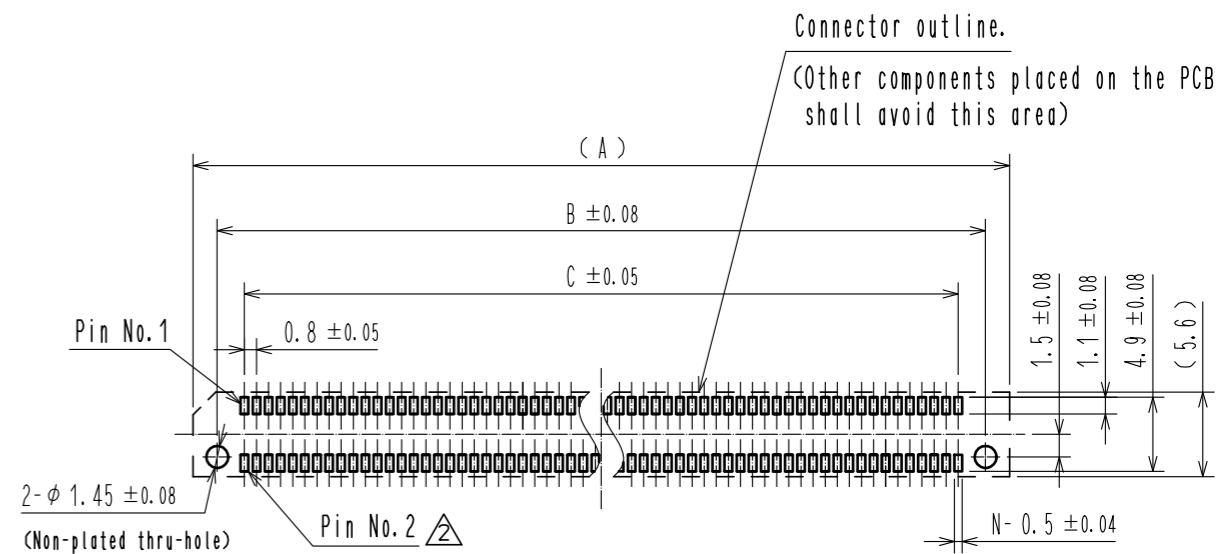
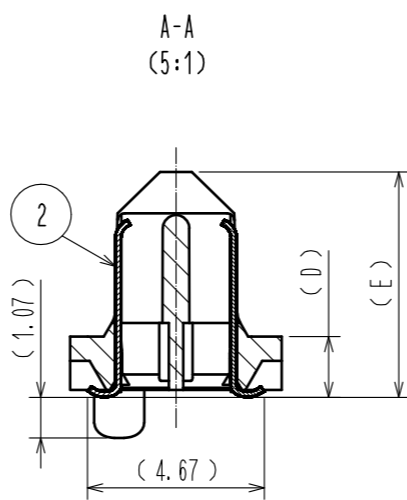
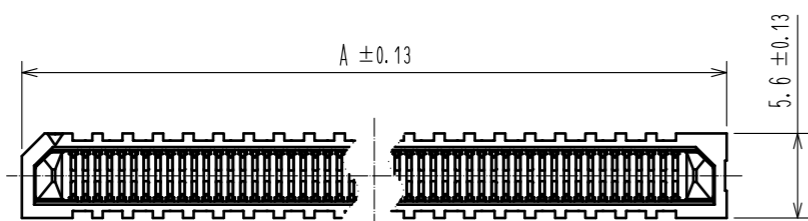


Fig.1 Recommended PCB Layout  
 (All dimensions are symmetric about the centerline)

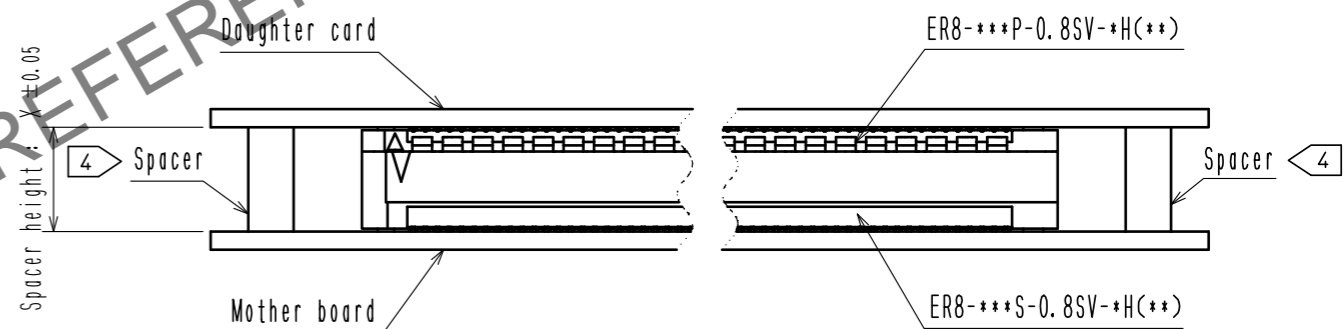
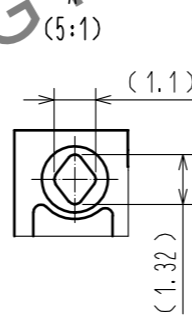
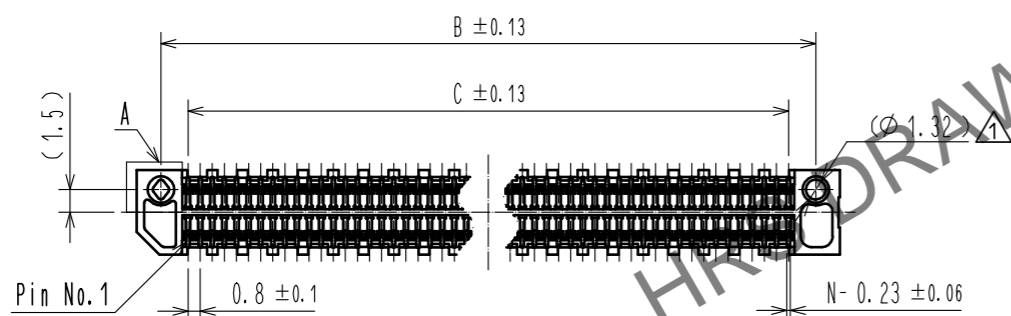
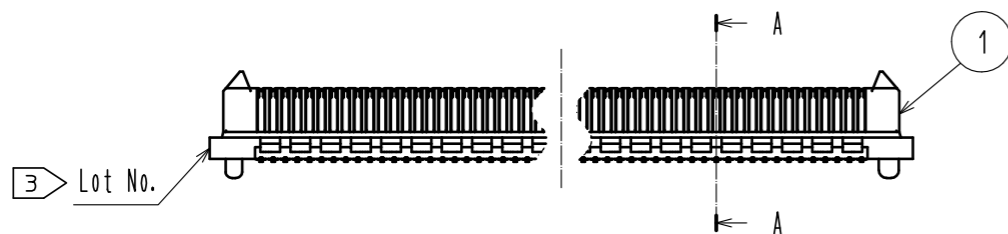


Fig.2 (Free)

- Note.
- Dimensions in parentheses ( ) are for reference.
  - Packaging for this product applies embossed carrier tape packaging. See sheet 2/3 and 3/3 for details.
  - Lot No. shall be marked on the indicated position.
  - The indicated mother board and daughter card shall be gastened to the additional reinforcements to prevent the stress on ER8-\*\*\*P-0.8SV-\*(H)\*\* and ER8-\*\*\*S-0.8SV-\*(H)\*\*.
  - Plating specification are below.

| Part No.                | Plating specification              |
|-------------------------|------------------------------------|
| ER8-***P-0.8SV-*(H)     | CONTACT AREA : Ni2.54μm + Au0.76μm |
|                         | LEAD AREA : Ni1.25μm + Sn3.81μm    |
| ER8-***P-0.8SV-*(H)(10) | CONTACT AREA : Ni1.25μm + Au0.25μm |
|                         | LEAD AREA : Ni1.25μm + Sn2.54μm    |

| Plug                  | Receptacle            | Spacer height (X) |
|-----------------------|-----------------------|-------------------|
| ER8-***P-0.8SV-2H(**) | ER8-***S-0.8SV-5H(**) | 7.15              |
|                       | ER8-***S-0.8SV-7H(**) | 9.15              |
| ER8-***P-0.8SV-5H(**) | ER8-***S-0.8SV-5H(**) | 10.15             |
|                       | ER8-***S-0.8SV-7H(**) | 12.15             |

Table1 Spacer height

| NO. | MATERIAL     | FINISH | REMARKS                          | NO. | MATERIAL | FINISH | REMARKS                 |
|-----|--------------|--------|----------------------------------|-----|----------|--------|-------------------------|
| 3   | POLYIMIDE    |        | (TAPE FOR VACUUM PICK AND PLACE) | 5   | PE       |        | (TOP COVER TAPE)        |
| 2   | COPPER ALLOY |        | (5)                              | 4   | PS       |        | (EMBOSSED CARRIER TAPE) |
| 1   | LCP          | BLACK. | UL94V-0                          |     |          |        |                         |

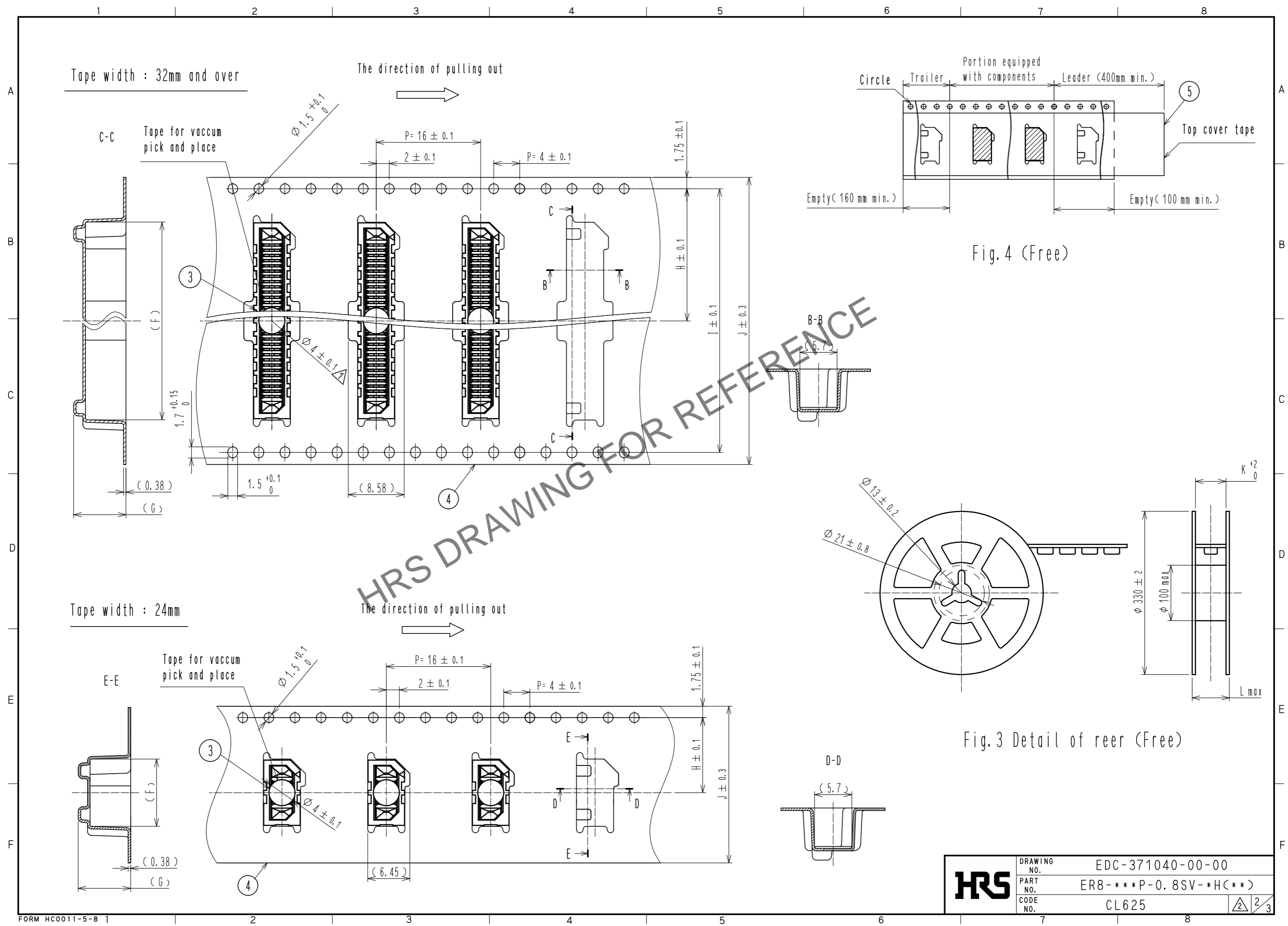
  

| UNITS | SCALE | COUNT | DESCRIPTION OF REVISIONS | DESIGNED     | CHECKED   | DATE     |
|-------|-------|-------|--------------------------|--------------|-----------|----------|
| mm    | 2 : 1 | 1     | DIS-F-00006543           | TF. SUGAWARA | NH. TAMAI | 20200826 |

| APPROVED  | CHECKED    | DESIGNED     | DRAWN        | DRAWING NO.      | PART NO.              | CODE NO. |
|-----------|------------|--------------|--------------|------------------|-----------------------|----------|
| MK. EZAKI | MK. NAGATA | TF. SUGAWARA | TF. SUGAWARA | EDC-371040-00-00 | ER8-***P-0.8SV-*(H)** | CL625    |
| 20160617  | 20160617   | 20160617     | 20160617     |                  |                       |          |

Apr.1.2025 Copyright 2025 HIROSE ELECTRIC CO., LTD. All Rights Reserved.  
 In case of consideration for using Automotive equipment / device which demand high reliability, kindly contact our sales window correspondents.



|            |             |                       |
|------------|-------------|-----------------------|
| <b>HRS</b> | DRAWING NO. | EDC-371040-00-00      |
|            | PART NO.    | ER8-***P-0.8SV-*H(**) |
|            | CODE NO.    | CL625                 |
|            |             | 2/3                   |

Apr.1.2025 Copyright 2025 HIROSE ELECTRIC CO., LTD. All Rights Reserved.  
In case of consideration for using Automotive equipment / device which demand high reliability, kindly contact our sales window correspondents.

| Part No.              | Code No.         | Contact positions (N) | Dimensions |      |      |       |       |      |      |      |      |    |      |      | Co-planarity | Qty/reel |
|-----------------------|------------------|-----------------------|------------|------|------|-------|-------|------|------|------|------|----|------|------|--------------|----------|
|                       |                  |                       | A          | B    | C    | D     | E     | F    | G    | H    | I    | J  | K    | L    |              |          |
| ER8-10P-0.8SV-2H(**)  | CL625-0008-8-**- | 10                    | 10         | 6.8  | 3.2  | 1.605 | 5.965 | 10.3 | 8.03 | 11.5 | -    | 24 | 24.4 | 30.4 | 0.1 Max      | 450      |
| ER8-20P-0.8SV-2H(**)  | CL625-0011-0-**- | 20                    | 14         | 10.8 | 7.2  | 1.605 | 5.965 | 14.3 | 8.03 | 14.2 | 28.4 | 32 | 32.4 | 38.4 | 0.1 Max      | 475      |
| ER8-30P-0.8SV-2H(**)  | CL625-0012-0-**- | 30                    | 18         | 14.8 | 11.2 | 1.605 | 5.965 | 18.3 | 8.03 | 20.2 | 40.4 | 44 | 44.4 | 50.4 | 0.1 Max      | 475      |
| ER8-40P-0.8SV-2H(**)  | CL625-0013-0-**- | 40                    | 22         | 18.8 | 15.2 | 1.605 | 5.965 | 22.3 | 8.03 | 20.2 | 40.4 | 44 | 44.4 | 50.4 | 0.1 Max      | 350      |
| ER8-50P-0.8SV-2H(**)  | CL625-0009-0-**- | 50                    | 26         | 22.8 | 19.2 | 1.605 | 5.965 | 26.3 | 8.03 | 20.2 | 40.4 | 44 | 44.4 | 50.4 | 0.1 Max      | 350      |
| ER8-60P-0.8SV-2H(**)  | CL625-0017-0-**- | 60                    | 30         | 26.8 | 23.2 | 1.605 | 5.965 | 30.3 | 8.03 | 20.2 | 40.4 | 44 | 44.4 | 50.4 | 0.1 Max      | 350      |
| ER8-70P-0.8SV-2H(**)  | CL625-0021-0-**- | 70                    | 34         | 30.8 | 27.2 | 1.605 | 5.965 | 34.3 | 8.03 | 26.2 | 52.4 | 56 | 56.4 | 62.4 | 0.1 Max      | 350      |
| ER8-80P-0.8SV-2H(**)  | CL625-0022-0-**- | 80                    | 38         | 34.8 | 31.2 | 1.605 | 5.965 | 38.3 | 8.03 | 26.2 | 52.4 | 56 | 56.4 | 62.4 | 0.12 Max     | 350      |
| ER8-100P-0.8SV-2H(**) | CL625-0023-0-**- | 100                   | 46         | 42.8 | 39.2 | 1.605 | 5.965 | 46.3 | 8.03 | 34.2 | 68.4 | 72 | 72.4 | 89   | 0.12 Max     | 350      |
| ER8-120P-0.8SV-2H(**) | CL625-0003-4-**- | 120                   | 54         | 50.8 | 47.2 | 1.605 | 5.965 | 54.3 | 8.03 | 34.2 | 68.4 | 72 | 72.4 | 89   | 0.12 Max     | 375      |
| ER8-10P-0.8SV-5H(**)  | CL625-0024-0-**- | 10                    | 10         | 6.8  | 3.2  | 4.605 | 8.905 | 10.3 | 11   | 11.5 | -    | 24 | 24.4 | 30.4 | 0.1 Max      | 325      |
| ER8-20P-0.8SV-5H(**)  | CL625-0025-0-**- | 20                    | 14         | 10.8 | 7.2  | 4.605 | 8.905 | 14.3 | 11   | 14.2 | 28.4 | 32 | 32.4 | 38.4 | 0.1 Max      | 325      |
| ER8-30P-0.8SV-5H(**)  | CL625-0026-0-**- | 30                    | 18         | 14.8 | 11.2 | 4.605 | 8.905 | 18.3 | 11   | 20.2 | 40.4 | 44 | 44.4 | 50.4 | 0.1 Max      | 325      |
| ER8-40P-0.8SV-5H(**)  | CL625-0020-0-**- | 40                    | 22         | 18.8 | 15.2 | 4.605 | 8.905 | 22.3 | 11   | 20.2 | 40.4 | 44 | 44.4 | 50.4 | 0.1 Max      | 250      |
| ER8-50P-0.8SV-5H(**)  | CL625-0027-0-**- | 50                    | 26         | 22.8 | 19.2 | 4.605 | 8.905 | 26.3 | 11   | 20.2 | 40.4 | 44 | 44.4 | 50.4 | 0.1 Max      | 250      |
| ER8-60P-0.8SV-5H(**)  | CL625-0019-0-**- | 60                    | 30         | 26.8 | 23.2 | 4.605 | 8.905 | 30.3 | 11   | 26.2 | 52.4 | 56 | 56.4 | 62.4 | 0.1 Max      | 250      |
| ER8-70P-0.8SV-5H(**)  | CL625-0028-0-**- | 70                    | 34         | 30.8 | 27.2 | 4.605 | 8.905 | 34.3 | 11   | 26.2 | 52.4 | 56 | 56.4 | 62.4 | 0.1 Max      | 250      |
| ER8-80P-0.8SV-5H(**)  | CL625-0029-0-**- | 80                    | 38         | 34.8 | 31.2 | 4.605 | 8.905 | 38.3 | 11   | 26.2 | 52.4 | 56 | 56.4 | 62.4 | 0.12 Max     | 250      |
| ER8-100P-0.8SV-5H(**) | CL625-0030-0-**- | 100                   | 46         | 42.8 | 39.2 | 4.605 | 8.905 | 46.3 | 11   | 34.2 | 68.4 | 72 | 72.4 | 89   | 0.12 Max     | 250      |
| ER8-120P-0.8SV-5H(**) | CL625-0031-0-**- | 120                   | 54         | 50.8 | 47.2 | 4.605 | 8.905 | 54.3 | 11   | 34.2 | 68.4 | 72 | 72.4 | 89   | 0.12 Max     | 250      |

Table2 Dimensions

|            |             |                       |
|------------|-------------|-----------------------|
| <b>HRS</b> | DRAWING NO. | EDC-371040-00-00      |
|            | PART NO.    | ER8-***P-0.8SV-*H(**) |
|            | CODE NO.    | CL625                 |

3/3