

Jan.1.2025 Copyright 2025 HIROSE ELECTRIC CO., LTD. All Rights Reserved.  
In case of consideration for using Automotive equipment / device which demand high reliability, kindly contact our sales window correspondents.

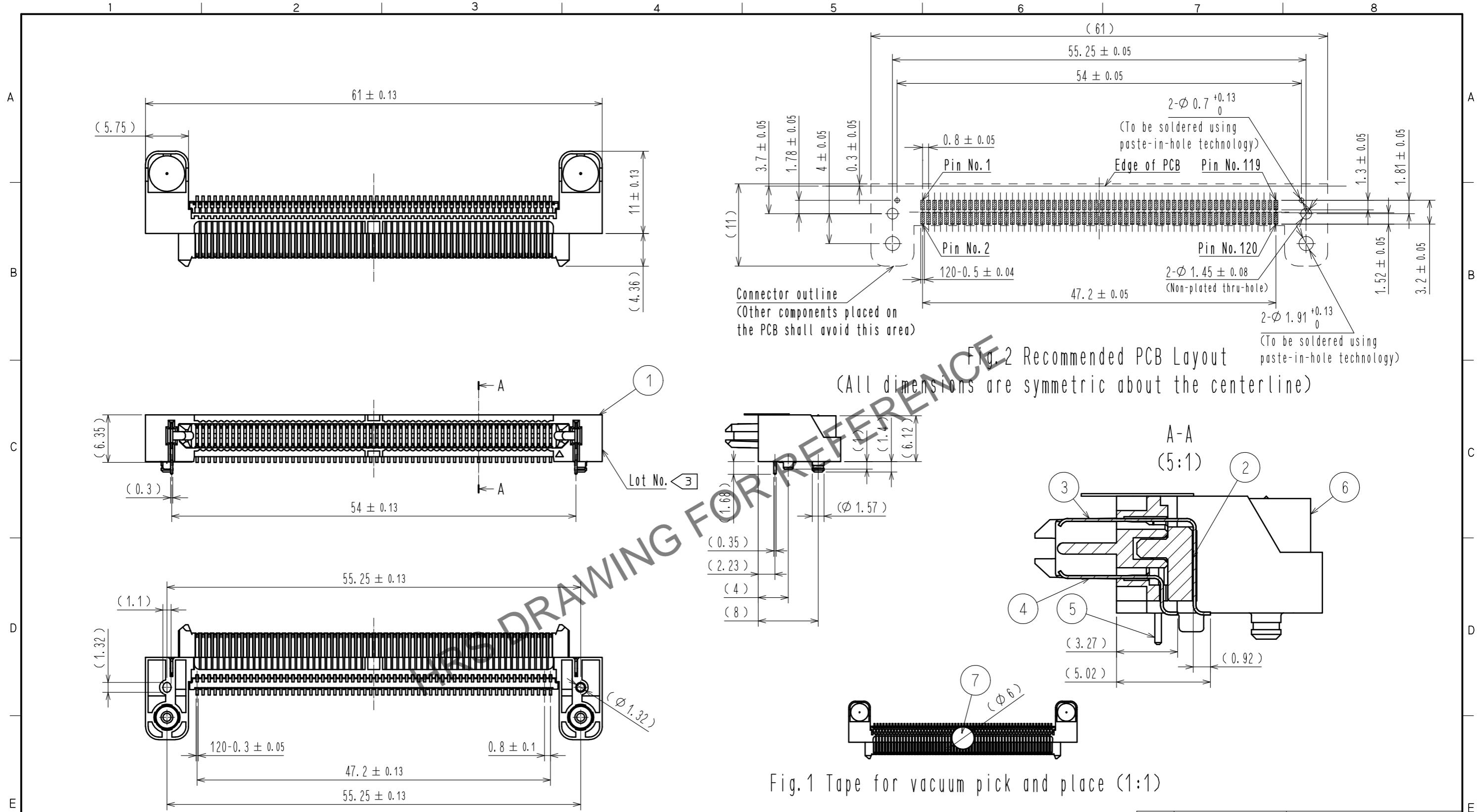


Fig.1 Tape for vacuum pick and place (1:1)

Fig.2 Recommended PCB Layout  
(All dimensions are symmetric about the centerline)

- Notes
1. Dimensions in parentheses ( ) are for reference.
  2. Packaging for this product applies embossed carrier tape packaging. 200pcs per reel. See sheet 2/2 for details.
  - 3 Lot No. shall be marked on the indicated position.
  4. Lead co-planarity of this product to be 0.15mm MAX.

7	POLYIMIDE	(TAPE FOR VACUUM PICK AND PLACE)	9	PE	(TOP COVER TAPE)		
3	COPPER ALLOY	CONTACT AREA : Ni2.54 $\mu$ m + Au0.76 $\mu$ m	8	PS	(EMBOSSED CARRIER TAPE)		
		LEAD AREA : Ni1.25 $\mu$ m + Sn3.81 $\mu$ m	6	COPPER ALLOY	Ni1.25 $\mu$ m + Sn2.54 $\mu$ m		
2	LCP	BLACK UL94V-0	5	COPPER ALLOY	Ni1.25 $\mu$ m + Sn2.54 $\mu$ m		
1	LCP	BLACK UL94V-0	4	COPPER ALLOY	CONTACT AREA : Ni2.54 $\mu$ m + Au0.76 $\mu$ m		
						LEAD AREA : Ni1.25 $\mu$ m + Sn3.81 $\mu$ m	
NO.	MATERIAL	FINISH . REMARKS	NO.	MATERIAL	FINISH . REMARKS		
UNITS mm		SCALE 2 : 1	COUNT 	DESCRIPTION OF REVISIONS	DESIGNED	CHECKED	DATE
<b>HRS</b> HIROSE ELECTRIC CO., LTD.		APPROVED : TM. MATSUO	20210611	DRAWING NO.	EDC-377829-00-00		
		CHECKED : NH. TAMAI	20210611	PART NO.	ER8-120P-0.8SH		
		DESIGNED : TF. SUGAWARA	20210611	CODE NO.	CL0625-0047-0-00		
		DRAWN : DS. HIROWATARI	20210309				

Jan.1.2025 Copyright 2025 HIROSE ELECTRIC CO., LTD. All Rights Reserved.  
 In case of consideration for using Automotive equipment / device which demand high reliability, kindly contact our sales window correspondents.

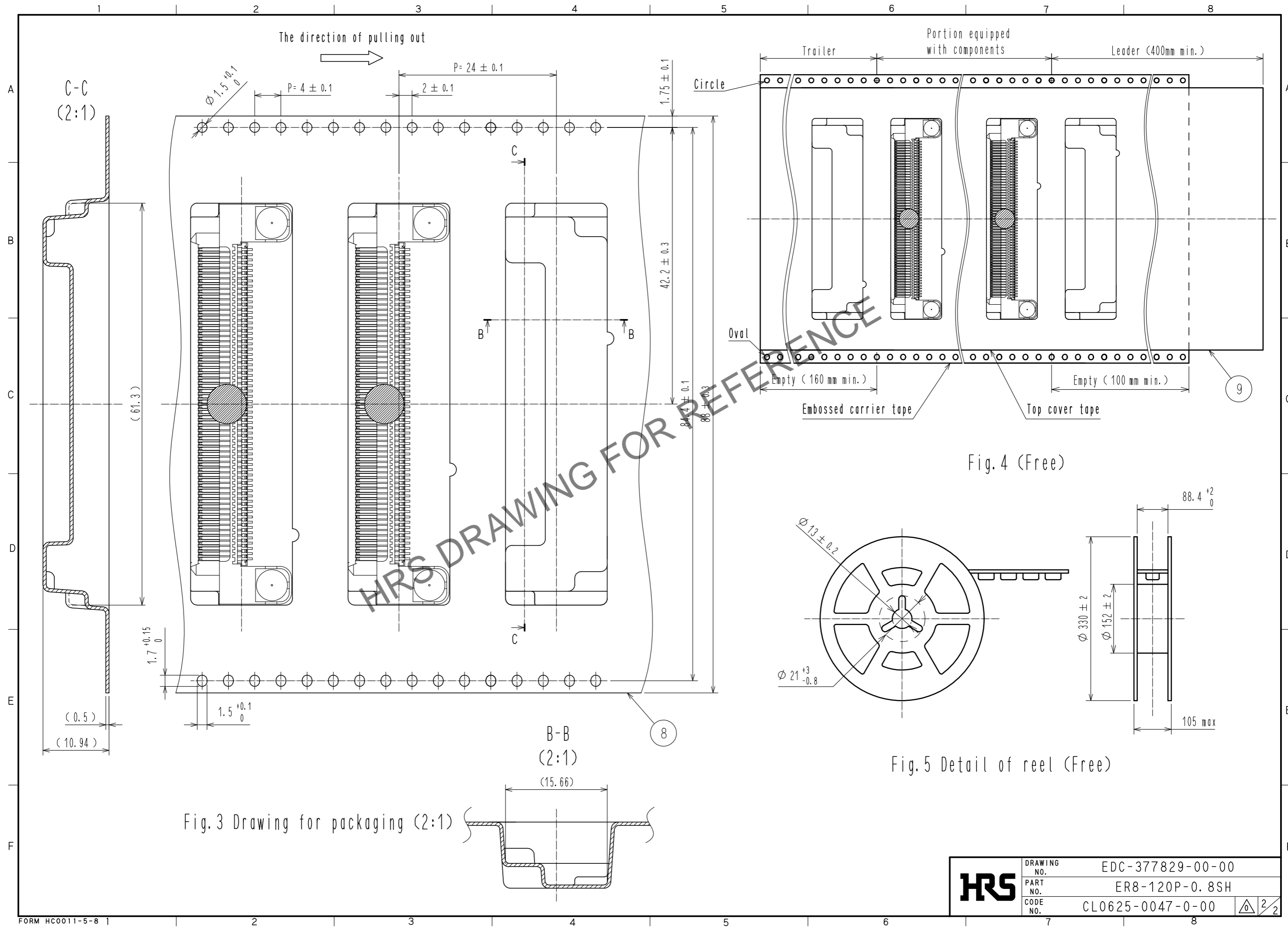


Fig.3 Drawing for packaging (2:1)

Fig.4 (Free)

Fig.5 Detail of reel (Free)

<b>HRS</b>	DRAWING NO.	EDC-377829-00-00
	PART NO.	ER8-120P-0.8SH
	CODE NO.	CL0625-0047-0-00
		2/2