

Mar.1.2025 Copyright 2025 HIROSE ELECTRIC CO., LTD. All Rights Reserved.  
In case of consideration for using Automotive equipment / device which demand high reliability, kindly contact our sales window correspondents.

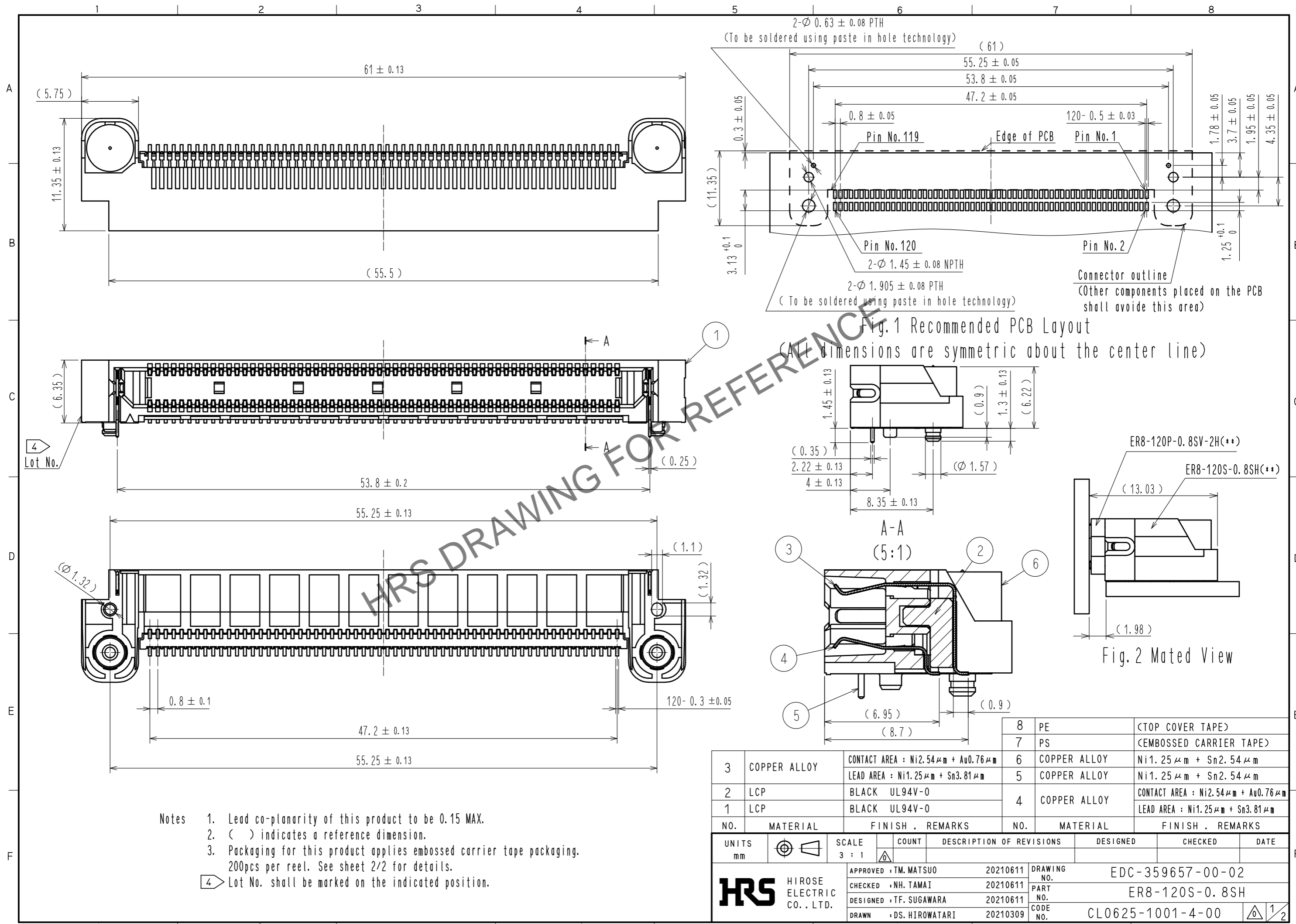
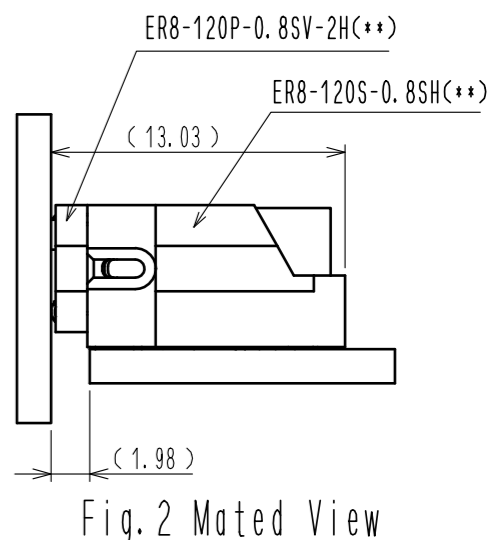


Fig.1 Recommended PCB Layout  
(All dimensions are symmetric about the center line)



- Notes
1. Lead co-planarity of this product to be 0.15 MAX.
  2. ( ) indicates a reference dimension.
  3. Packaging for this product applies embossed carrier tape packaging. 200pcs per reel. See sheet 2/2 for details.
  - 4 Lot No. shall be marked on the indicated position.

3	COPPER ALLOY	CONTACT AREA : Ni2.54 $\mu$ m + Au0.76 $\mu$ m LEAD AREA : Ni1.25 $\mu$ m + Sn3.81 $\mu$ m	6	COPPER ALLOY	Ni1.25 $\mu$ m + Sn2.54 $\mu$ m
2	LCP	BLACK UL94V-0	5	COPPER ALLOY	Ni1.25 $\mu$ m + Sn2.54 $\mu$ m
1	LCP	BLACK UL94V-0	4	COPPER ALLOY	CONTACT AREA : Ni2.54 $\mu$ m + Au0.76 $\mu$ m LEAD AREA : Ni1.25 $\mu$ m + Sn3.81 $\mu$ m
NO.	MATERIAL	FINISH . REMARKS	NO.	MATERIAL	FINISH . REMARKS

UNITS			SCALE	COUNT	DESCRIPTION OF REVISIONS	DESIGNED	CHECKED	DATE
mm			3 : 1					
APPROVED : TM. MATSUO			20210611	DRAWING NO.		EDC-359657-00-02		
CHECKED : NH. TAMAI			20210611	PART NO.		ER8-120S-0.8SH		
DESIGNED : TF. SUGAWARA			20210611	CODE NO.		CL0625-1001-4-00		
DRAWN : DS. HIROWATARI			20210309					

Mar.1.2025 Copyright 2025 HIROSE ELECTRIC CO., LTD. All Rights Reserved.  
 In case of consideration for using Automotive equipment / device which demand high reliability, kindly contact our sales window correspondents.

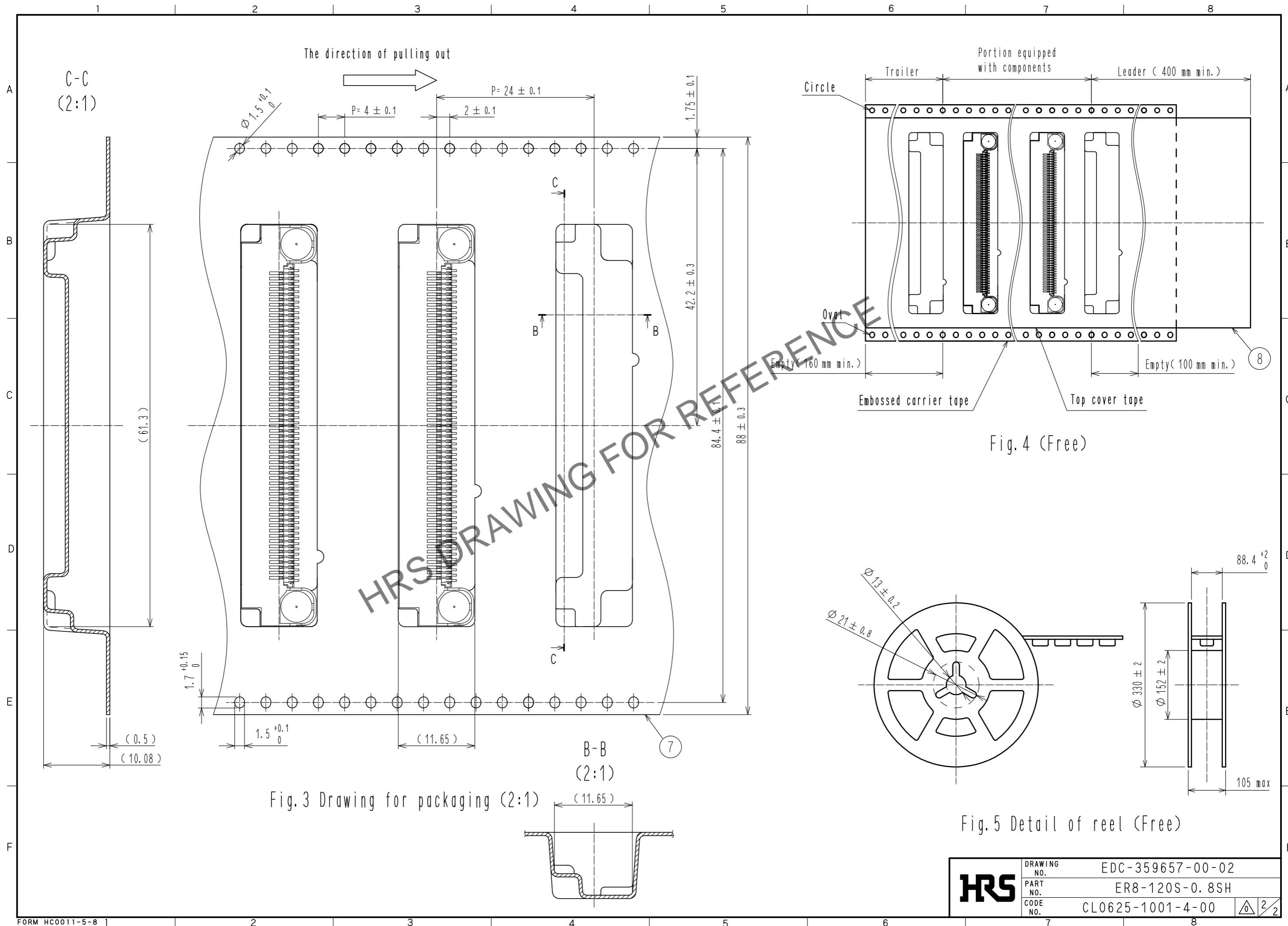


Fig. 3 Drawing for packaging (2:1)

Fig. 5 Detail of reel (Free)

<b>HRS</b>	DRAWING NO.	EDC-359657-00-02
	PART NO.	ER8-120S-0.8SH
	CODE NO.	CL0625-1001-4-00
		$\frac{2}{2}$