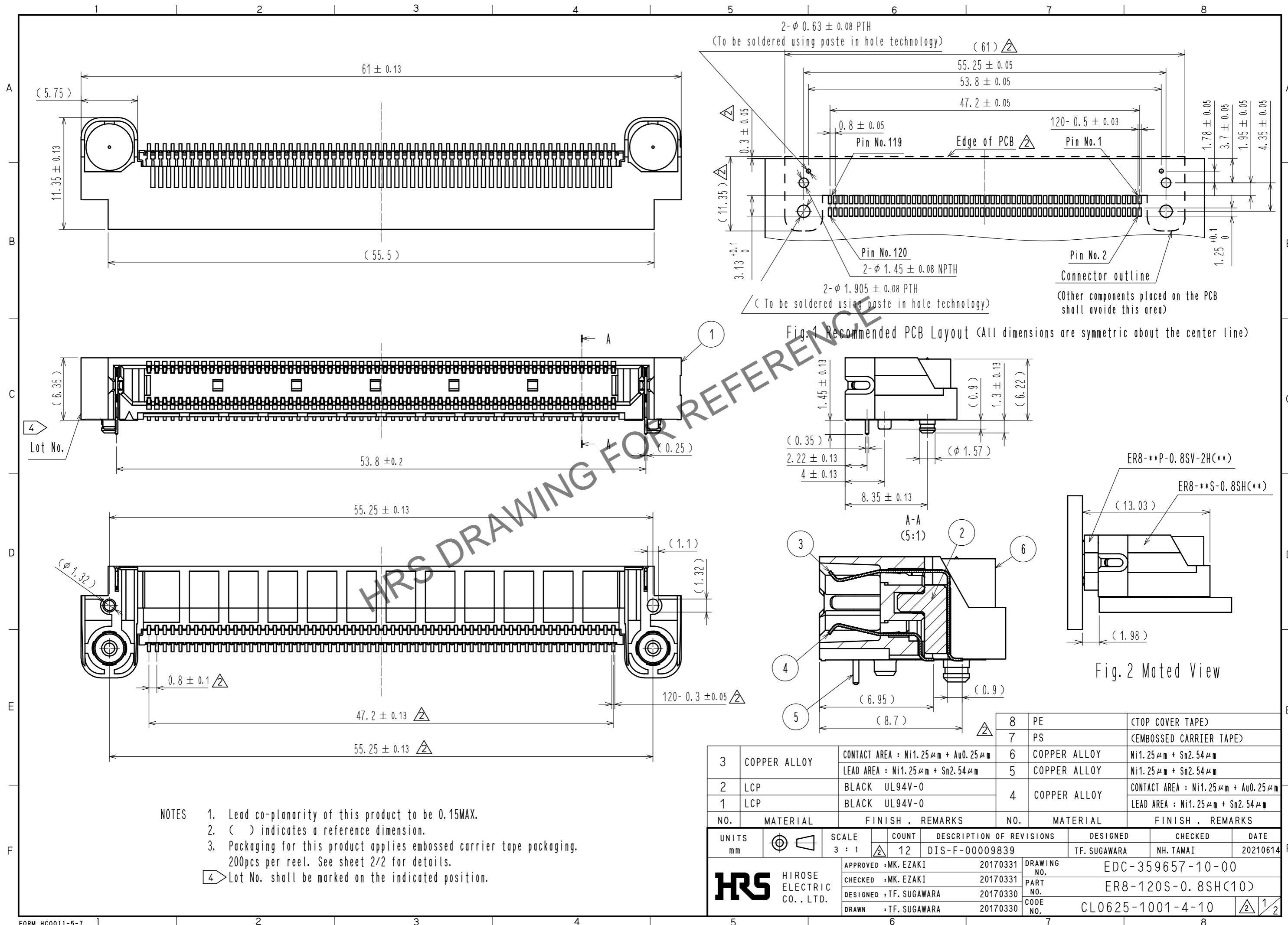


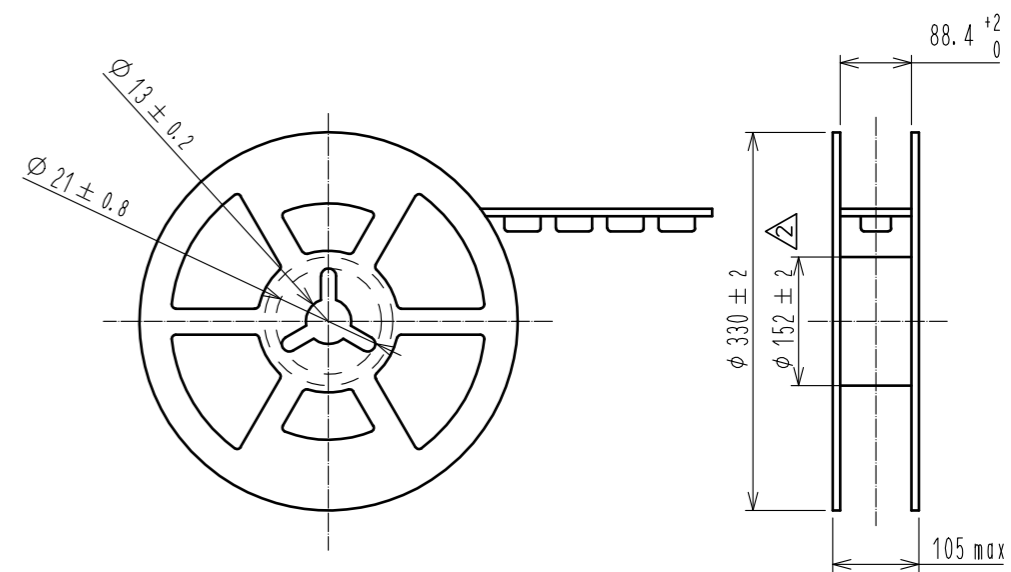
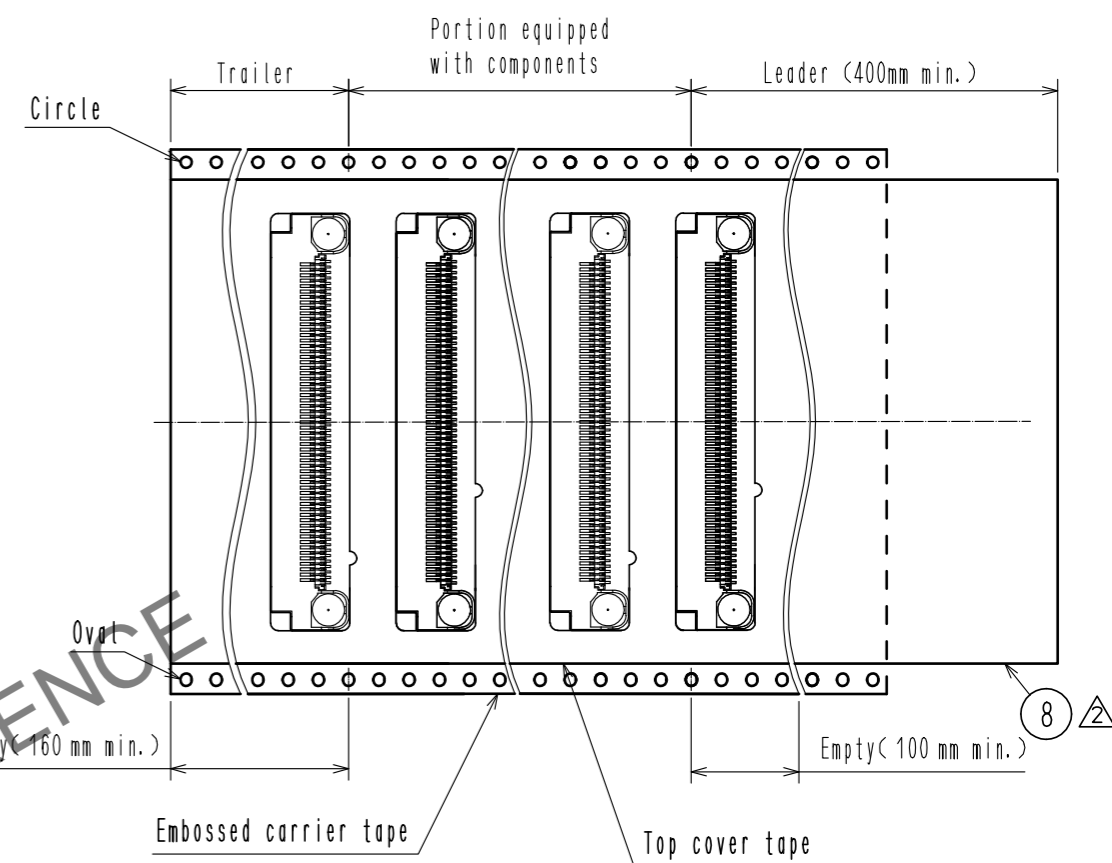
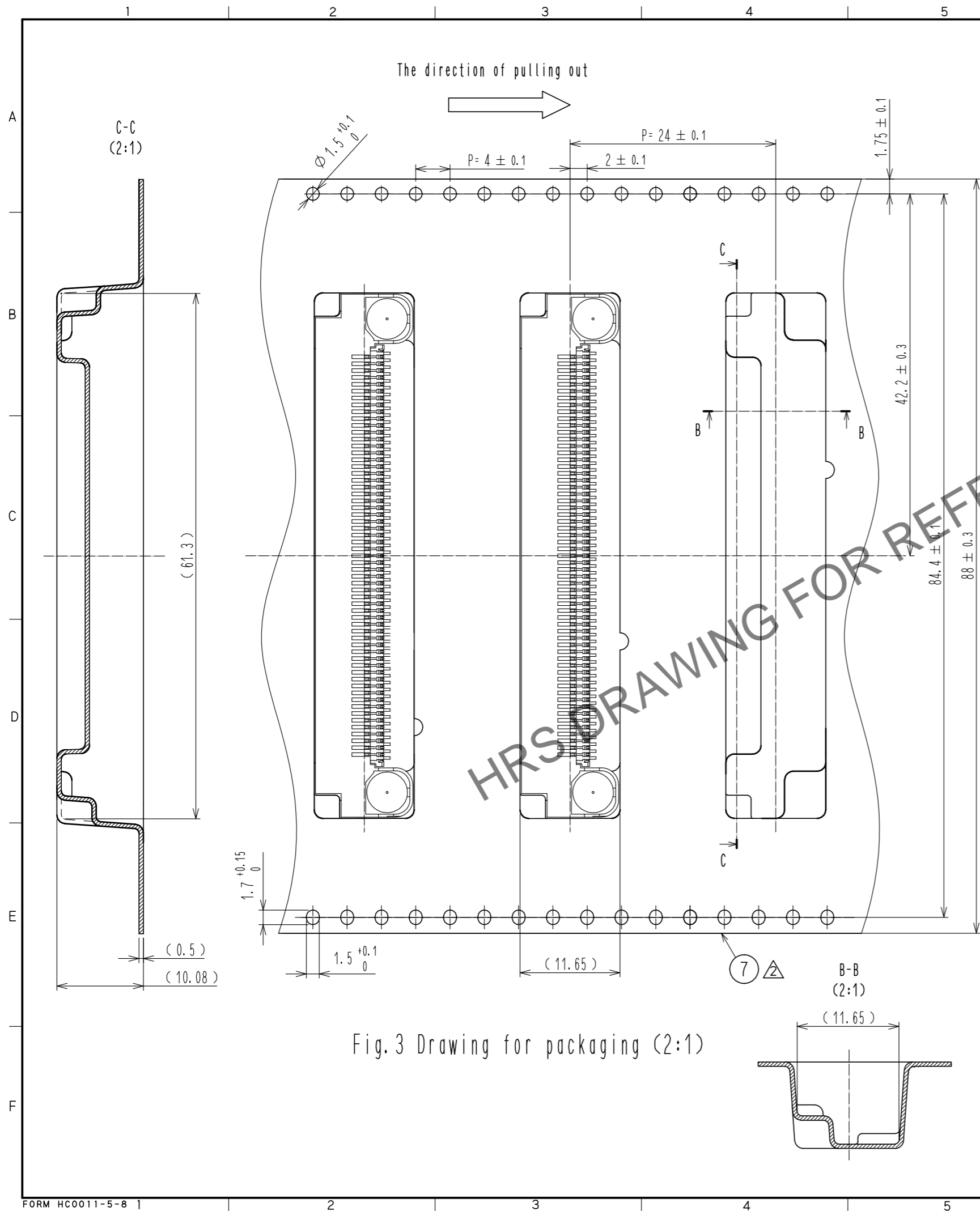
Feb.1.2025 Copyright 2025 HIROSE ELECTRIC CO., LTD. All Rights Reserved.
In case of consideration for using Automotive equipment / device which demand high reliability, kindly contact our sales window correspondents.



- NOTES
- Lead co-planarity of this product to be 0.15MAX.
 - () indicates a reference dimension.
 - Packaging for this product applies embossed carrier tape packaging. 200pcs per reel. See sheet 2/2 for details.
 - Lot No. shall be marked on the indicated position.

| | | | | | |
|----------------------------------|--------------|---|---------------|--|---|
| 3 | COPPER ALLOY | CONTACT AREA : Ni1.25μm + Au0.25μm LEAD AREA : Ni1.25μm + Sn2.54μm | 6 | COPPER ALLOY | Ni1.25μm + Sn2.54μm |
| 2 | LCP | BLACK UL94V-0 | 5 | COPPER ALLOY | Ni1.25μm + Sn2.54μm |
| 1 | LCP | BLACK UL94V-0 | 4 | COPPER ALLOY | CONTACT AREA : Ni1.25μm + Au0.25μm LEAD AREA : Ni1.25μm + Sn2.54μm |
| NO. | MATERIAL | FINISH . REMARKS | NO. | MATERIAL | FINISH . REMARKS |
| 8 | PE | (TOP COVER TAPE) | 8 | PE | (TOP COVER TAPE) |
| 7 | PS | (EMBOSSED CARRIER TAPE) | 7 | PS | (EMBOSSED CARRIER TAPE) |
| UNITS mm | | SCALE 3 : 1 | COUNT △ 12 | DESCRIPTION OF REVISIONS DIS-F-00009839 | |
| DESIGNED TF. SUGAWARA | | CHECKED NH. TAMAI | | DATE 20210614 | |
| APPROVED : MK. EZAKI 20170331 | | DRAWING NO. EDC-359657-10-00 | | PART NO. ER8-120S-0.8SH(10) | |
| CHECKED : MK. EZAKI 20170331 | | DESIGNED : TF. SUGAWARA 20170330 | | CODE NO. CL0625-1001-4-10 | |
| DRAWN : TF. SUGAWARA 20170330 | | | | 1/2 | |

Feb.1.2025 Copyright 2025 HIROSE ELECTRIC CO., LTD. All Rights Reserved.
 In case of consideration for using Automotive equipment / device which demand high reliability, kindly contact our sales window correspondents.



| | | |
|------------|-------------|--------------------|
| HRS | DRAWING NO. | EDC-359657-10-00 |
| | PART NO. | ER8-120S-0.8SH(10) |
| | CODE NO. | CL0625-1001-4-10 |
| | | △ 2/2 |