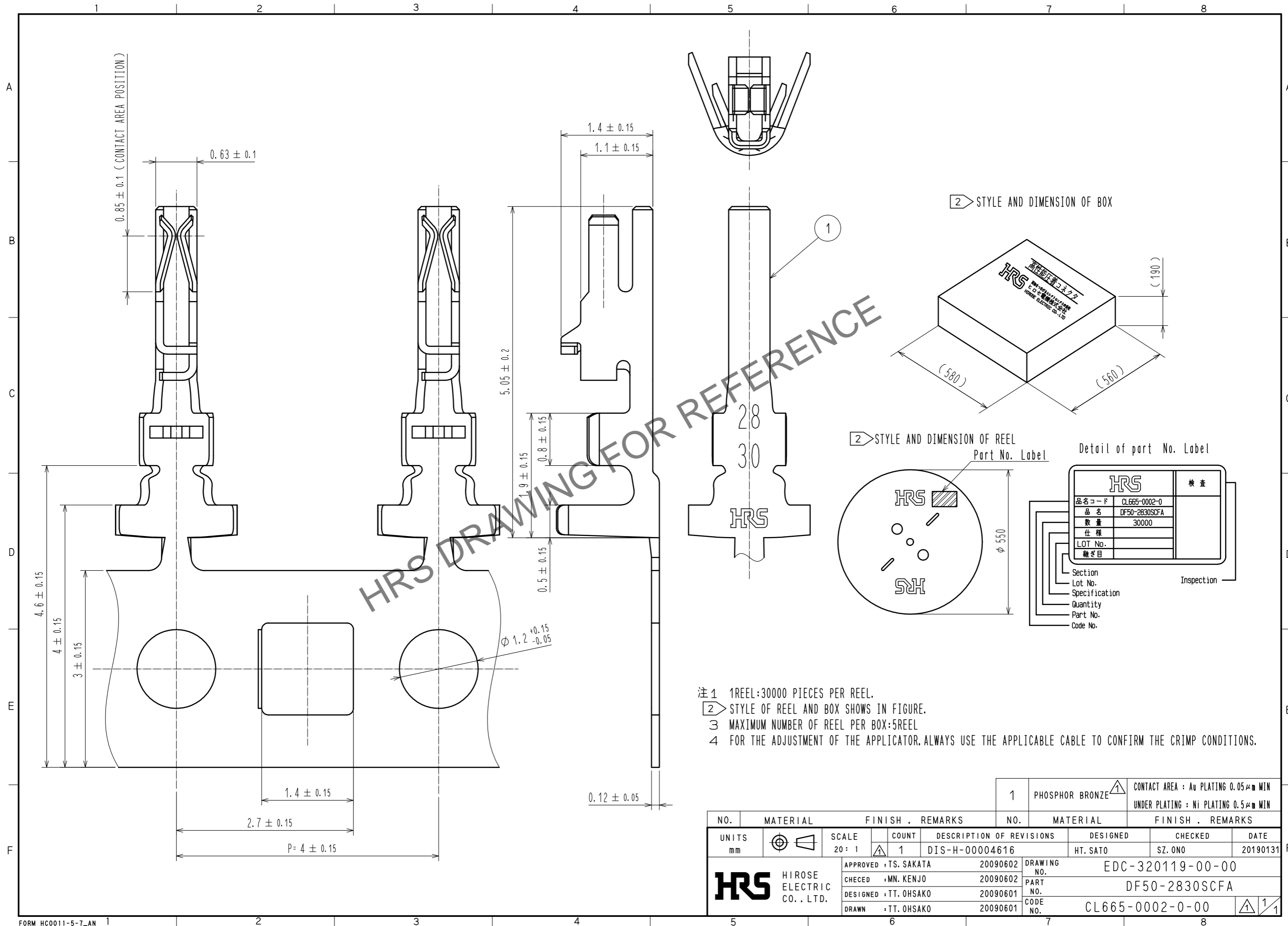
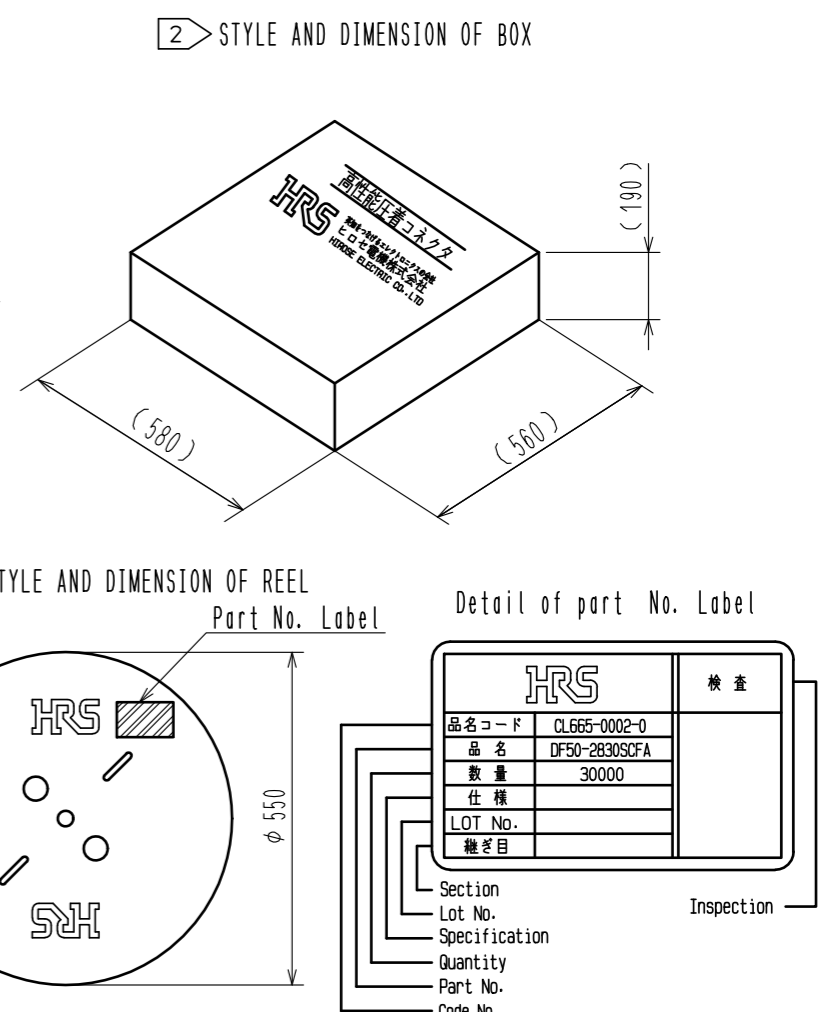


Jan.1.2025 Copyright 2025 HIROSE ELECTRIC CO., LTD. All Rights Reserved.
In case of consideration for using Automotive equipment / device which demand high reliability, kindly contact our sales window correspondents.



- 注1 1REEL:30000 PIECES PER REEL.
 注2 STYLE OF REEL AND BOX SHOWS IN FIGURE.
 注3 MAXIMUM NUMBER OF REEL PER BOX:5REEL
 注4 FOR THE ADJUSTMENT OF THE APPLICATOR, ALWAYS USE THE APPLICABLE CABLE TO CONFIRM THE CRIMP CONDITIONS.



NO.	MATERIAL	FINISH	REMARKS	NO.	MATERIAL	FINISH	REMARKS
				1	PHOSPHOR BRONZE		CONTACT AREA : Au PLATING 0.05μm MIN UNDER PLATING : Ni PLATING 0.5μm MIN
UNITS	SCALE	COUNT	DESCRIPTION OF REVISIONS	DESIGNED	CHECKED	DATE	
mm	20:1	1	DIS-H-00004616	HT. SATO	SZ. ONO	20190131	
APPROVED : TS. SAKATA		20090602	DRAWING NO.		EDC-320119-00-00		
CHECKED : MN. KENJO		20090602	PART NO.		DF50-2830SCFA		
DESIGNED : TT. OHSAKO		20090601	CODE NO.		CL665-0002-0-00		
DRAWN : TT. OHSAKO		20090601					