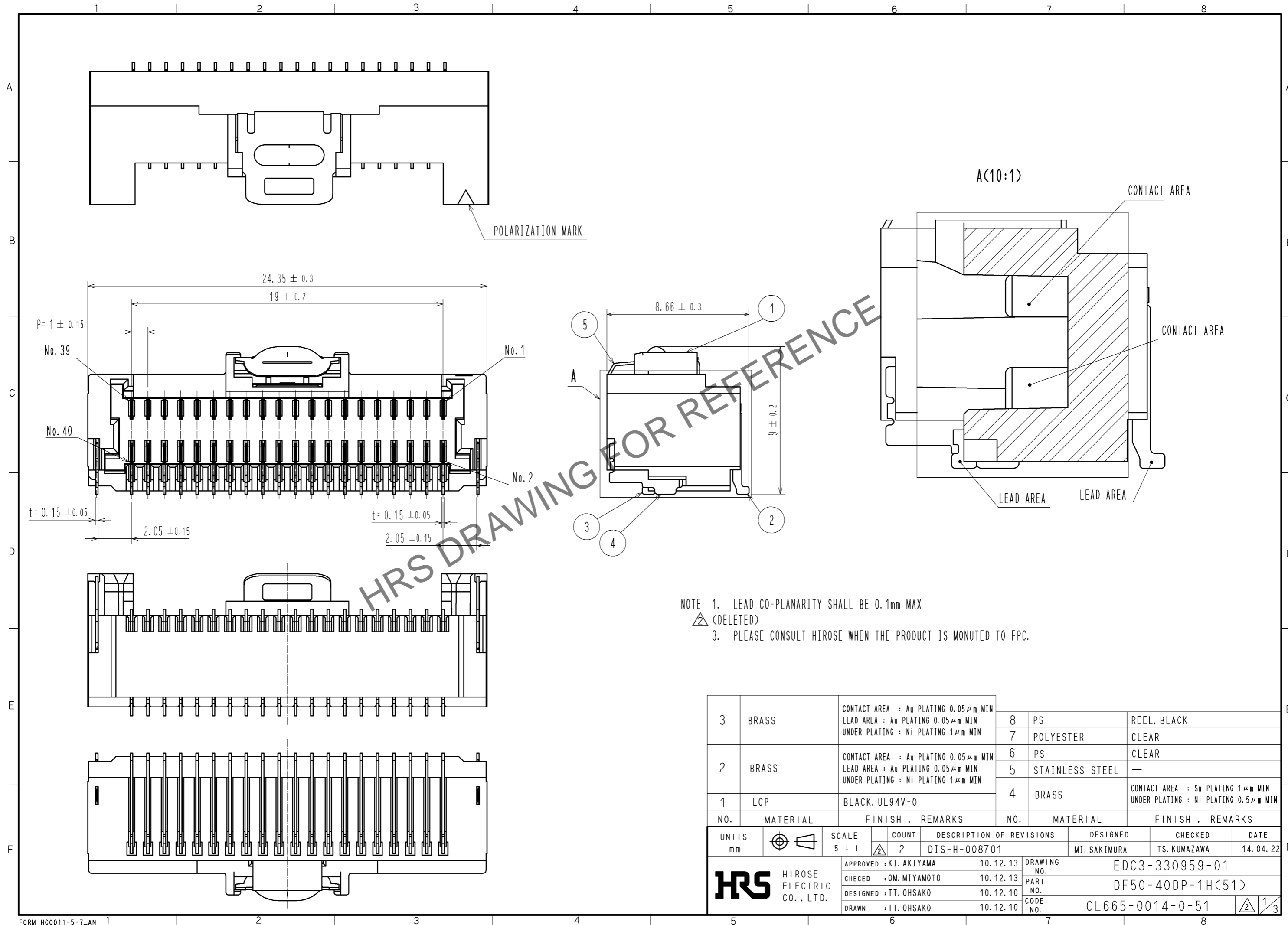


Jan.1.2025 Copyright 2025 HIROSE ELECTRIC CO., LTD. All Rights Reserved.  
In case of consideration for using Automotive equipment / device which demand high reliability, kindly contact our sales window correspondents.

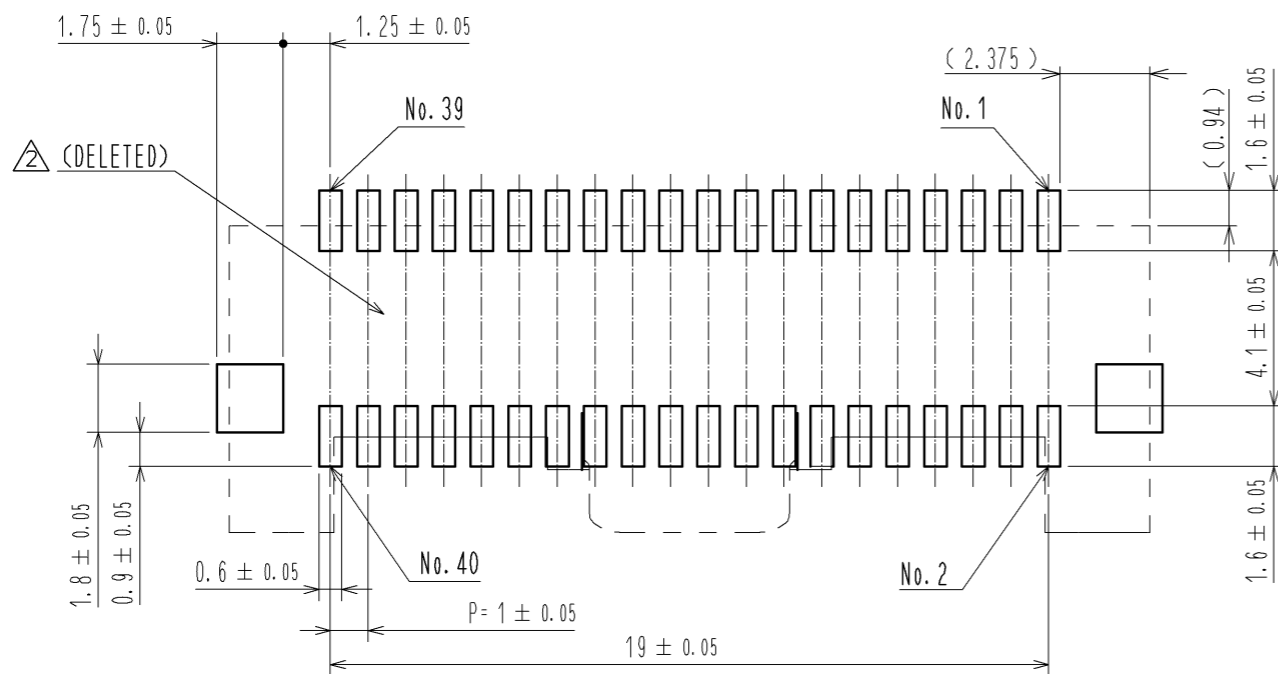


NOTE 1. LEAD CO-PLANARITY SHALL BE 0.1mm MAX  
 2. (DELETED)  
 3. PLEASE CONSULT HIROSE WHEN THE PRODUCT IS MONUTED TO FPC.

3	BRASS	CONTACT AREA : Au PLATING 0.05 μm MIN LEAD AREA : Au PLATING 0.05 μm MIN UNDER PLATING : Ni PLATING 1 μm MIN	8	PS	REEL, BLACK
2	BRASS	CONTACT AREA : Au PLATING 0.05 μm MIN LEAD AREA : Au PLATING 0.05 μm MIN UNDER PLATING : Ni PLATING 1 μm MIN	7	POLYESTER	CLEAR
1	LCP	BLACK, UL94V-0	6	PS	CLEAR
			5	STAINLESS STEEL	—
			4	BRASS	CONTACT AREA : Sn PLATING 1 μm MIN UNDER PLATING : Ni PLATING 0.5 μm MIN
NO.	MATERIAL	FINISH, REMARKS	NO.	MATERIAL	FINISH, REMARKS
UNITS	mm	SCALE	5 : 1	COUNT	2
DESCRIPTION OF REVISIONS			DESIGNED	MI. SAKIMURA	DATE
DIS-H-008701			CHECKED	TS. KUMAZAWA	14. 04. 22
APPROVED : KI. AKIYAMA 10. 12. 13			DRAWING NO. EDC3-330959-01		
CHECKED : OM. MIYAMOTO 10. 12. 13			PART NO. DF50-40DP-1H(51)		
DESIGNED : TT. OHSAKO 10. 12. 10			CODE NO. CL665-0014-0-51		
DRAWN : TT. OHSAKO 10. 12. 10			1/3		

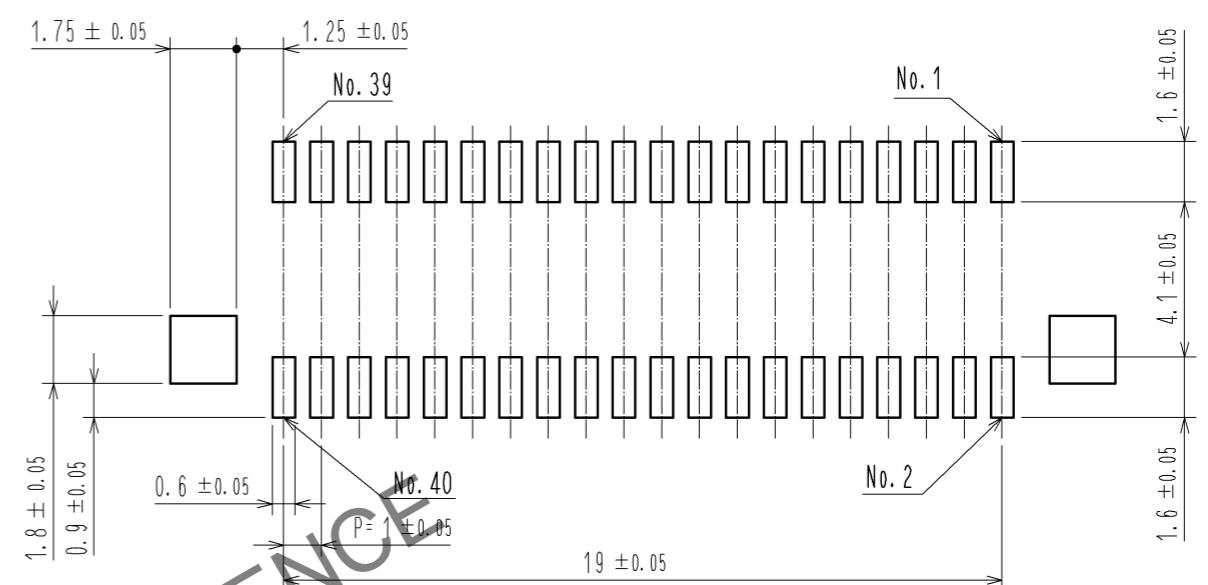
Jan.1.2025 Copyright 2025 HIROSE ELECTRIC CO., LTD. All Rights Reserved.  
 In case of consideration for using Automotive equipment / device which demand high reliability, kindly contact our sales window correspondents.

RECOMMENDED PCB LAYOUT  
 (MOUNTING SURFACE SIDE) (FREE)



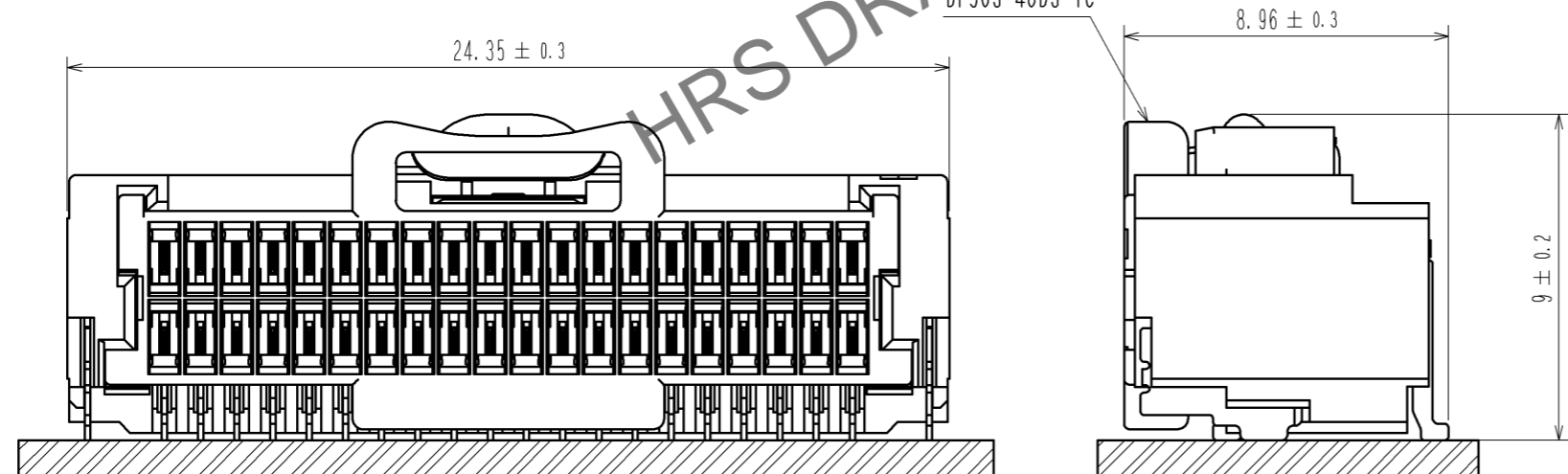
RECOMMENDED METAL MASK (FREE)

THICKNESS : 0.1mm  
 OPEN AREA RATIO:100%

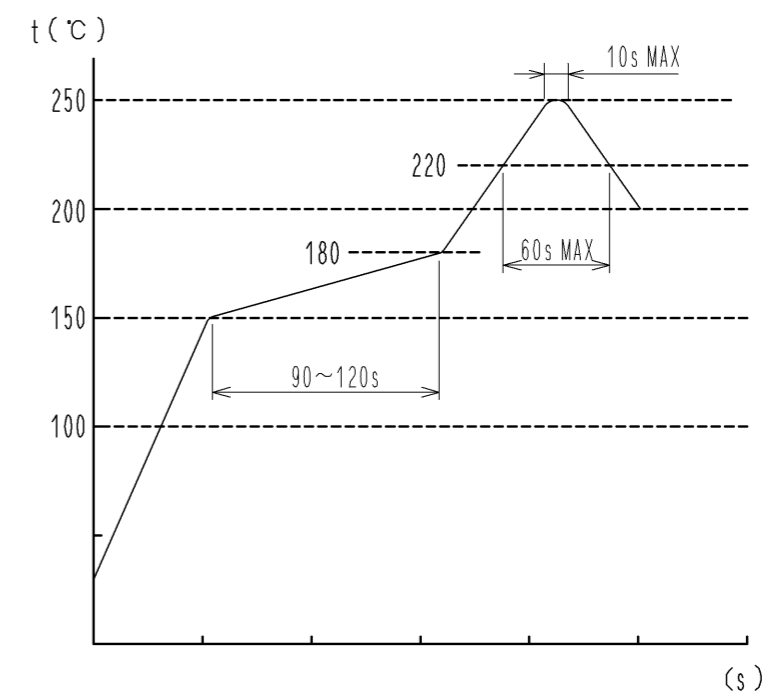


MATING FIGURE (5 : 1)

DF50S-40DS-1C



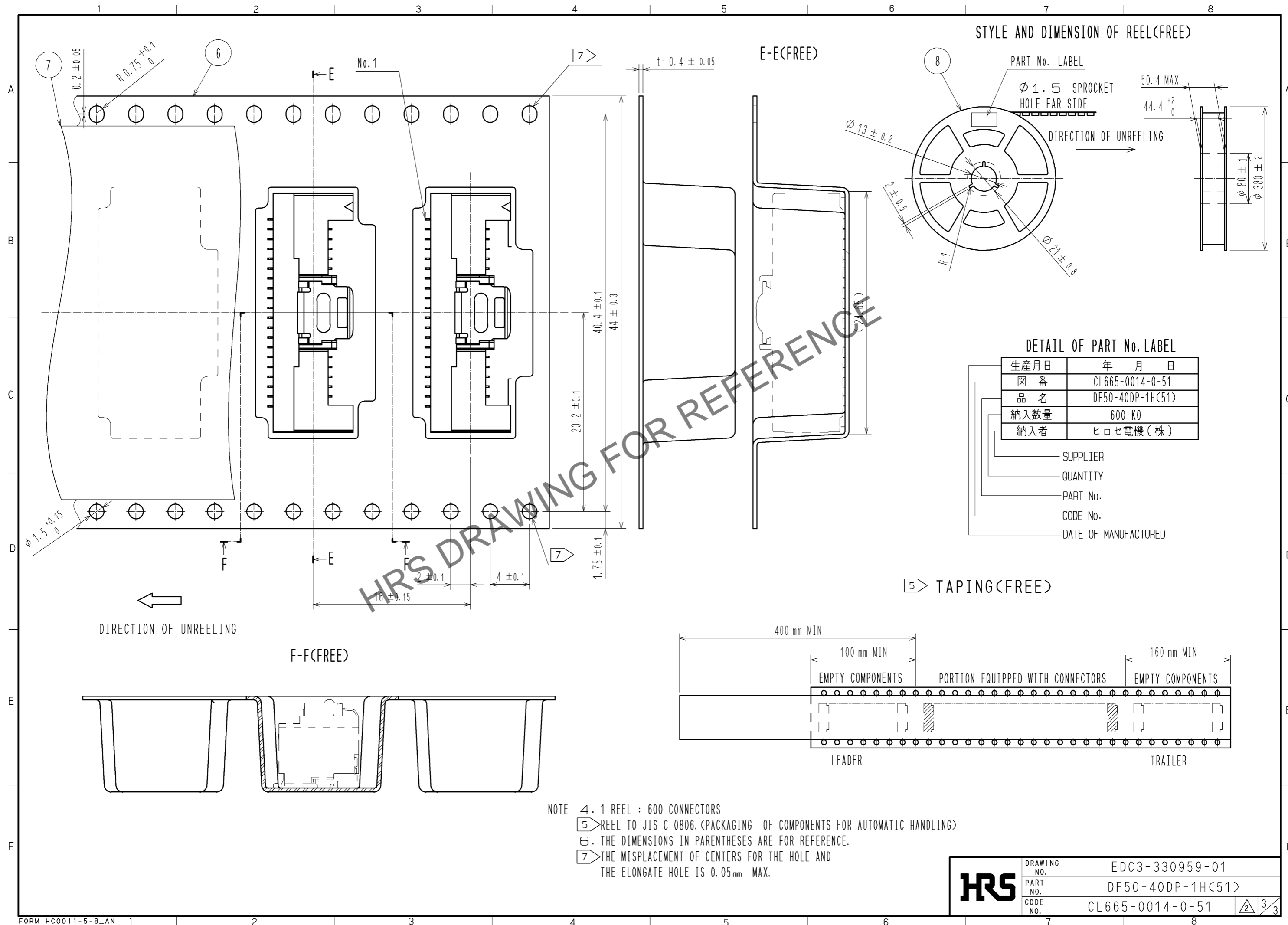
REFLOW TEMPERATURE PROFILE USING LEAD-FREE SOLDER PASTE (REFERENCE)



NUMBER OF REFLOW CYCLES 2 CYCLES MAX.  
 THE TEMPERATURE IS MEASURED IN THE TERMINAL LEAD PART.  
 ADDITIONAL FACTORS, SUCH AS SOLDER PASTE TYPE,  
 PCB SIZE AND OTHER MOUNTED COMPONENTS COULD AFFECT  
 THE PROFILE. THEREFORE, A THOROUGH EVALUATION OF  
 MOUNTING CONDITION IS REQUIRED PRIOR TO PRODUCTION.  
 TEMPERATURE IS MEASURED AT CONTACT LEAD.

<b>HRS</b>	DRAWING NO.	EDC3-330959-01
	PART NO.	DF50-40DP-1H(51)
	CODE NO.	CL665-0014-0-51
		2/3

Jan.1.2025 Copyright 2025 HIROSE ELECTRIC CO., LTD. All Rights Reserved.  
In case of consideration for using Automotive equipment / device which demand high reliability, kindly contact our sales window correspondents.



<b>HRS</b>	DRAWING NO.	EDC3-330959-01	3/3
	PART NO.	DF50-40DP-1H(51)	
	CODE NO.	CL665-0014-0-51	