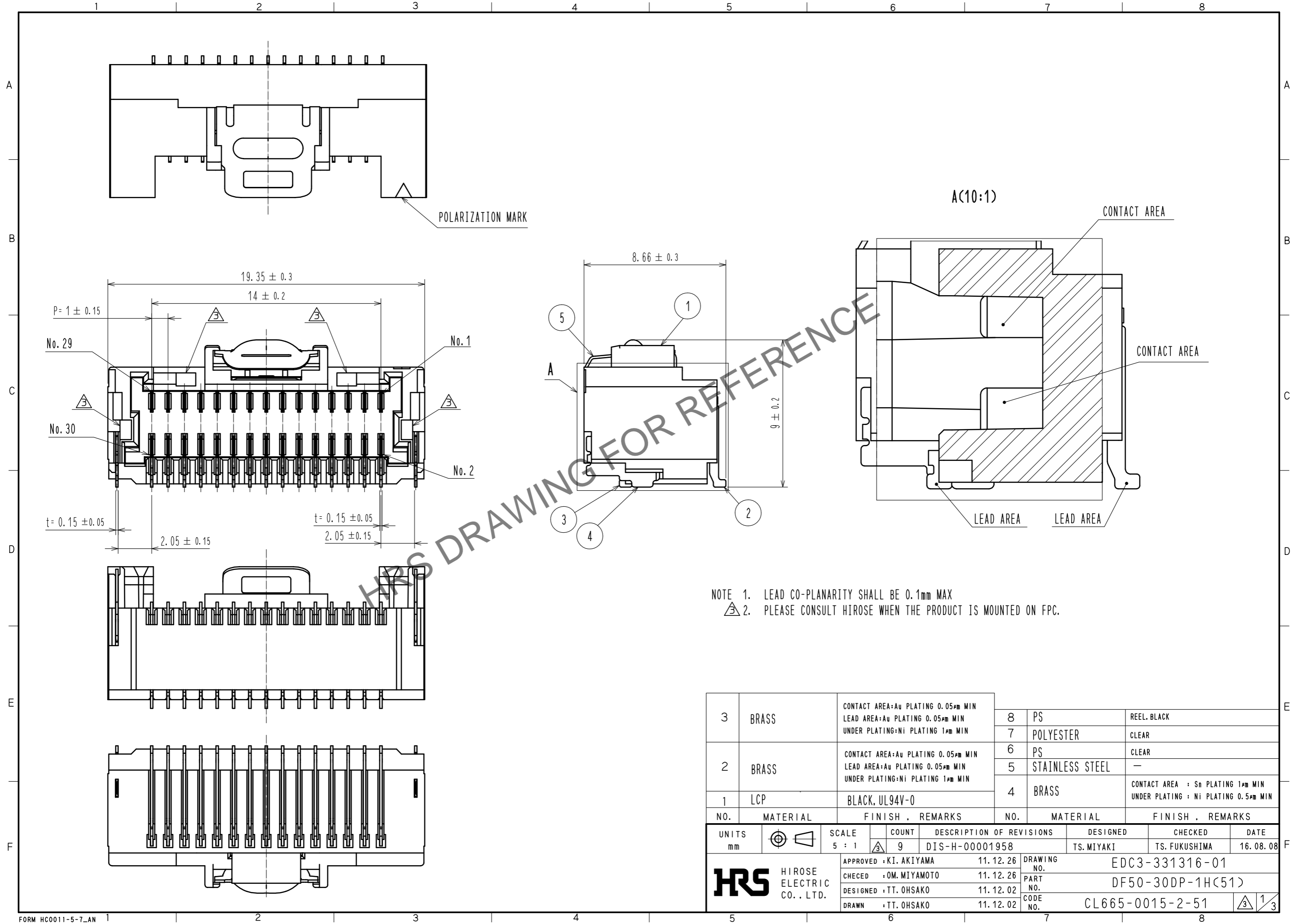


Jan.1.2025 Copyright 2025 HIROSE ELECTRIC CO., LTD. All Rights Reserved.
In case of consideration for using Automotive equipment / device which demand high reliability, kindly contact our sales window correspondents.

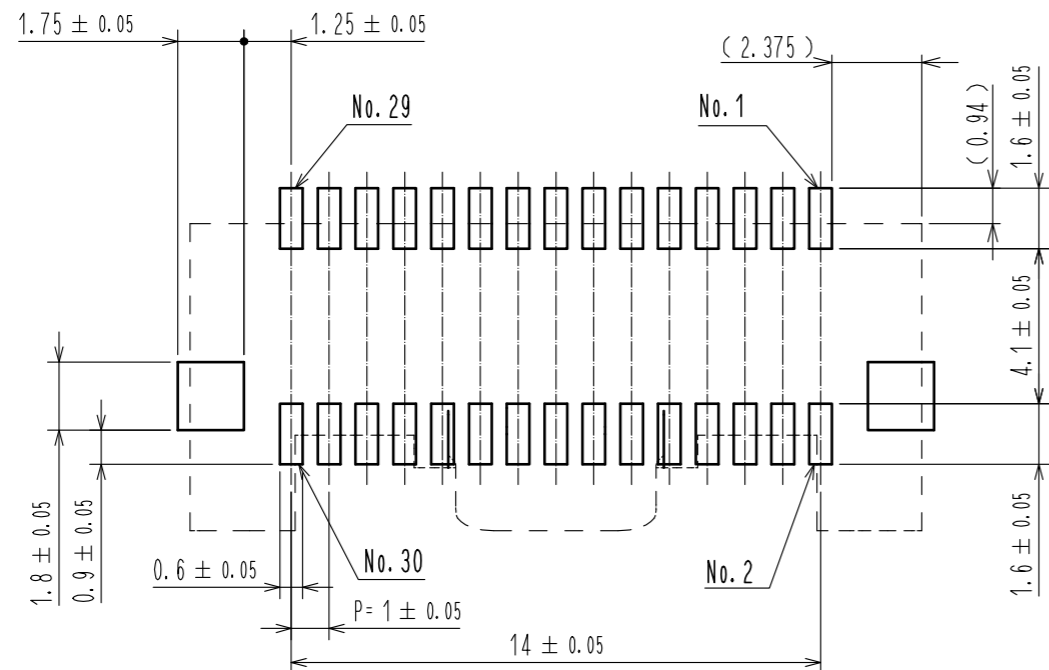


NOTE 1. LEAD CO-PLANARITY SHALL BE 0.1mm MAX
 2. PLEASE CONSULT HIROSE WHEN THE PRODUCT IS MOUNTED ON FPC.

3	BRASS	CONTACT AREA: Au PLATING 0.05µm MIN LEAD AREA: Au PLATING 0.05µm MIN UNDER PLATING: Ni PLATING 1µm MIN	8	PS	REEL BLACK
2	BRASS	CONTACT AREA: Au PLATING 0.05µm MIN LEAD AREA: Au PLATING 0.05µm MIN UNDER PLATING: Ni PLATING 1µm MIN	7	POLYESTER	CLEAR
1	LCP	BLACK, UL94V-0	6	PS	CLEAR
			5	STAINLESS STEEL	—
			4	BRASS	CONTACT AREA : Sn PLATING 1µm MIN UNDER PLATING : Ni PLATING 0.5µm MIN
NO.	MATERIAL	FINISH . REMARKS	NO.	MATERIAL	FINISH . REMARKS
UNITS		SCALE	COUNT	DESCRIPTION OF REVISIONS	
mm		5 : 1	9	DIS-H-00001958	
APPROVED : KI. AKIYAMA 11.12.26			DESIGNED	TS. MIYAKI	
CHECKED : OM. MIYAMOTO 11.12.26			CHECKED	TS. FUKUSHIMA	
DESIGNED : TT. OHSAKO 11.12.02			DATE	16.08.08	
DRAWN : TT. OHSAKO 11.12.02			DRAWING NO. EDC3-331316-01		
			PART NO. DF50-30DP-1H(51)		
HIROSE ELECTRIC CO., LTD.			CODE NO. CL665-0015-2-51		
			1/3		

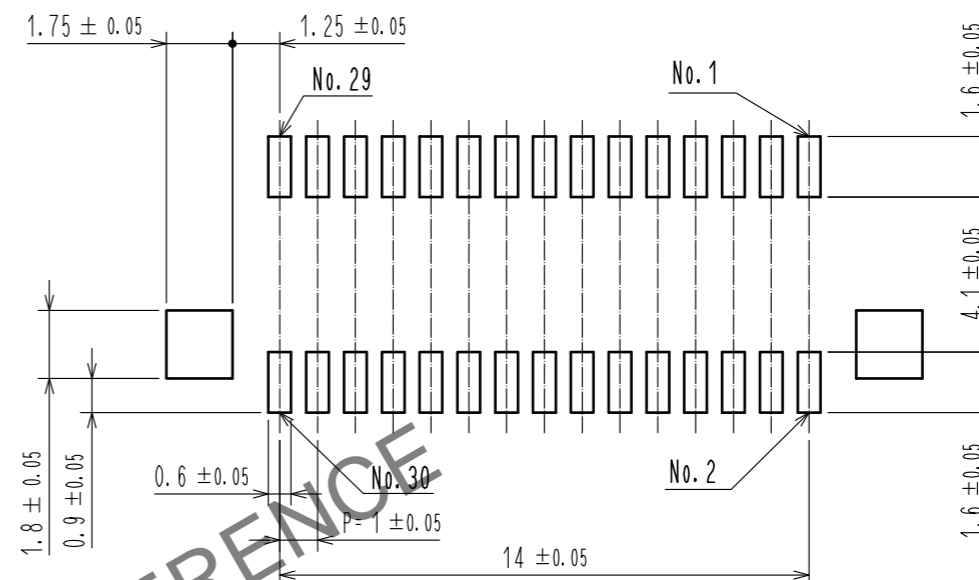
Jan.1.2025 Copyright 2025 HIROSE ELECTRIC CO., LTD. All Rights Reserved.
In case of consideration for using Automotive equipment / device which demand high reliability, kindly contact our sales window correspondents.

RECOMMENDED PCB LAYOUT
(MOUNTING SURFACE SIDE) (FREE)

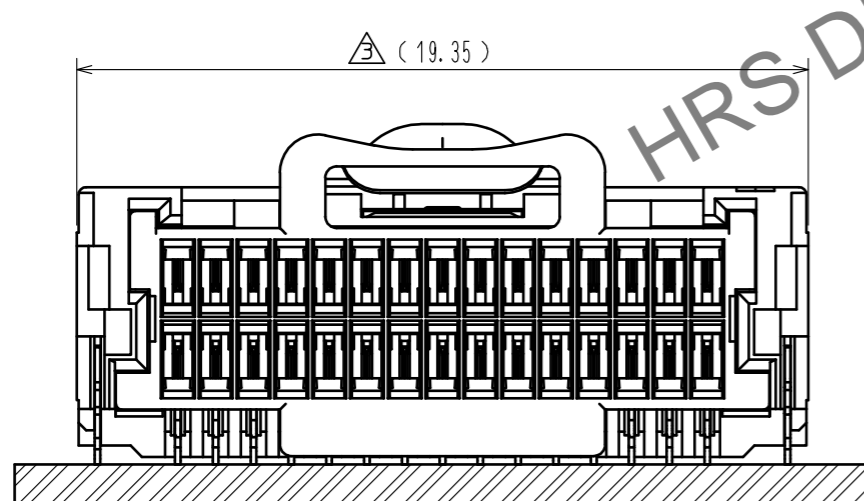


RECOMMENDED METAL MASK (FREE)

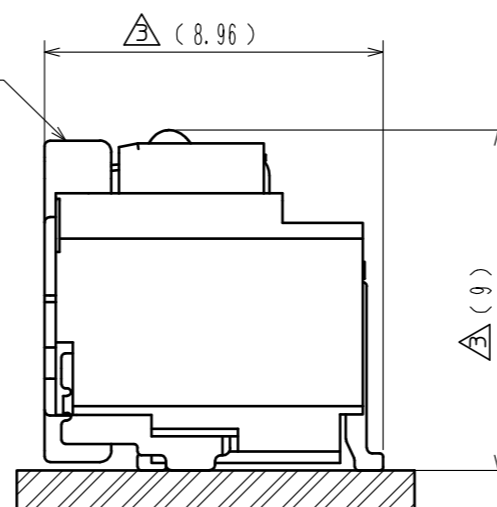
THICKNESS : 0.1mm
OPEN AREA RATIO:100%



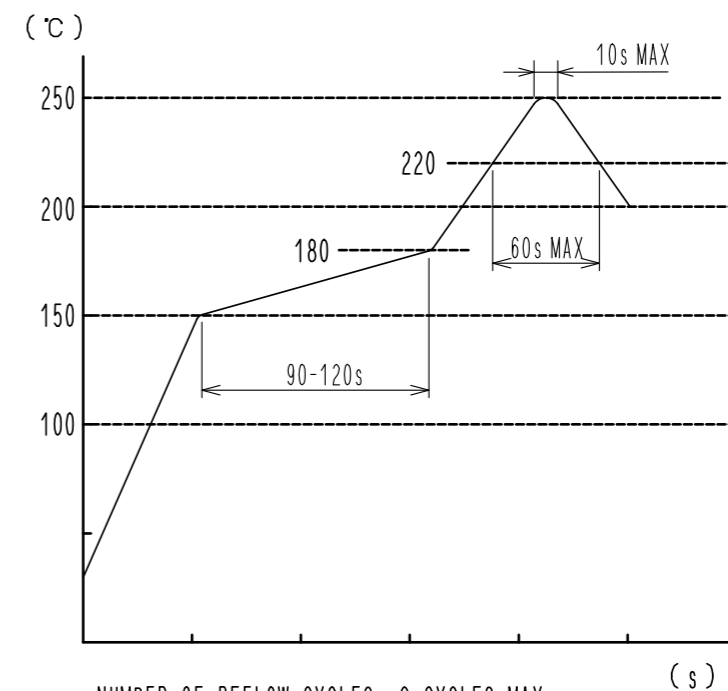
MATING FIGURE (5 : 1)



DF50S-30DS-1C



REFLOW TEMPERATURE PROFILE USING LEAD-FREE SOLDER PASTE (REFERENCE)

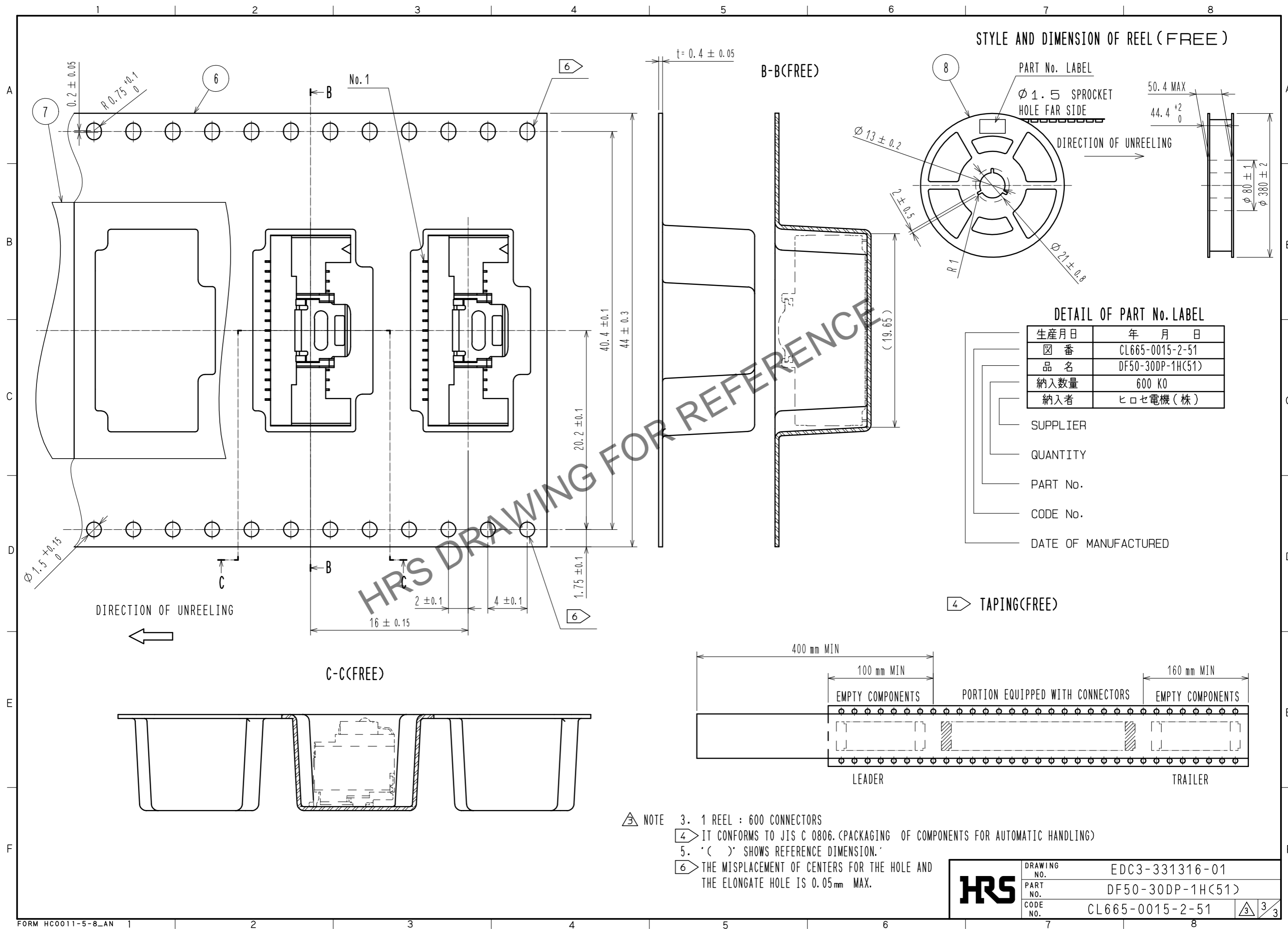


NUMBER OF REFLOW CYCLES: 2 CYCLES MAX.
THE TEMPERATURE OF THIS PROFILE IS MEASURED ON THE LEAD TERMINAL.

WE RECOMMEND PERFORMING AN EVALUATION UNDER THE MOUNTING CONDITIONS YOU WILL BE USING BECAUSE IT COULD BE AFFECTED BY ANY CONDITION:TYPE OF SOLDER PASTE, SIZE OF PCB, MOUNTING MATERIAL etc..

HRS	DRAWING NO.	EDC3-331316-01
	PART NO.	DF50-30DP-1H(51)
	CODE NO.	CL665-0015-2-51
		3/2

Jan.1.2025 Copyright 2025 HIROSE ELECTRIC CO., LTD. All Rights Reserved.
In case of consideration for using Automotive equipment / device which demand high reliability, kindly contact our sales window correspondents.



DRAWING NO.	EDC3-331316-01
PART NO.	DF50-30DP-1H(51)
CODE NO.	CL665-0015-2-51

3/3