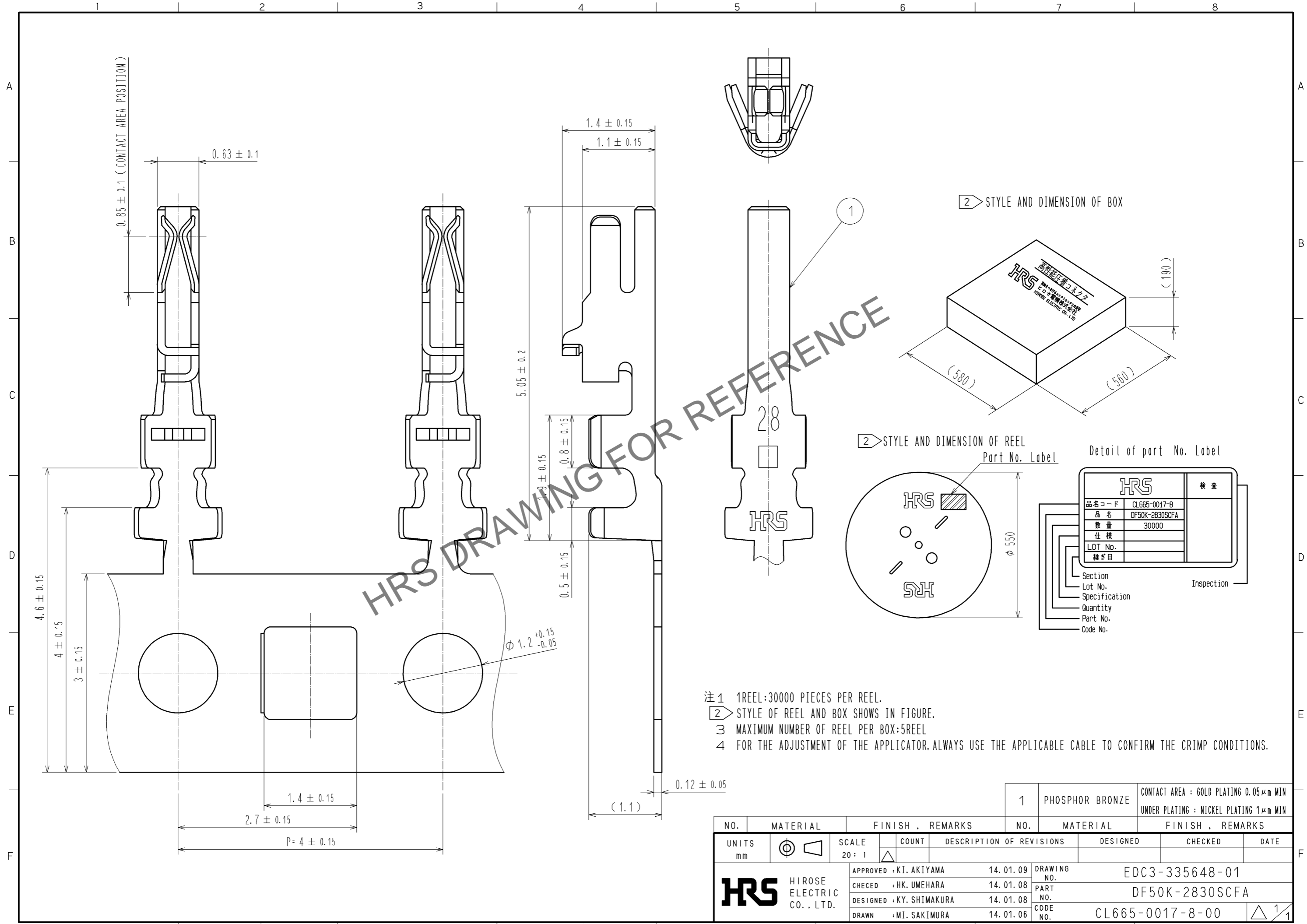
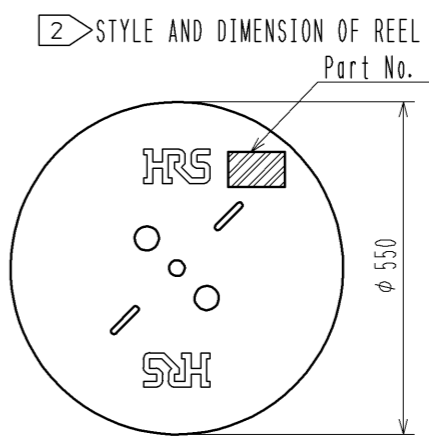
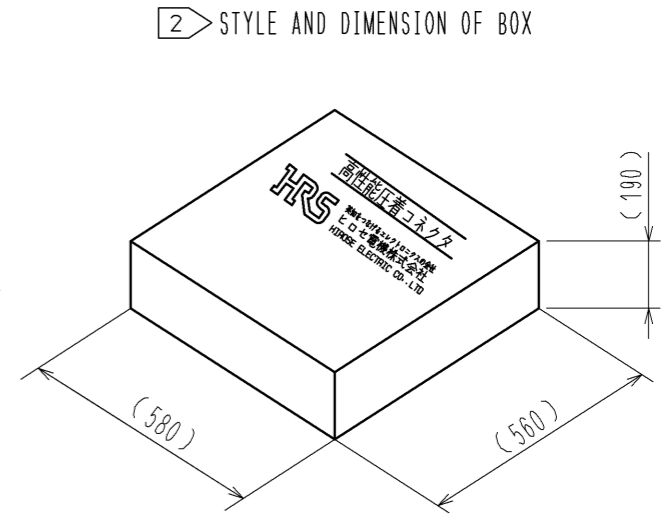


Jan.1.2025 Copyright 2025 HIROSE ELECTRIC CO., LTD. All Rights Reserved.
 In case of consideration for using Automotive equipment / device which demand high reliability, kindly contact our sales window correspondents.



- 注1 1REEL:30000 PIECES PER REEL.
 注2 STYLE OF REEL AND BOX SHOWS IN FIGURE.
 注3 MAXIMUM NUMBER OF REEL PER BOX:5REEL
 注4 FOR THE ADJUSTMENT OF THE APPLICATOR, ALWAYS USE THE APPLICABLE CABLE TO CONFIRM THE CRIMP CONDITIONS.



Detail of part No. Label

HRS		検査
品名コード	CL665-0017-8	
品名	DF50K-2830SCFA	
数量	30000	
仕様		
LOT No.		
継ぎ目		

Section
 Lot No.
 Specification
 Quantity
 Part No.
 Code No.

Inspection

NO.	MATERIAL	FINISH . REMARKS	NO.	MATERIAL	FINISH . REMARKS		
			1	PHOSPHOR BRONZE	CONTACT AREA : GOLD PLATING 0.05μm MIN UNDER PLATING : NICKEL PLATING 1μm MIN		
UNITS mm		SCALE 20 : 1	COUNT △	DESCRIPTION OF REVISIONS	DESIGNED	CHECKED	DATE
HRS HIROSE ELECTRIC CO., LTD.		APPROVED : KI. AKIYAMA	14. 01. 09	DRAWING NO.	EDC3-335648-01		
		CHECED : HK. UMEHARA	14. 01. 08	PART NO.	DF50K-2830SCFA		
		DESIGNED : KY. SHIMAKURA	14. 01. 08	CODE NO.	CL665-0017-8-00		
		DRAWN : MI. SAKIMURA	14. 01. 06		△ 1/1		