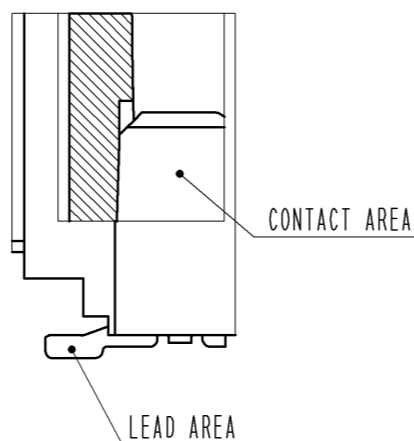
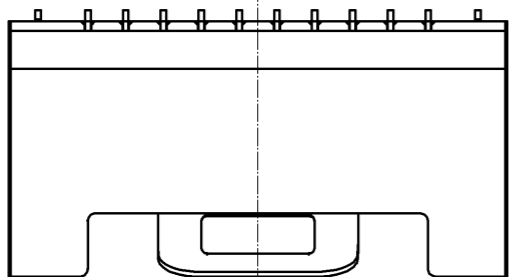
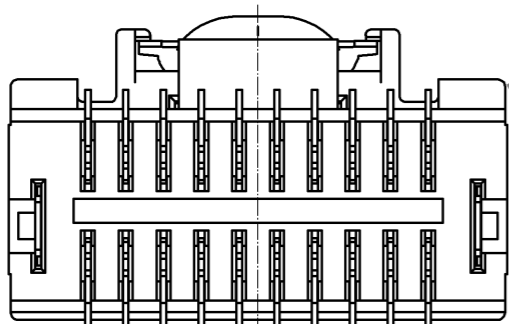
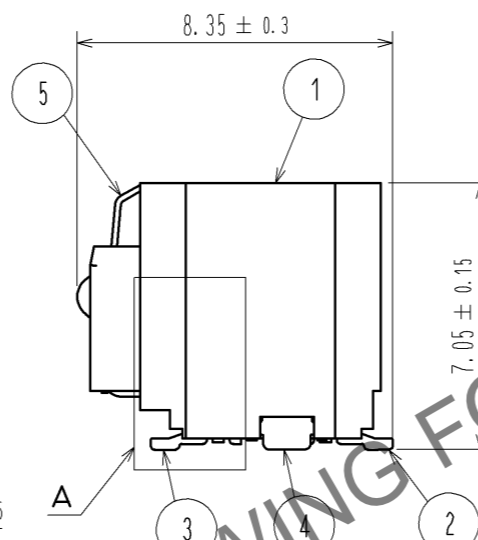
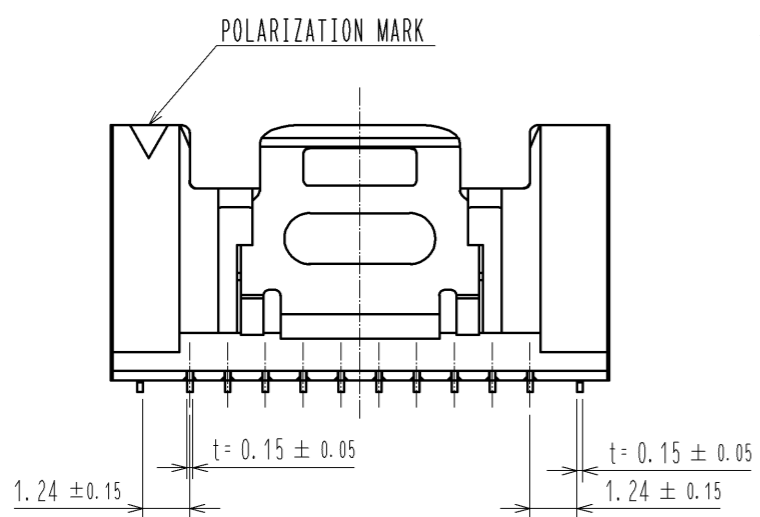
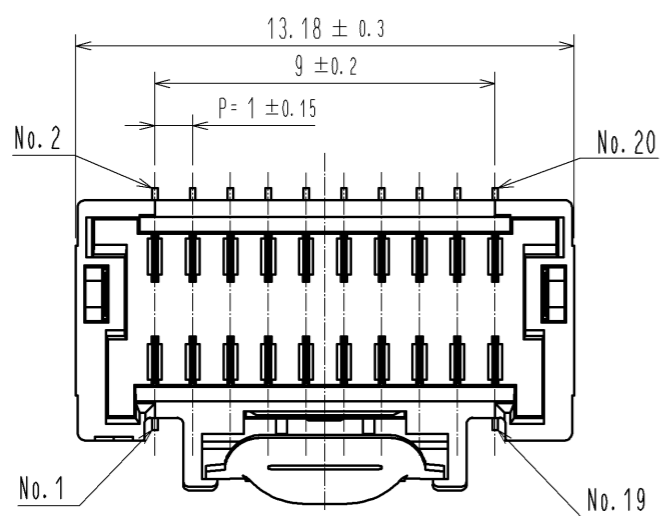
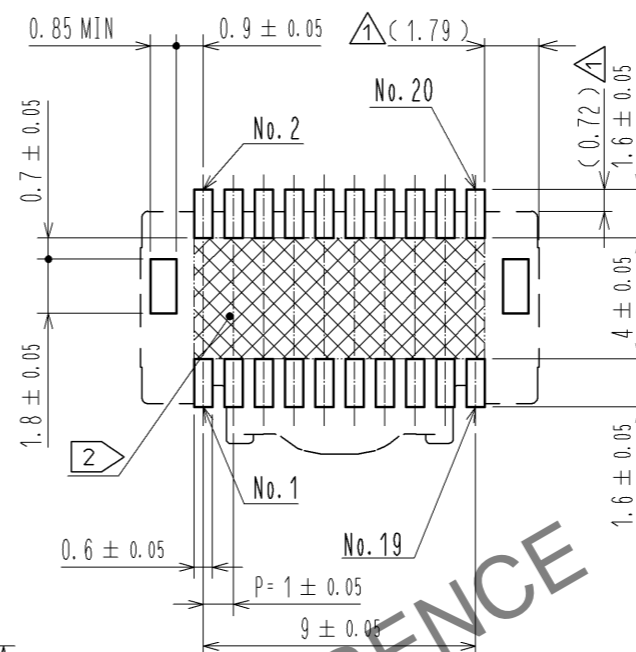


Jan.1.2025 Copyright 2025 HIROSE ELECTRIC CO., LTD. All Rights Reserved.  
 In case of consideration for using Automotive equipment / device which demand high reliability, kindly contact our sales window correspondents.

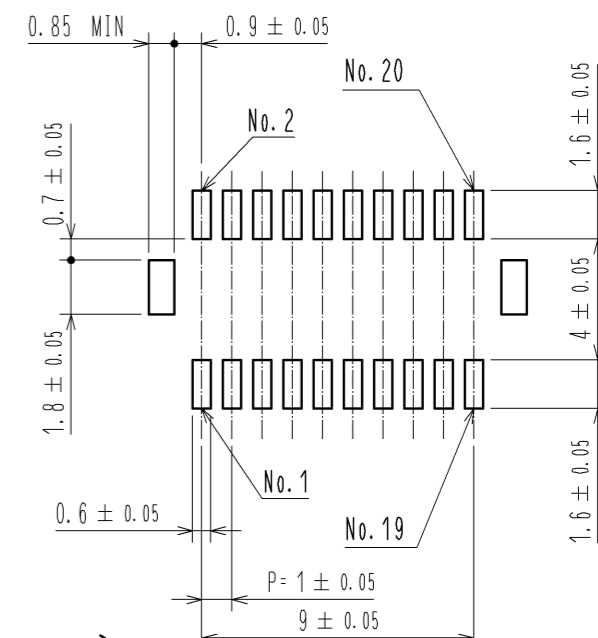


RECOMMENDED PCB LAYOUT  
(MOUNTING SURFACE SIDE) (FREE)

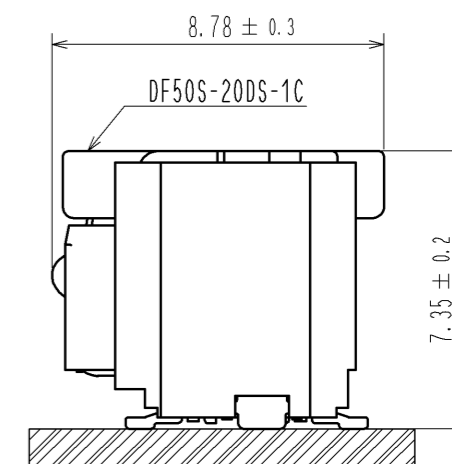
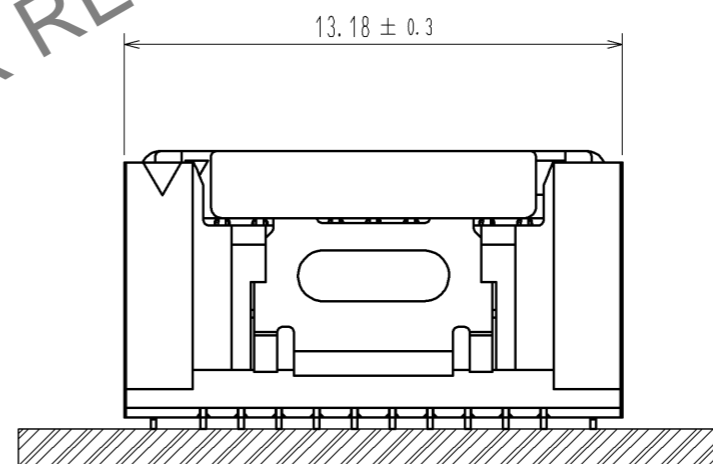


RECOMMENDED METAL MASK(FREE)

THICKNESS : 0.1mm



MATING FIGURE (5 : 1)

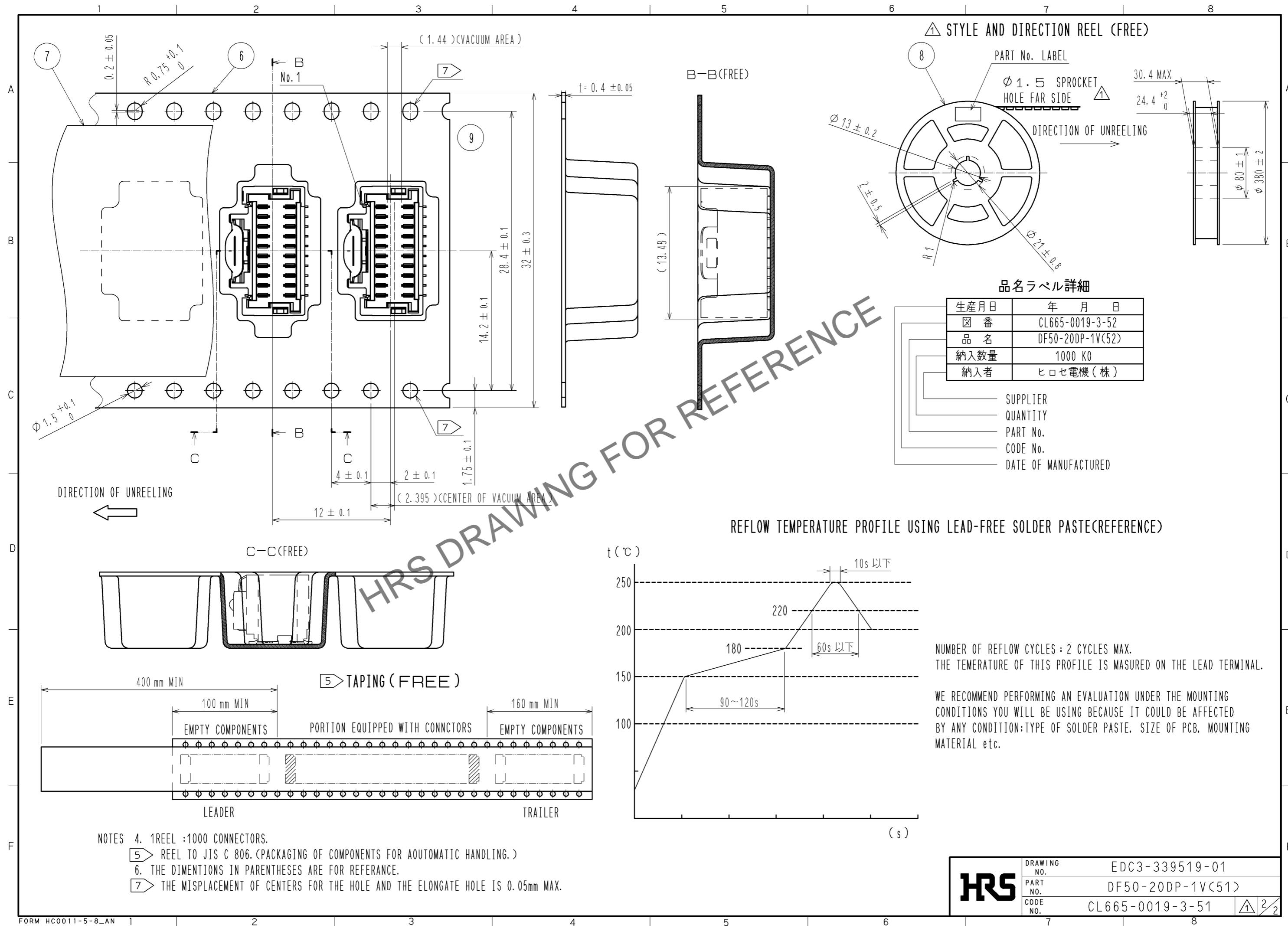


- NOTES 1. LEAD CO-PLANARITY SHALL BE 0.1 mm MAX.  
 2. [Hatched Area] AREA INDICATED MUST BE FREE OF CONDUCTIVE TRACES OR THE CONDUCTIVE TRACES MUST BE COVERED BY RESIST FILM.  
 3. PLEASE CONSULT HIROSE WHEN THE PRODUCT IS MOUNTED TO FPC.

3	BRASS	CONTACT AREA : Au PLATING 0.05µm MIN. LEAD AREA : Au PLATING 0.05µm MIN. UNDERPLATING : Ni PLATING 1µm MIN.	9	POLYAMIDE	VACUUM CAP
2	BRASS	CONTACT AREA : Au PLATING 0.05µm MIN. LEAD AREA : Au PLATING 0.05µm MIN. UNDERPLATING : Ni PLATING 1µm MIN.	8	PS	REEL, BLACK
1	LCP	BLACK, UL94V-0	7	POLYESTER	CLEAR
			6	PS	CLEAR
			5	STAINLESS STEEL	-
			4	BRASS	SURFACE : Sn PLATING 1µm MIN. UNDERPLATING : Ni PLATING 0.5µm MIN.
NO.	MATERIAL	FINISH, REMARKS	NO.	MATERIAL	FINISH, REMARKS

UNITS mm		SCALE FREE	COUNT 4	DESCRIPTION OF REVISIONS DIS-H-007735	DESIGNED MI. SAKIMURA	CHECKED TS. KUMAZAWA	DATE 13.03.22
<b>HRS</b> HIROSE ELECTRIC CO., LTD.		APPROVED : OM. MIYAMOTO	12.01.31	DRAWING NO.	EDC3-339519-01		
		CHECKED : OM. MIYAMOTO	12.01.31	PART NO.	DF50-20DP-1V(51)		
		DESIGNED : TT. OHSAKO	12.01.31	CODE NO.	CL665-0019-3-51		
		DRAWN : TT. OHSAKO	12.01.31				

Jan.1.2025 Copyright 2025 HIROSE ELECTRIC CO., LTD. All Rights Reserved.  
 In case of consideration for using Automotive equipment / device which demand high reliability, kindly contact our sales window correspondents.



△ STYLE AND DIRECTION REEL (FREE)

PART No. LABEL

Φ 1.5 SPROCKET HOLE FAR SIDE

30.4 MAX

24.4 <sup>+2</sup>/<sub>0</sub>

DIRECTION OF UNREELING

Φ 13 ± 0.2

2 ± 0.2

R1

Φ 21 ± 0.8

Φ 80 ± 1

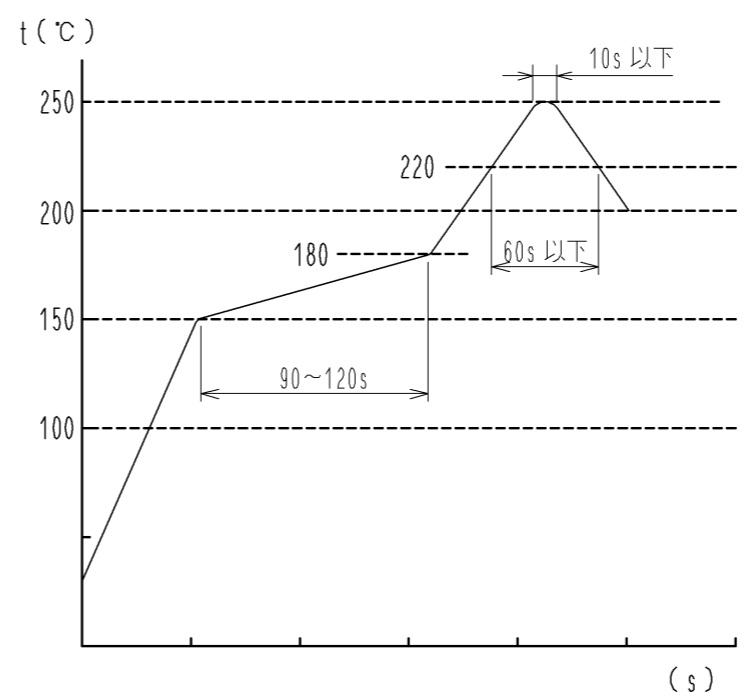
Φ 380 ± 2

品名ラベル詳細

生産月日	年 月 日
図 番	CL665-0019-3-52
品 名	DF50-20DP-1V(52)
納入数量	1000 K0
納入者	ヒロセ電機(株)

SUPPLIER  
 QUANTITY  
 PART No.  
 CODE No.  
 DATE OF MANUFACTURED

REFLOW TEMPERATURE PROFILE USING LEAD-FREE SOLDER PASTE(REFERENCE)



NUMBER OF REFLOW CYCLES : 2 CYCLES MAX.  
 THE TEMPERATURE OF THIS PROFILE IS MASURED ON THE LEAD TERMINAL.

WE RECOMMEND PERFORMING AN EVALUATION UNDER THE MOUNTING CONDITIONS YOU WILL BE USING BECAUSE IT COULD BE AFFECTED BY ANY CONDITION:TYPE OF SOLDER PASTE, SIZE OF PCB, MOUNTING MATERIAL etc.

- NOTES 4. 1REEL :1000 CONNECTORS.  
 5 REEL TO JIS C 806.(PACKAGING OF COMPONENTS FOR AOUTOMATIC HANDLING.)  
 6. THE DIMENTIONS IN PARENTHESSES ARE FOR REFERENCE.  
 7 THE MISPLACEMENT OF CENTERS FOR THE HOLE AND THE ELONGATE HOLE IS 0.05mm MAX.

<b>HRS</b>	DRAWING NO.	EDC3-339519-01
	PART NO.	DF50-20DP-1V(51)
	CODE NO.	CL665-0019-3-51
		2/2