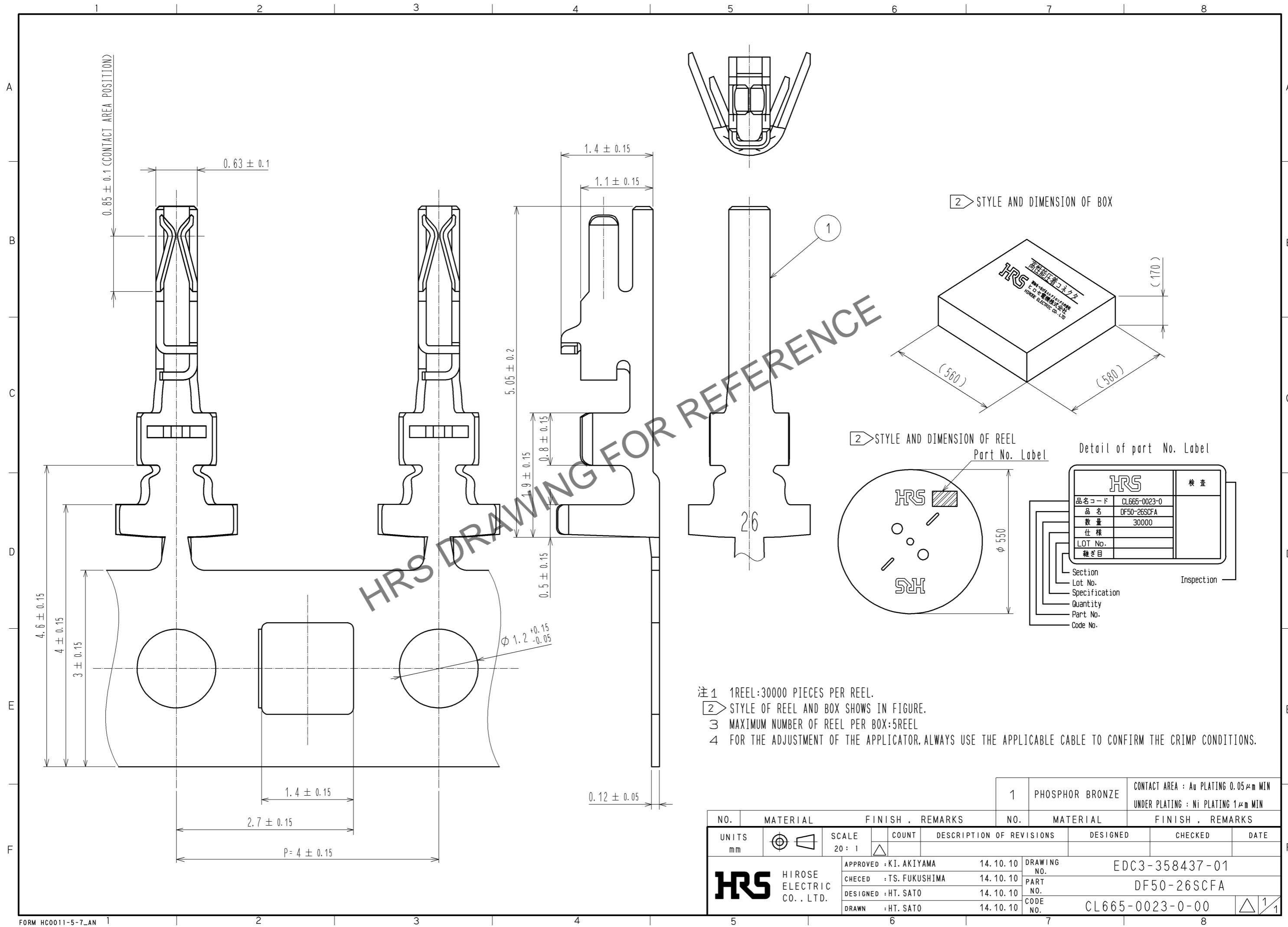
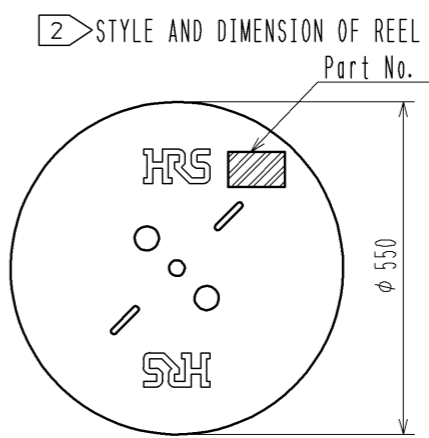
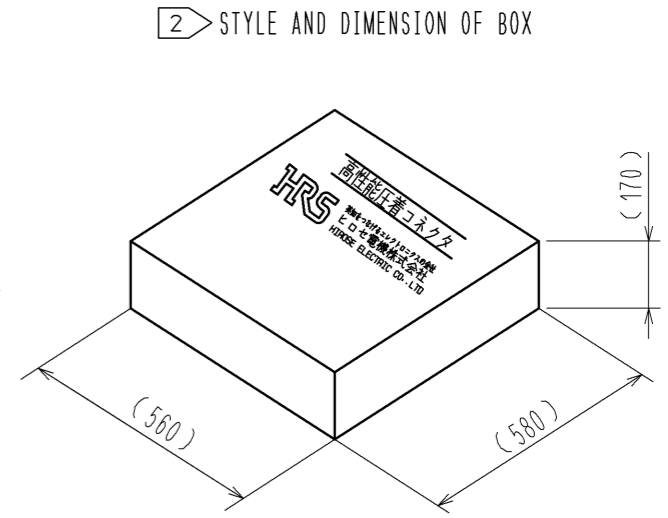


Jan.1.2025 Copyright 2025 HIROSE ELECTRIC CO., LTD. All Rights Reserved.
 In case of consideration for using Automotive equipment / device which demand high reliability, kindly contact our sales window correspondents.



- 注1 1REEL:30000 PIECES PER REEL.
 注2 STYLE OF REEL AND BOX SHOWS IN FIGURE.
 注3 MAXIMUM NUMBER OF REEL PER BOX:5REEL
 注4 FOR THE ADJUSTMENT OF THE APPLICATOR, ALWAYS USE THE APPLICABLE CABLE TO CONFIRM THE CRIMP CONDITIONS.



Detail of part No. Label

HRS		検査
品名コード	CL665-0023-0	
品名	DF50-26SCFA	
数量	30000	
仕様		
LOT No.		
継ぎ目		
Section		Inspection
Lot No.		
Specification		
Quantity		
Part No.		
Code No.		

NO.	MATERIAL	FINISH . REMARKS	NO.	MATERIAL	FINISH . REMARKS		
			1	PHOSPHOR BRONZE	CONTACT AREA : Au PLATING 0.05μm MIN UNDER PLATING : Ni PLATING 1μm MIN		
UNITS mm		SCALE 20 : 1	COUNT	DESCRIPTION OF REVISIONS	DESIGNED	CHECKED	DATE
HRS	HIROSE ELECTRIC CO., LTD.	APPROVED : KI. AKIYAMA	14. 10. 10	DRAWING NO.	EDC3-358437-01		
		CHECED : TS. FUKUSHIMA	14. 10. 10	PART NO.	DF50-26SCFA		
		DESIGNED : HT. SATO	14. 10. 10	CODE NO.	CL665-0023-0-00		
		DRAWN : HT. SATO	14. 10. 10		1/1		