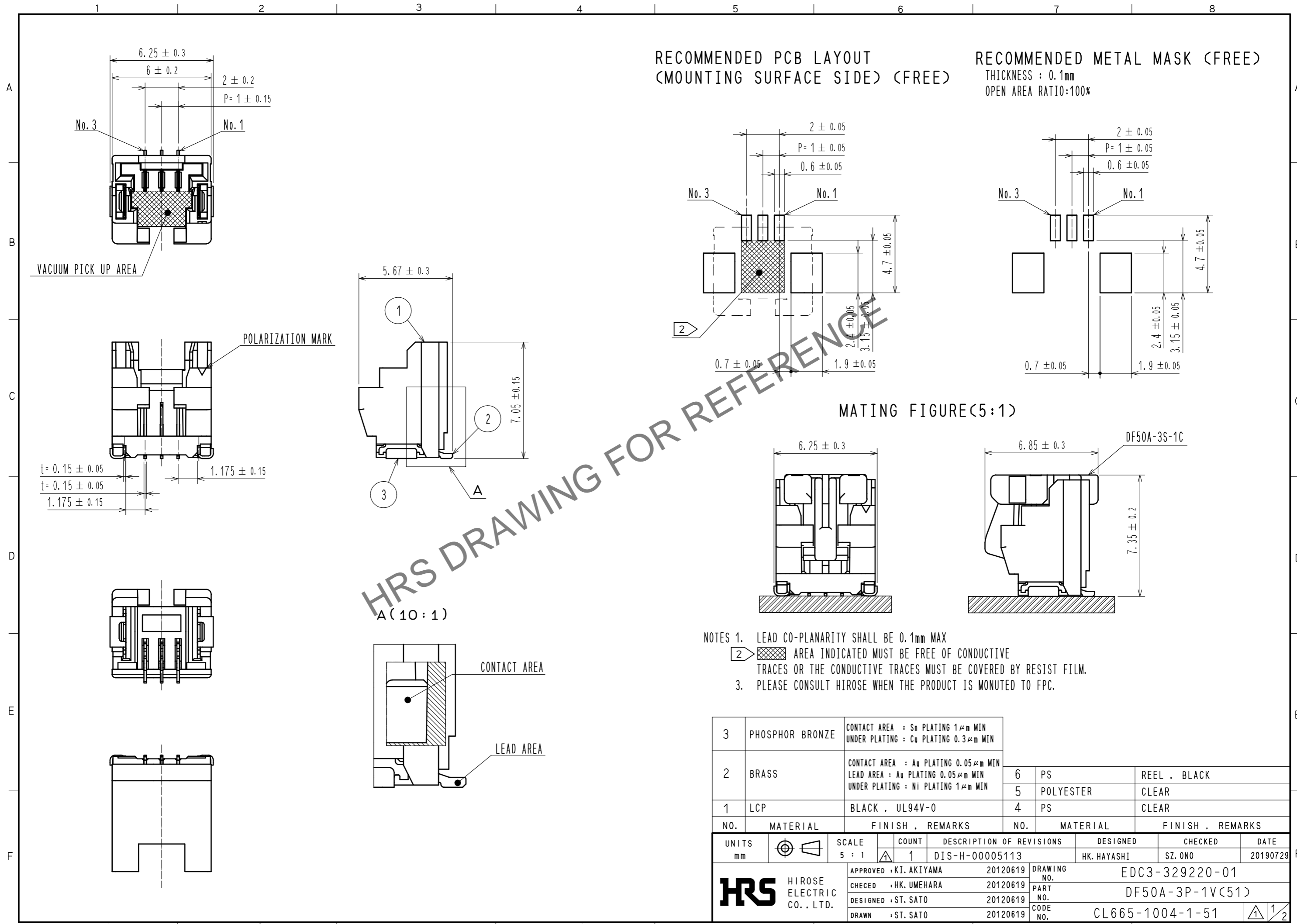


Feb.1.2025 Copyright 2025 HIROSE ELECTRIC CO., LTD. All Rights Reserved.
In case of consideration for using Automotive equipment / device which demand high reliability, kindly contact our sales window correspondents.



RECOMMENDED PCB LAYOUT
(MOUNTING SURFACE SIDE) (FREE)

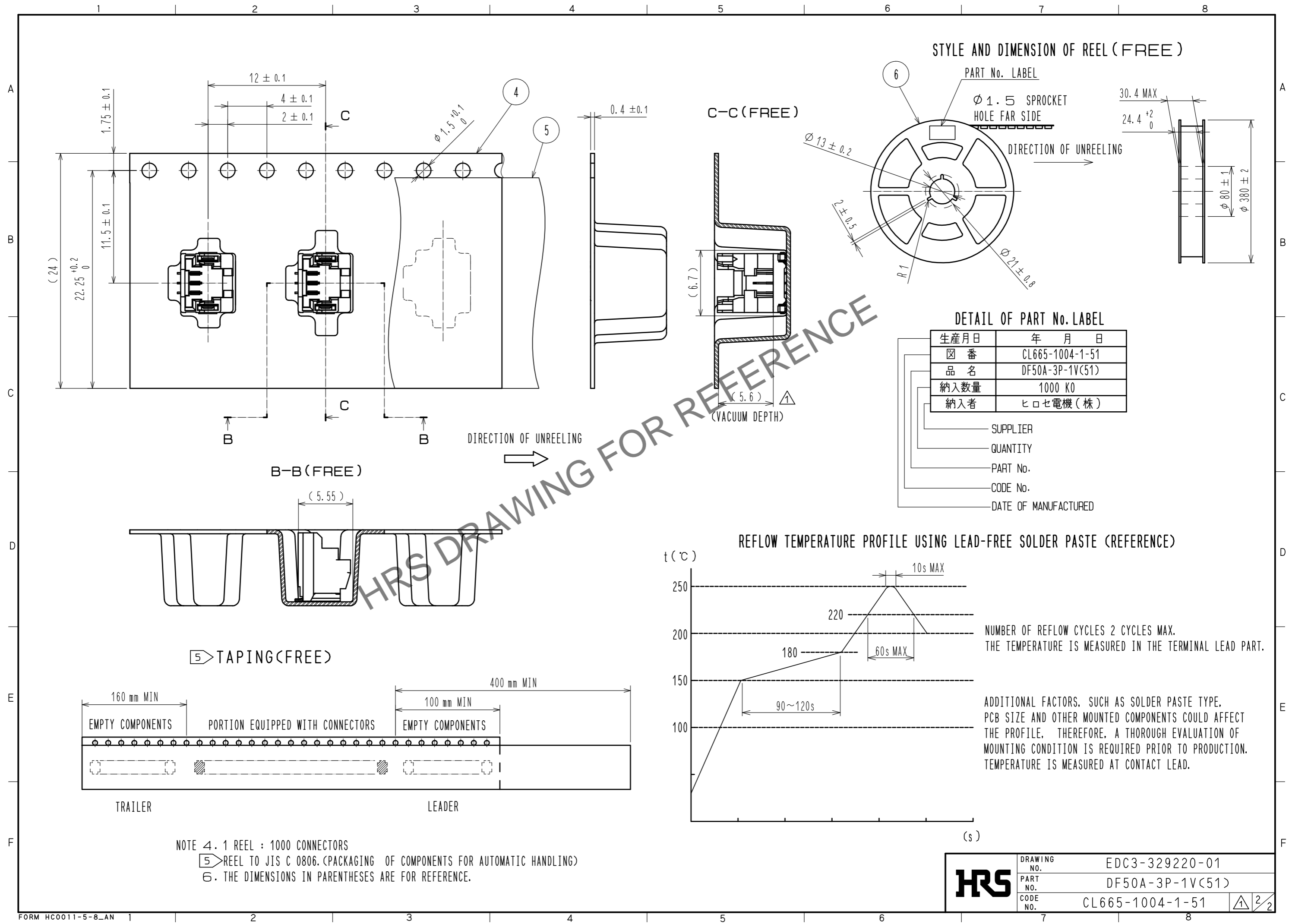
RECOMMENDED METAL MASK (FREE)
THICKNESS : 0.1mm
OPEN AREA RATIO:100%

MATING FIGURE(5:1)

- NOTES 1. LEAD CO-PLANARITY SHALL BE 0.1mm MAX
 2. AREA INDICATED MUST BE FREE OF CONDUCTIVE TRACES OR THE CONDUCTIVE TRACES MUST BE COVERED BY RESIST FILM.
 3. PLEASE CONSULT HIROSE WHEN THE PRODUCT IS MONUTED TO FPC.

3	PHOSPHOR BRONZE	CONTACT AREA : Sn PLATING 1μm MIN UNDER PLATING : Cu PLATING 0.3μm MIN			
2	BRASS	CONTACT AREA : Au PLATING 0.05μm MIN LEAD AREA : Au PLATING 0.05μm MIN UNDER PLATING : Ni PLATING 1μm MIN	6	PS	REEL . BLACK
1	LCP	BLACK , UL94V-0	5	POLYESTER	CLEAR
			4	PS	CLEAR
NO.	MATERIAL	FINISH . REMARKS	NO.	MATERIAL	FINISH . REMARKS
UNITS mm		SCALE 5 : 1	COUNT 1	DESCRIPTION OF REVISIONS DIS-H-00005113	
APPROVED : KI. AKIYAMA 20120619			DESIGNED	CHKD	
CHECED : HK. UMEHARA 20120619			DESIGNED	CHKD	
DESIGNED : ST. SATO 20120619			DESIGNED	CHKD	
DRAWN : ST. SATO 20120619			DESIGNED	CHKD	
HRS HIROSE ELECTRIC CO., LTD.			DRAWING NO.	EDC3-329220-01	
			PART NO.	DF50A-3P-1V(51)	
			CODE NO.	CL665-1004-1-51	

Feb.1.2025 Copyright 2025 HIROSE ELECTRIC CO., LTD. All Rights Reserved.
 In case of consideration for using Automotive equipment / device which demand high reliability, kindly contact our sales window correspondents.



HRS	DRAWING NO.	EDC3-329220-01
	PART NO.	DF50A-3P-1V(51)
	CODE NO.	CL665-1004-1-51
		\triangle 2/2