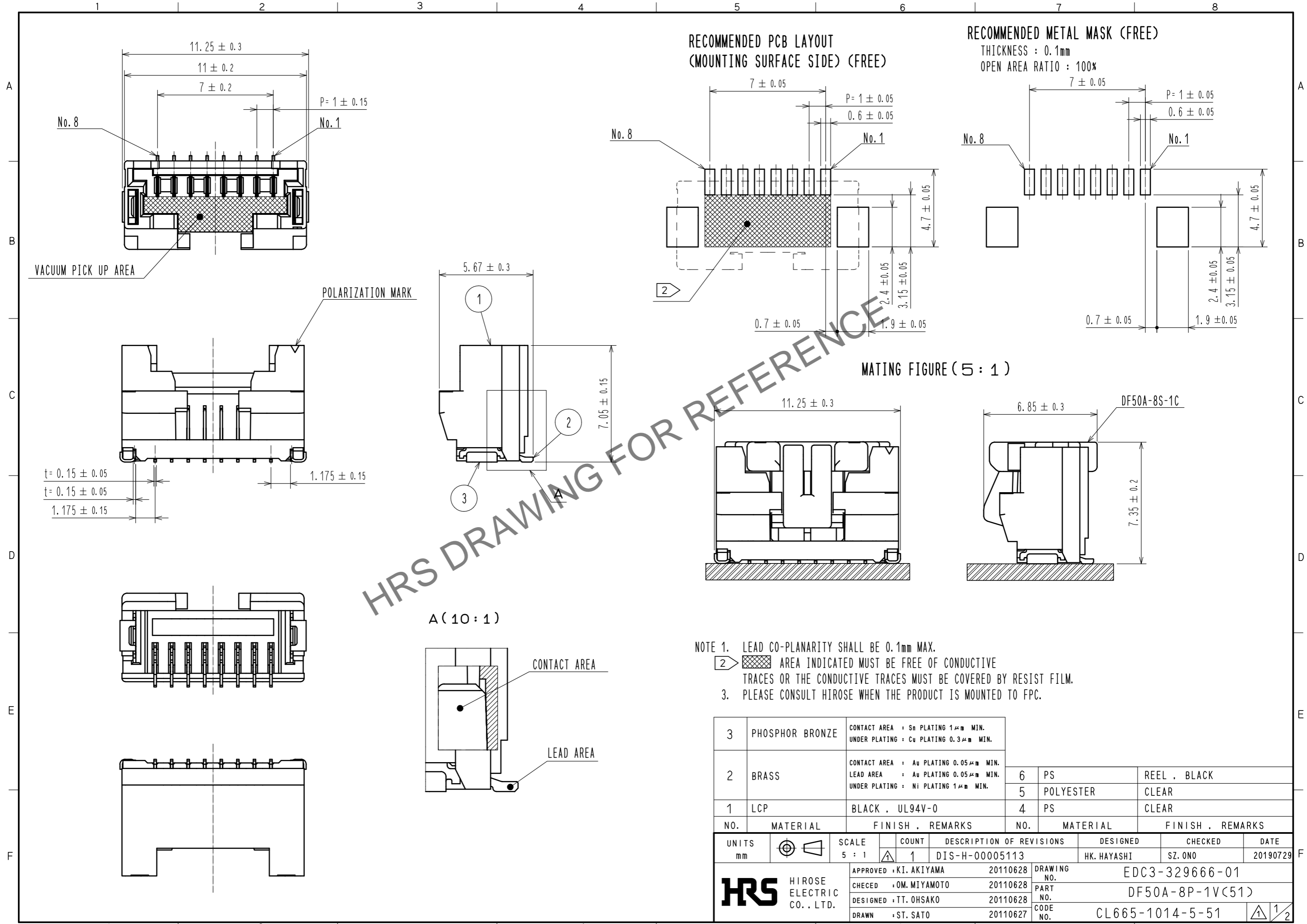


Feb.1.2025 Copyright 2025 HIROSE ELECTRIC CO., LTD. All Rights Reserved.  
In case of consideration for using Automotive equipment / device which demand high reliability, kindly contact our sales window correspondents.

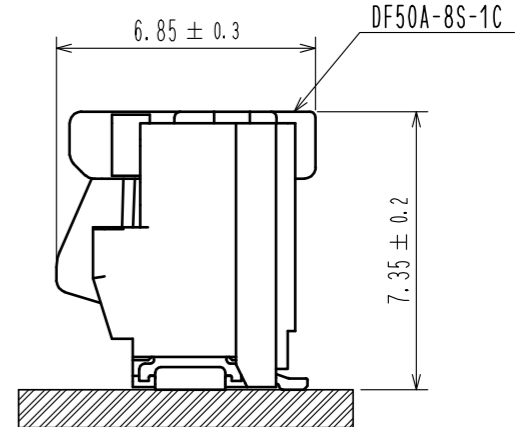
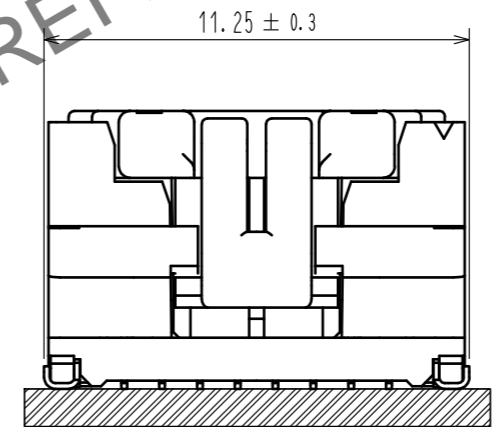


**RECOMMENDED PCB LAYOUT  
(MOUNTING SURFACE SIDE) (FREE)**

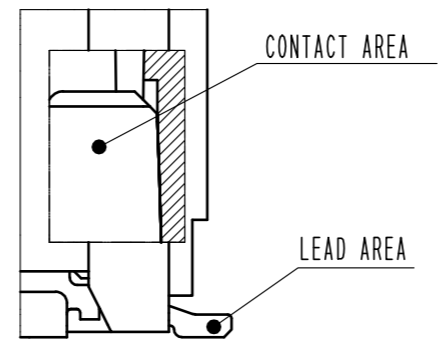
**RECOMMENDED METAL MASK (FREE)**

THICKNESS : 0.1mm  
OPEN AREA RATIO : 100%

**MATING FIGURE (5 : 1)**



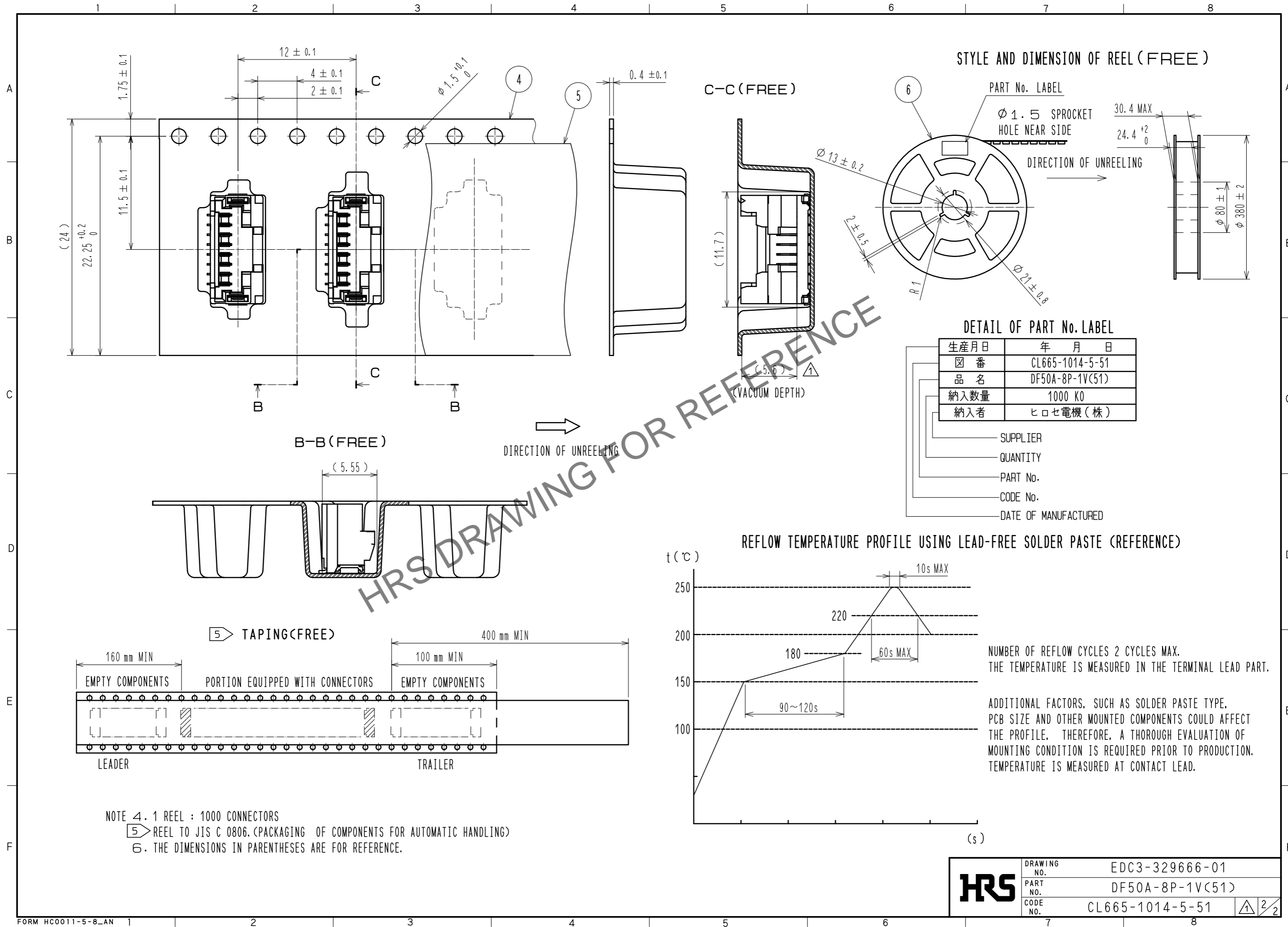
**A (10 : 1)**



- NOTE 1. LEAD CO-PLANARITY SHALL BE 0.1mm MAX.  
 2. AREA INDICATED MUST BE FREE OF CONDUCTIVE TRACES OR THE CONDUCTIVE TRACES MUST BE COVERED BY RESIST FILM.  
 3. PLEASE CONSULT HIROSE WHEN THE PRODUCT IS MOUNTED TO FPC.

3	PHOSPHOR BRONZE	CONTACT AREA : Sn PLATING 1μm MIN. UNDER PLATING : Cu PLATING 0.3μm MIN.	6	PS	REEL . BLACK		
2	BRASS	CONTACT AREA : Au PLATING 0.05μm MIN. LEAD AREA : Au PLATING 0.05μm MIN. UNDER PLATING : Ni PLATING 1μm MIN.	5	POLYESTER	CLEAR		
1	LCP	BLACK , UL94V-0	4	PS	CLEAR		
NO.	MATERIAL	FINISH . REMARKS	NO.	MATERIAL	FINISH . REMARKS		
UNITS mm		SCALE 5 : 1	COUNT 1	DESCRIPTION OF REVISIONS DIS-H-00005113	DESIGNED HK. HAYASHI	CHECKED SZ. ONO	DATE 20190729
<b>HRS</b> HIROSE ELECTRIC CO., LTD.		APPROVED : KI. AKIYAMA 20110628	DRAWING NO. EDC3-329666-01				
		CHECED : OM. MIYAMOTO 20110628	PART NO. DF50A-8P-1V(51)				
		DESIGNED : TT. OHSAKO 20110628	CODE NO. CL665-1014-5-51				
		DRAWN : ST. SATO 20110627					

Feb.1.2025 Copyright 2025 HIROSE ELECTRIC CO., LTD. All Rights Reserved.  
 In case of consideration for using Automotive equipment / device which demand high reliability, kindly contact our sales window correspondents.



<b>HRS</b>	DRAWING NO.	EDC3-329666-01
	PART NO.	DF50A-8P-1V(51)
	CODE NO.	CL665-1014-5-51
		△ 2/2