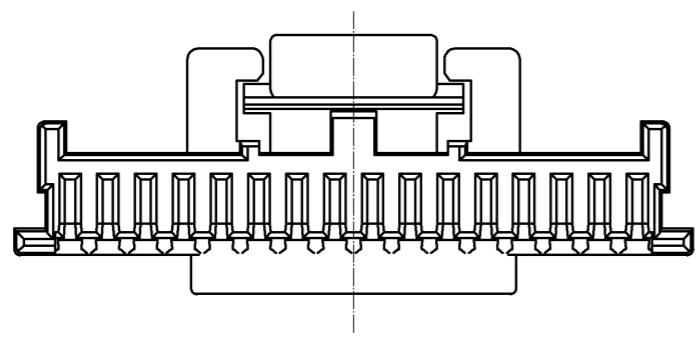
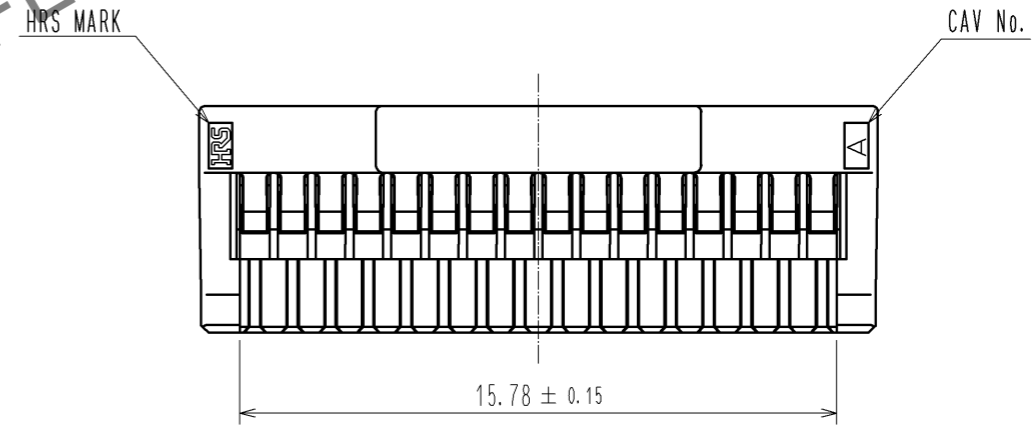
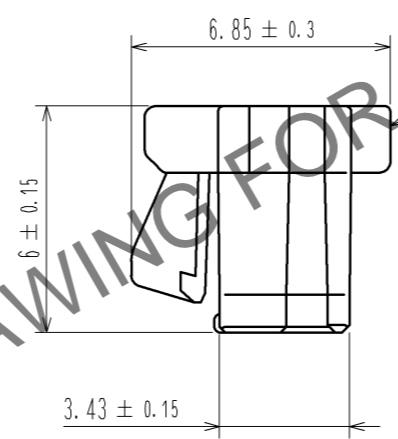
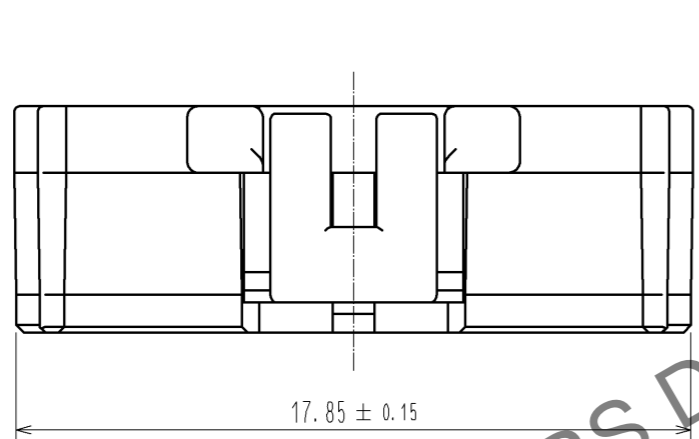
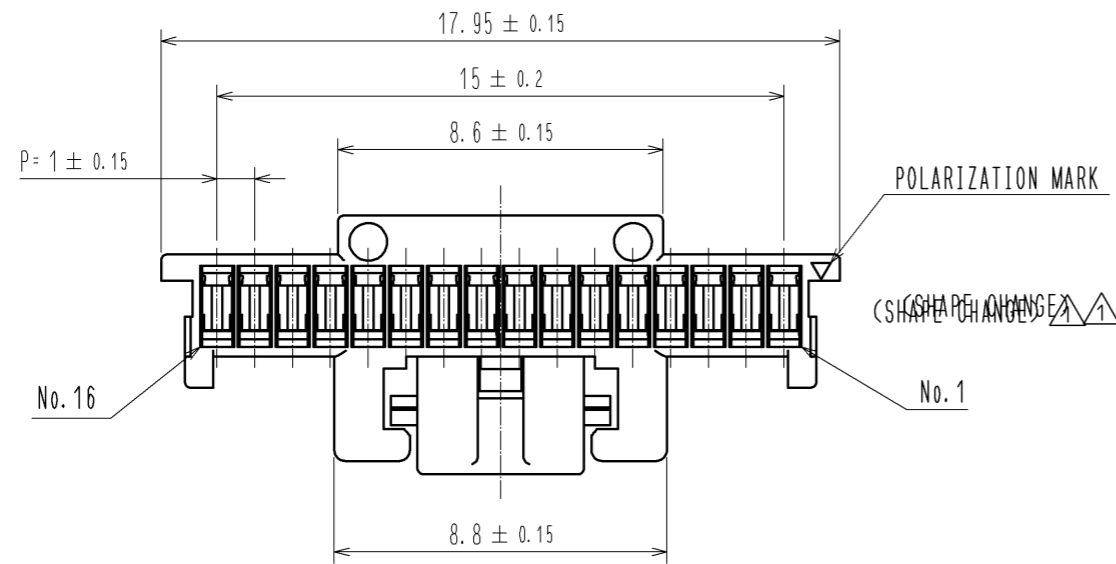


Feb.1.2025 Copyright 2025 HIROSE ELECTRIC CO., LTD. All Rights Reserved.
 In case of consideration for using Automotive equipment / device which demand high reliability, kindly contact our sales window correspondents.



HRS DRAWING FOR REFERENCE

NOTE1. PER PACK:100 POCES

NO.	MATERIAL	FINISH . REMARKS	NO.	MATERIAL	FINISH . REMARKS
			1	PBT	UL94V-0. BLACK
UNITS mm		SCALE 5 : 1	COUNT 1	DESIGNED KT. ISHII	CHECKED OM. MIYAMOTO
DESCRIPTION OF REVISIONS DIS-H-005903			DATE 11.06.16		
APPROVED : KI. AKIYAMA 10.12.10			DRAWING NO. EDC3-329684-00		
CHECED : OM. MIYAMOTO 10.12.10			PART NO. DF50A-16S-1C		
DESIGNED : TT. OHSAKO 10.12.09			CODE NO. CL665-1030-1-00		
DRAWN : TT. OHSAKO 10.12.09					