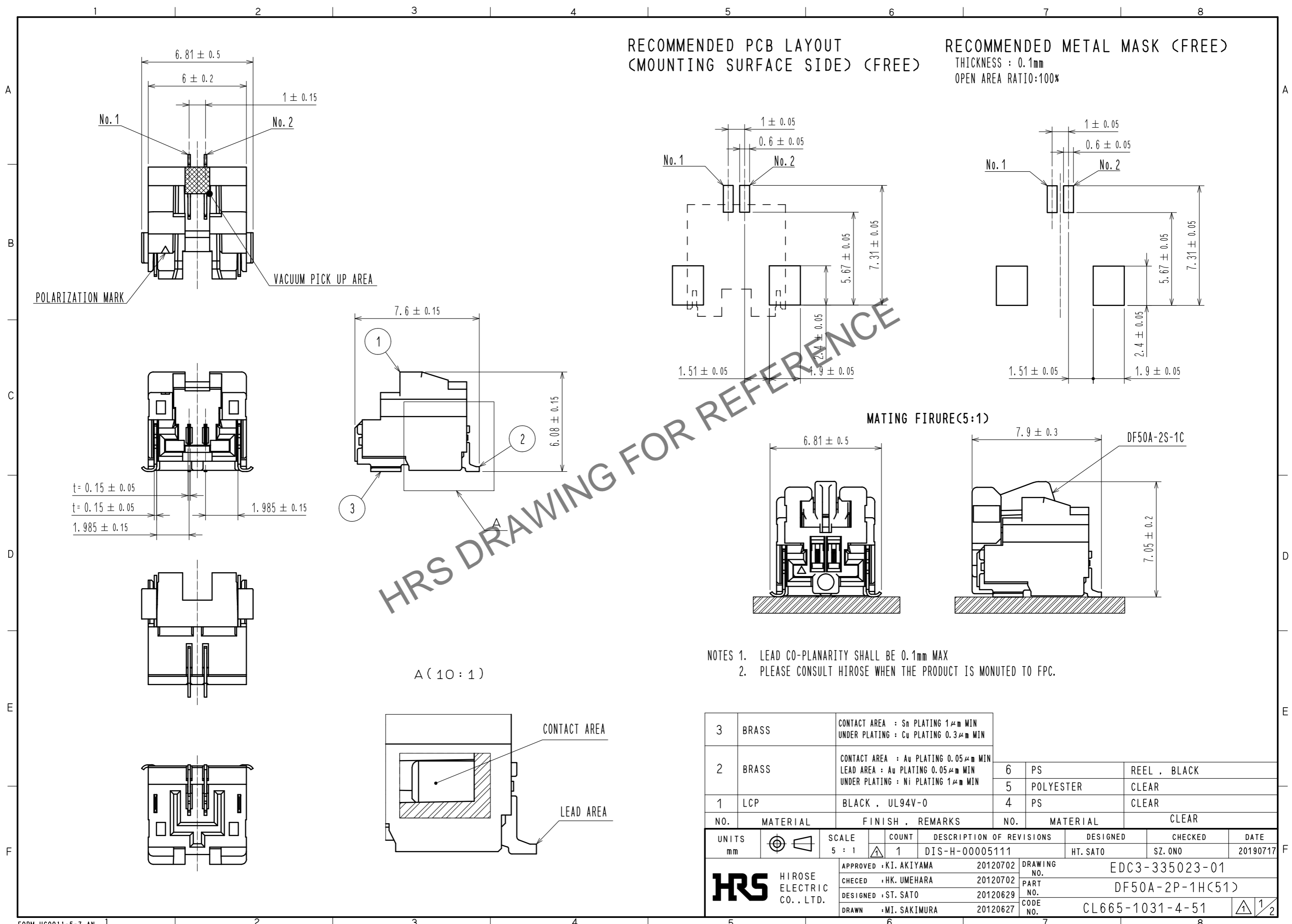
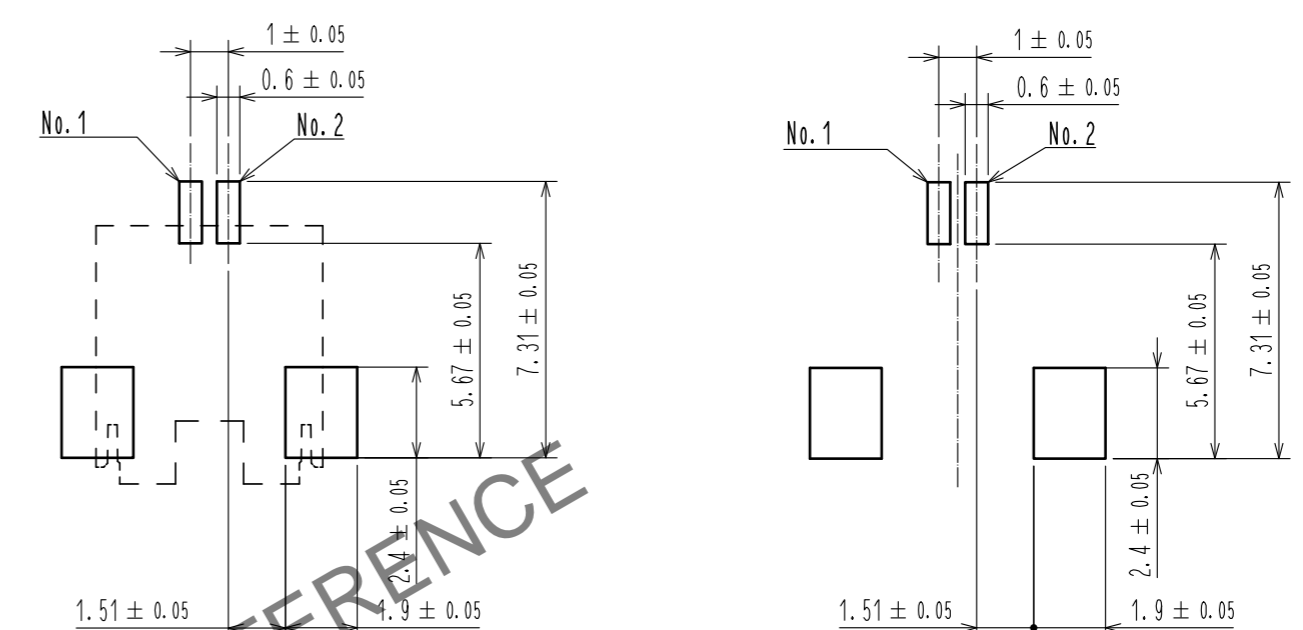


Feb.1.2025 Copyright 2025 HIROSE ELECTRIC CO., LTD. All Rights Reserved.
In case of consideration for using Automotive equipment / device which demand high reliability, kindly contact our sales window correspondents.

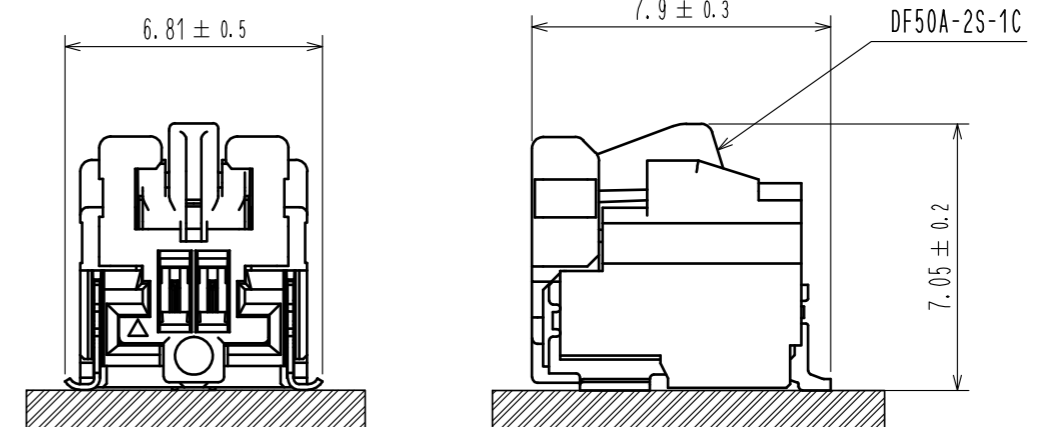


RECOMMENDED PCB LAYOUT
(MOUNTING SURFACE SIDE) (FREE)

RECOMMENDED METAL MASK (FREE)
THICKNESS : 0.1mm
OPEN AREA RATIO:100%



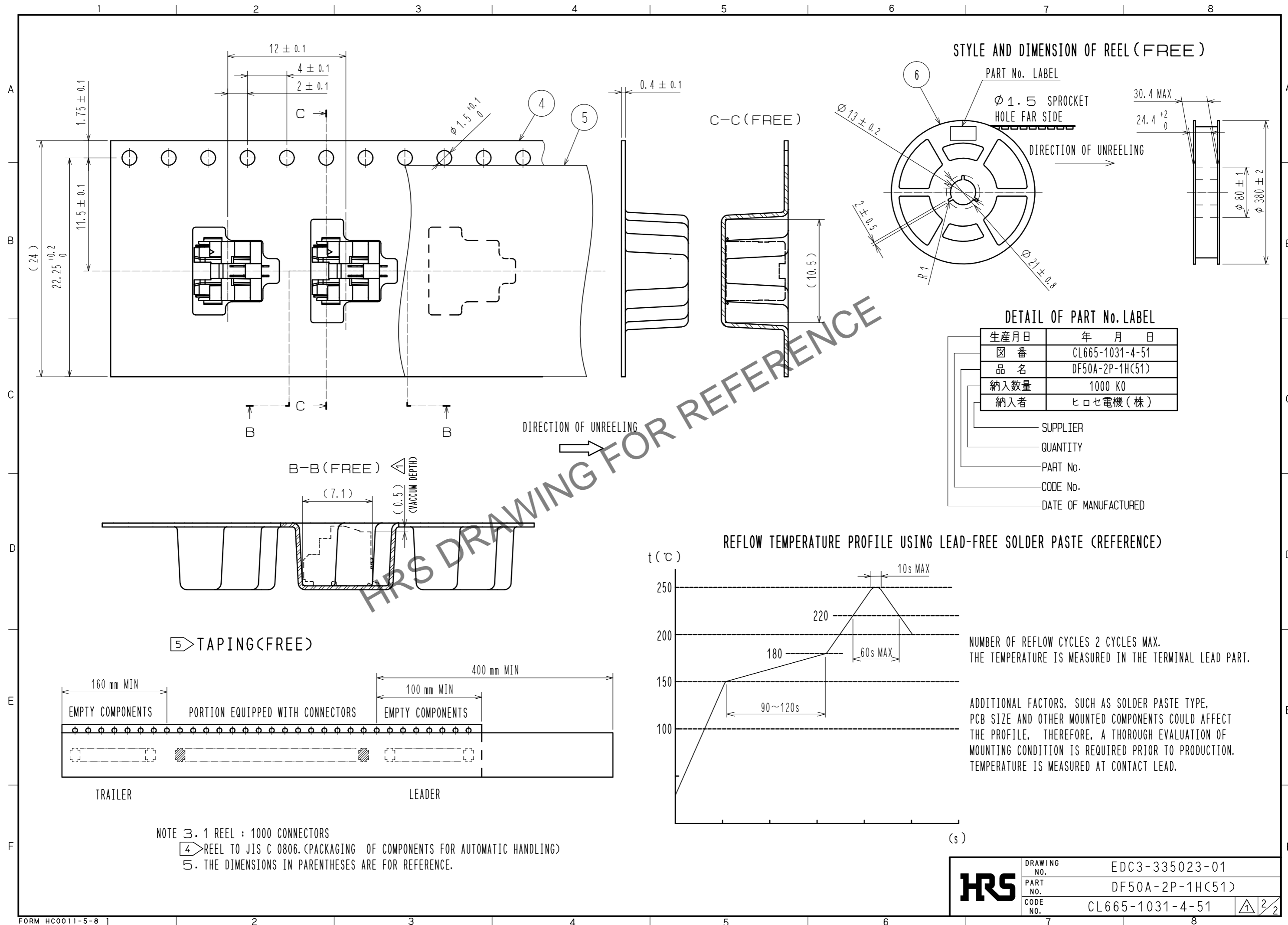
MATING FIGURE(5:1)



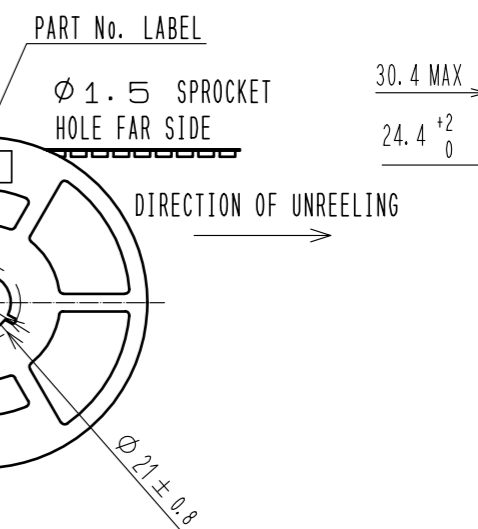
- NOTES 1. LEAD CO-PLANARITY SHALL BE 0.1mm MAX
2. PLEASE CONSULT HIROSE WHEN THE PRODUCT IS MOUNTED TO FPC.

3	BRASS	CONTACT AREA : Sn PLATING 1μm MIN UNDER PLATING : Cu PLATING 0.3μm MIN					
2	BRASS	CONTACT AREA : Au PLATING 0.05μm MIN LEAD AREA : Au PLATING 0.05μm MIN UNDER PLATING : Ni PLATING 1μm MIN	6	PS	REEL , BLACK		
1	LCP	BLACK , UL94V-0	5	POLYESTER	CLEAR		
			4	PS	CLEAR		
NO.	MATERIAL	FINISH , REMARKS	NO.	MATERIAL	CLEAR		
UNITS	mm	SCALE	COUNT	DESCRIPTION OF REVISIONS	DESIGNED	CHECKED	DATE
		5 : 1	1	DIS-H-00005111	HT. SATO	SZ. ONO	20190717
APPROVED : KI. AKIYAMA		20120702	DRAWING NO.		EDC3-335023-01		
CHECKED : HK. UMEHARA		20120702	PART NO.		DF50A-2P-1H(51)		
DESIGNED : ST. SATO		20120629	CODE NO.		CL665-1031-4-51		
DRAWN : MI. SAKIMURA		20120627					

Feb.1.2025 Copyright 2025 HIROSE ELECTRIC CO., LTD. All Rights Reserved.
 In case of consideration for using Automotive equipment / device which demand high reliability, kindly contact our sales window correspondents.



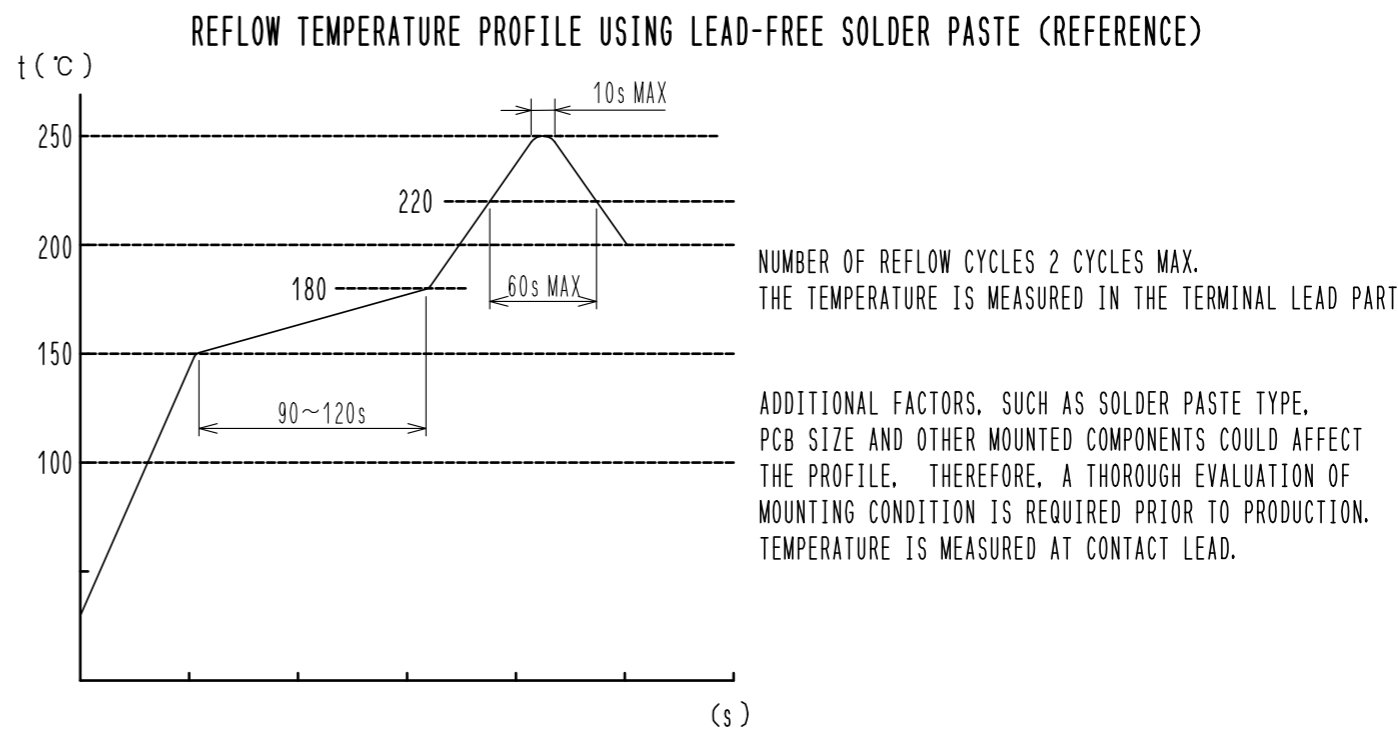
STYLE AND DIMENSION OF REEL (FREE)



DETAIL OF PART No. LABEL

生産月日	年 月 日
図 番	CL665-1031-4-51
品 名	DF50A-2P-1H(51)
納入数量	1000 KO
納入者	ヒロセ電機(株)

— SUPPLIER
 — QUANTITY
 — PART No.
 — CODE No.
 — DATE OF MANUFACTURED



NOTE 3. 1 REEL : 1000 CONNECTORS
 4 REEL TO JIS C 0806. (PACKAGING OF COMPONENTS FOR AUTOMATIC HANDLING)
 5. THE DIMENSIONS IN PARENTHESES ARE FOR REFERENCE.

HRS	DRAWING NO.	EDC3-335023-01
	PART NO.	DF50A-2P-1H(51)
	CODE NO.	CL665-1031-4-51
		2/2