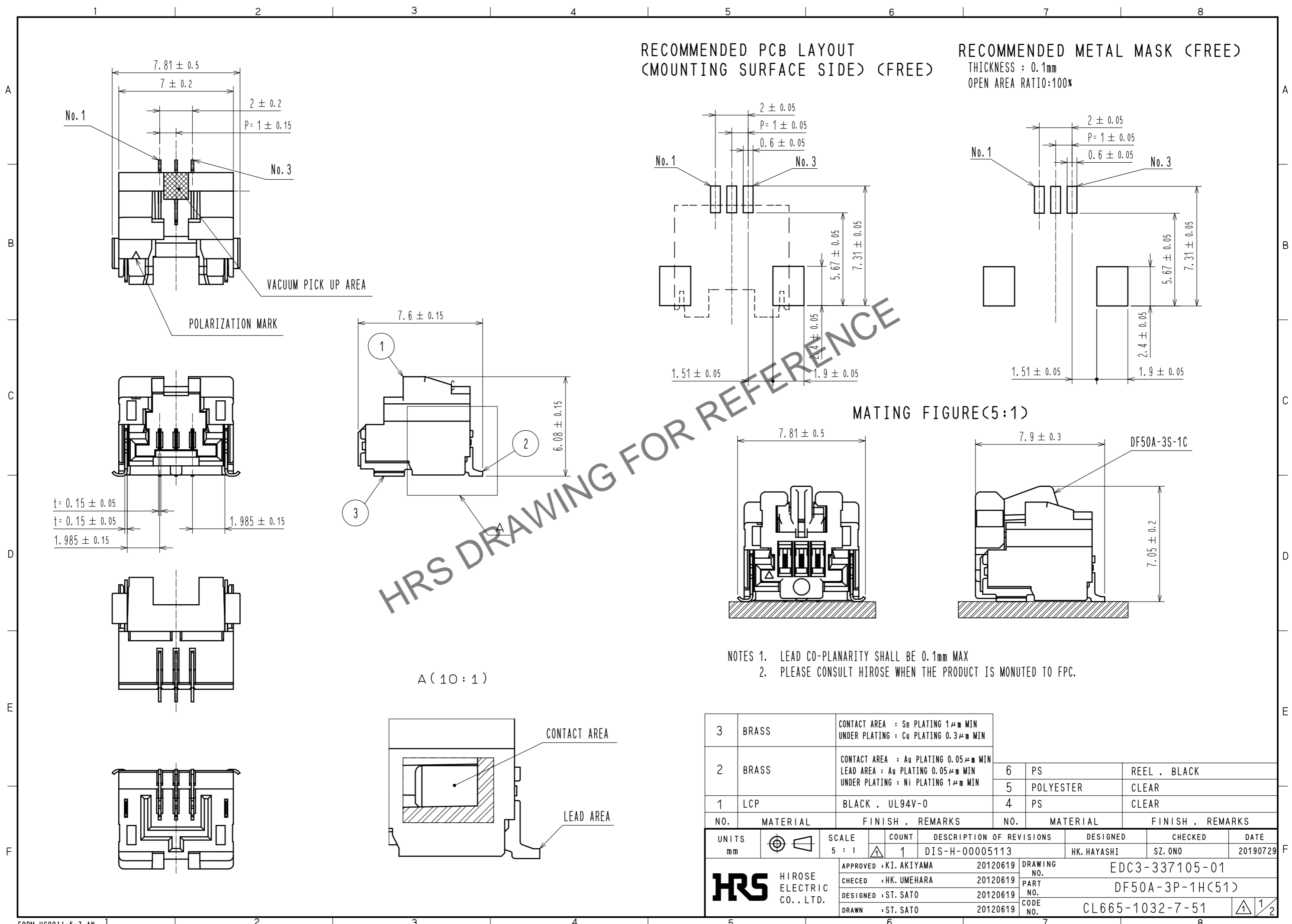


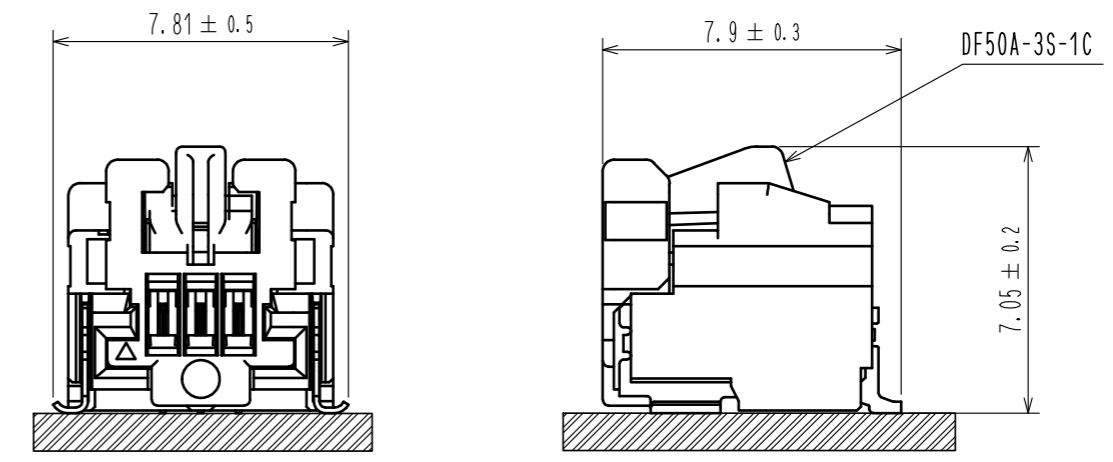
Feb.1.2025 Copyright 2025 HIROSE ELECTRIC CO., LTD. All Rights Reserved.
In case of consideration for using Automotive equipment / device which demand high reliability, kindly contact our sales window correspondents.



RECOMMENDED PCB LAYOUT
(MOUNTING SURFACE SIDE) (FREE)

RECOMMENDED METAL MASK (FREE)
THICKNESS : 0.1mm
OPEN AREA RATIO:100%

MATING FIGURE(5:1)



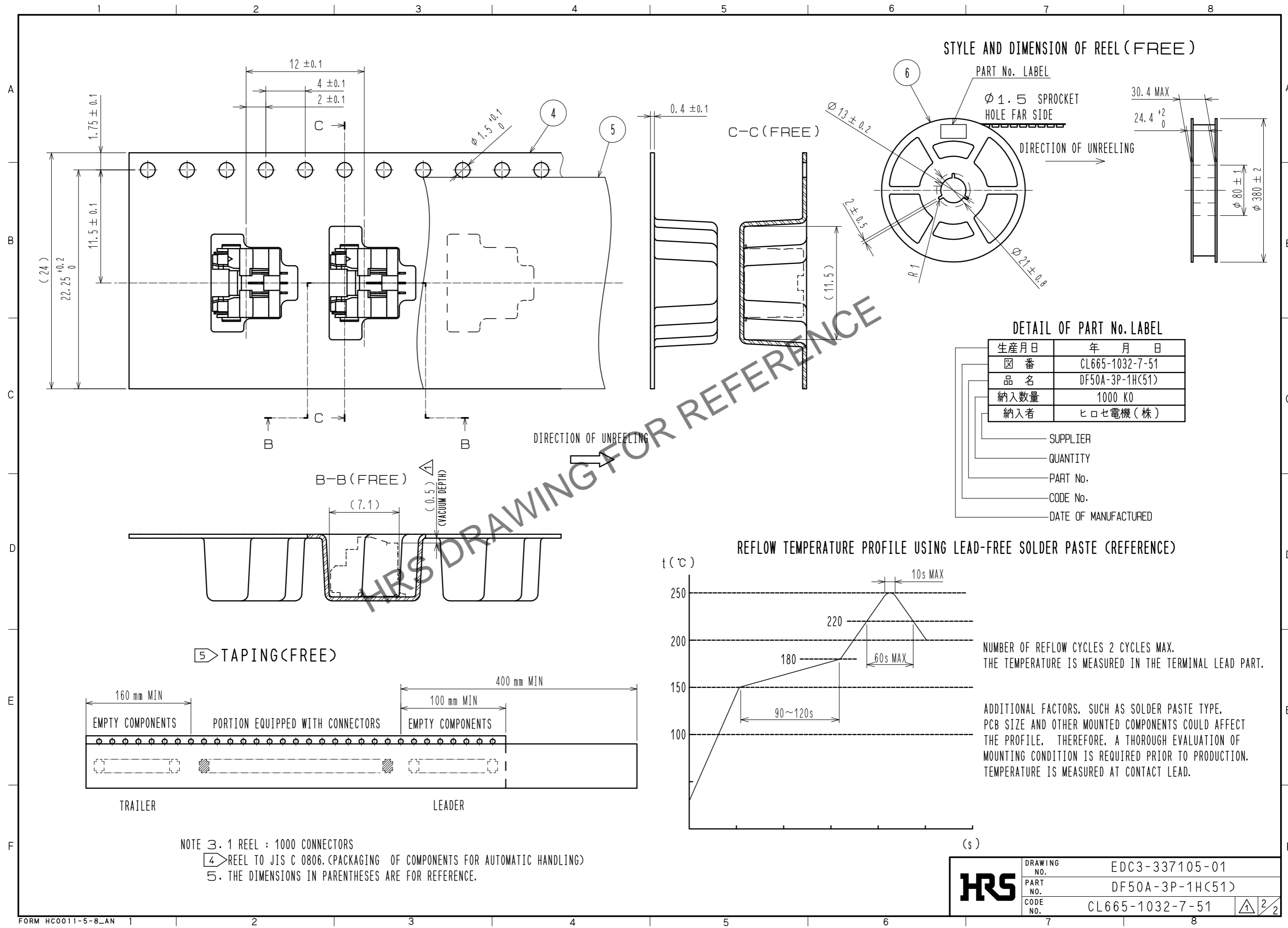
- NOTES 1. LEAD CO-PLANARITY SHALL BE 0.1mm MAX
2. PLEASE CONSULT HIROSE WHEN THE PRODUCT IS MONUTED TO FPC.

| NO. | MATERIAL | FINISH . REMARKS | NO. | MATERIAL | FINISH . REMARKS |
|-----|----------|---|-----|-----------|------------------|
| 3 | BRASS | CONTACT AREA : Sn PLATING 1μm MIN UNDER PLATING : Cu PLATING 0.3μm MIN | 6 | PS | REEL , BLACK |
| 2 | BRASS | CONTACT AREA : Au PLATING 0.05μm MIN LEAD AREA : Au PLATING 0.05μm MIN UNDER PLATING : Ni PLATING 1μm MIN | 5 | POLYESTER | CLEAR |
| 1 | LCP | BLACK , UL94V-0 | 4 | PS | CLEAR |

| UNITS | SCALE | COUNT | DESCRIPTION OF REVISIONS | DESIGNED | CHECKED | DATE |
|-------|-------|-------|--------------------------|-------------|---------|----------|
| mm | 5 : 1 | 1 | DIS-H-00005113 | HK. HAYASHI | SZ. ONO | 20190729 |

| | | | | |
|---|------------------------|----------|-------------|-----------------|
| HRS HIROSE ELECTRIC CO., LTD. | APPROVED : KI. AKIYAMA | 20120619 | DRAWING NO. | EDC3-337105-01 |
| | CHECED : HK. UMEHARA | 20120619 | PART NO. | DF50A-3P-1H(51) |
| | DESIGNED : ST. SATO | 20120619 | CODE NO. | CL665-1032-7-51 |
| | DRAWN : ST. SATO | 20120619 | | |

Feb.1.2025 Copyright 2025 HIROSE ELECTRIC CO., LTD. All Rights Reserved.
 In case of consideration for using Automotive equipment / device which demand high reliability, kindly contact our sales window correspondents.



| | | |
|------------|-------------|-----------------|
| HRS | DRAWING NO. | EDC3-337105-01 |
| | PART NO. | DF50A-3P-1H(51) |
| | CODE NO. | CL665-1032-7-51 |
| | | \triangle 2/2 |