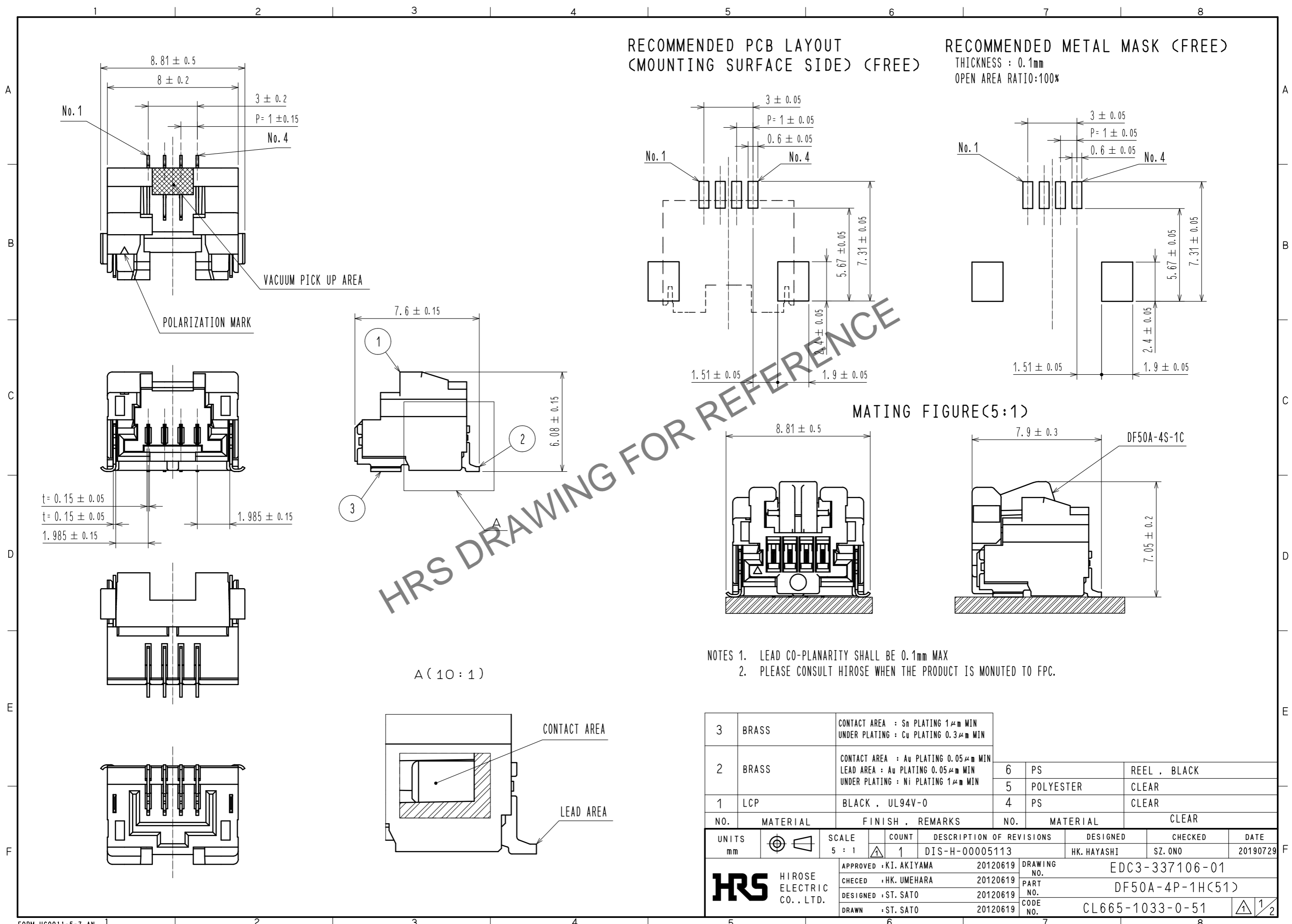


Feb.1.2025 Copyright 2025 HIROSE ELECTRIC CO., LTD. All Rights Reserved.
In case of consideration for using Automotive equipment / device which demand high reliability, kindly contact our sales window correspondents.



RECOMMENDED PCB LAYOUT
(MOUNTING SURFACE SIDE) (FREE)

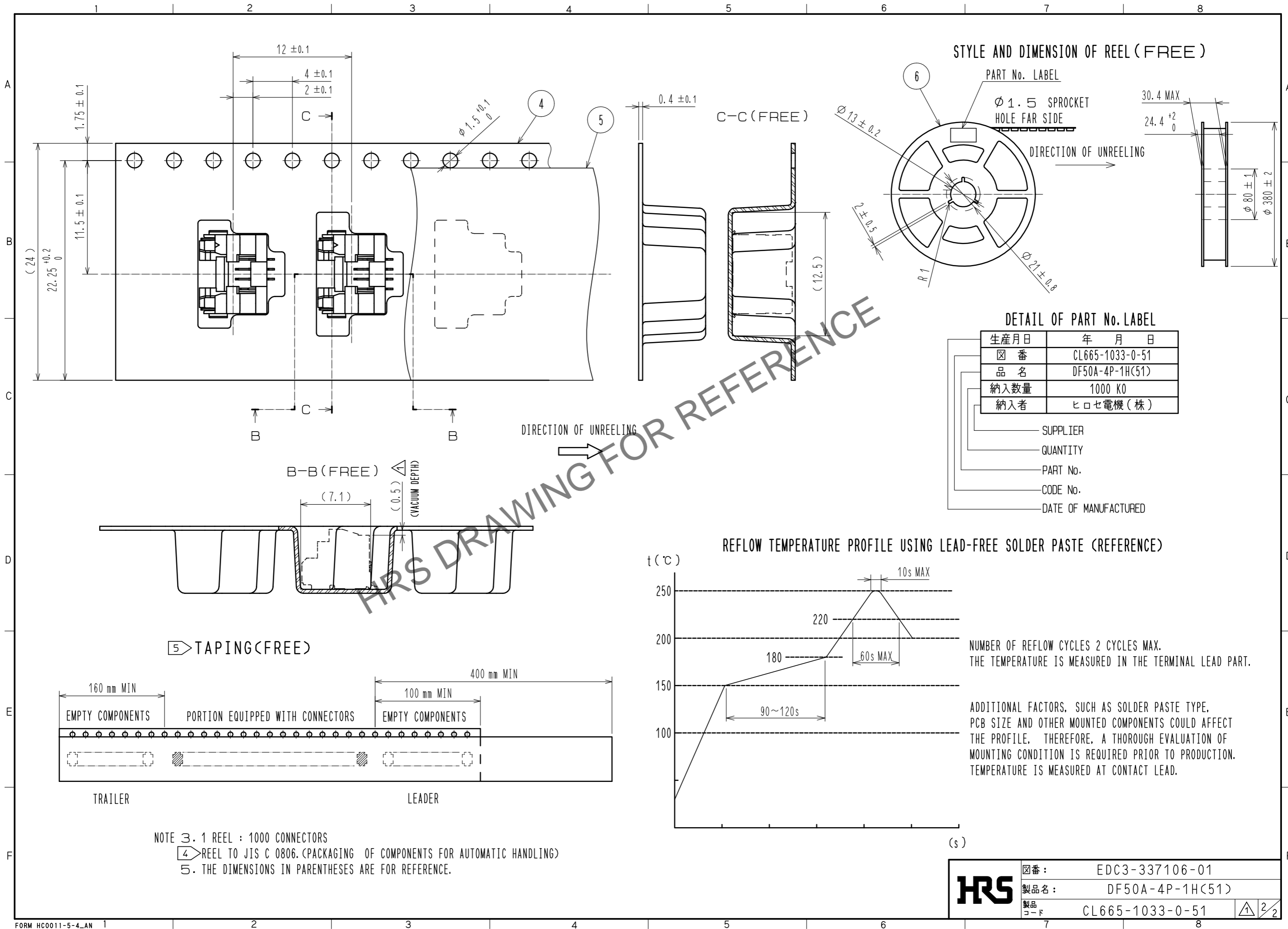
RECOMMENDED METAL MASK (FREE)
THICKNESS : 0.1mm
OPEN AREA RATIO:100%

MATING FIGURE(5:1)

- NOTES 1. LEAD CO-PLANARITY SHALL BE 0.1mm MAX
2. PLEASE CONSULT HIROSE WHEN THE PRODUCT IS MONUTED TO FPC.

3	BRASS	CONTACT AREA : Sn PLATING 1μm MIN UNDER PLATING : Cu PLATING 0.3μm MIN			
2	BRASS	CONTACT AREA : Au PLATING 0.05μm MIN LEAD AREA : Au PLATING 0.05μm MIN UNDER PLATING : Ni PLATING 1μm MIN	6	PS	REEL , BLACK
1	LCP	BLACK , UL94V-0	5	POLYESTER	CLEAR
			4	PS	CLEAR
NO.	MATERIAL	FINISH , REMARKS	NO.	MATERIAL	CLEAR
UNITS	mm	SCALE	COUNT	DESCRIPTION OF REVISIONS	DESIGNED
		5 : 1	1	DIS-H-00005113	HK. HAYASHI
					CHECKED
					SZ. ONO
					DATE
					20190729
APPROVED : KI. AKIYAMA		20120619	DRAWING NO. EDC3-337106-01		
CHECED : HK. UMEHARA		20120619	PART NO. DF50A-4P-1H(51)		
DESIGNED : ST. SATO		20120619	CODE NO. CL665-1033-0-51		
DRAWN : ST. SATO		20120619			

Feb.1.2025 Copyright 2025 HIROSE ELECTRIC CO., LTD. All Rights Reserved.
 In case of consideration for using Automotive equipment / device which demand high reliability, kindly contact our sales window correspondents.



HRS	図番:	EDC3-337106-01
	製品名:	DF50A-4P-1H(51)
	製品コード:	CL665-1033-0-51