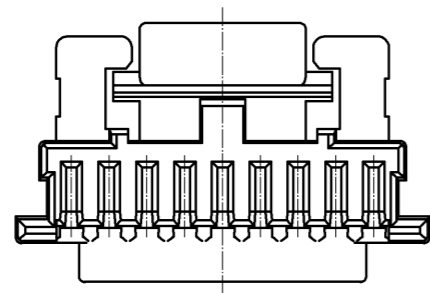
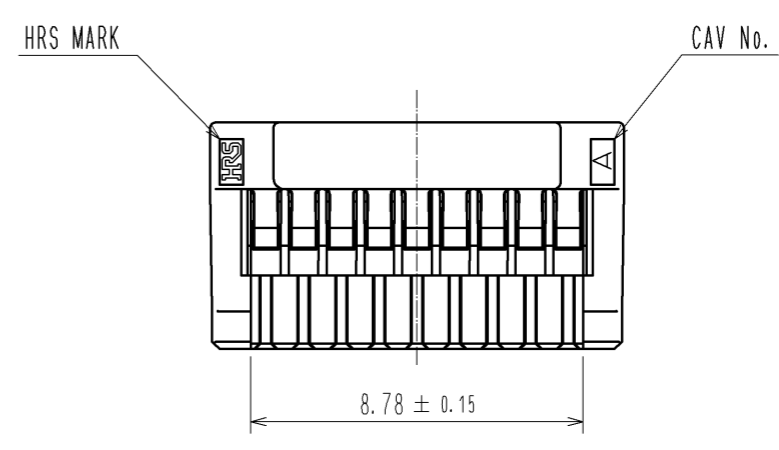
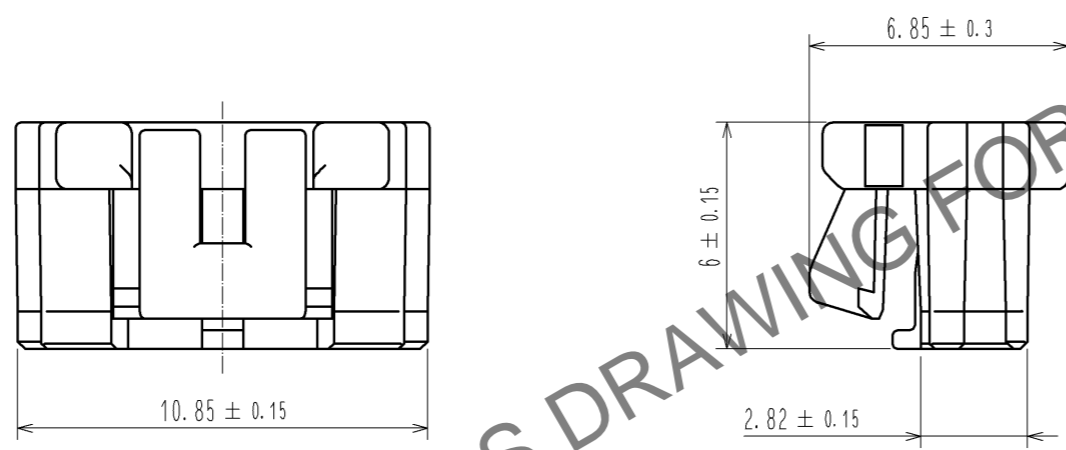
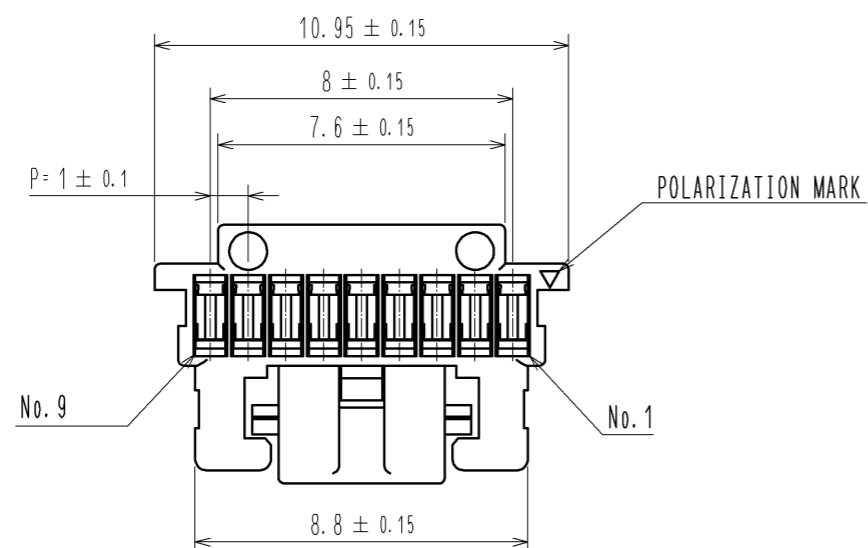


Feb.1.2025 Copyright 2025 HIROSE ELECTRIC CO., LTD. All Rights Reserved.  
 In case of consideration for using Automotive equipment / device which demand high reliability, kindly contact our sales window correspondents.



HRS DRAWING FOR REFERENCE

NOTE1. 100 PIECES PER PACK

|                           |  |                        |  |                  |  |                          |     |                 |         |      |
|---------------------------|--|------------------------|--|------------------|--|--------------------------|-----|-----------------|---------|------|
| NO.                       |  | MATERIAL               |  | FINISH . REMARKS |  | 1                        | PBT | UL94-V0. BLACK  |         |      |
| UNITS<br>mm               |  | SCALE<br>5 : 1         |  | COUNT<br>△       |  | DESCRIPTION OF REVISIONS |     | DESIGNED        | CHECKED | DATE |
| HIROSE ELECTRIC CO., LTD. |  | APPROVED : KI. AKIYAMA |  | 12.01.10         |  | DRAWING NO.              |     | EDC3-329669-00  |         |      |
|                           |  | CHECKED : OM. MIYAMOTO |  | 12.01.10         |  | PART NO.                 |     | DF50A-9S-1C     |         |      |
|                           |  | DESIGNED : ST. SATO    |  | 12.01.07         |  | CODE NO.                 |     | CL665-1100-5-00 |         |      |
|                           |  | DRAWN : ST. SATO       |  | 12.01.07         |  |                          |     |                 |         |      |