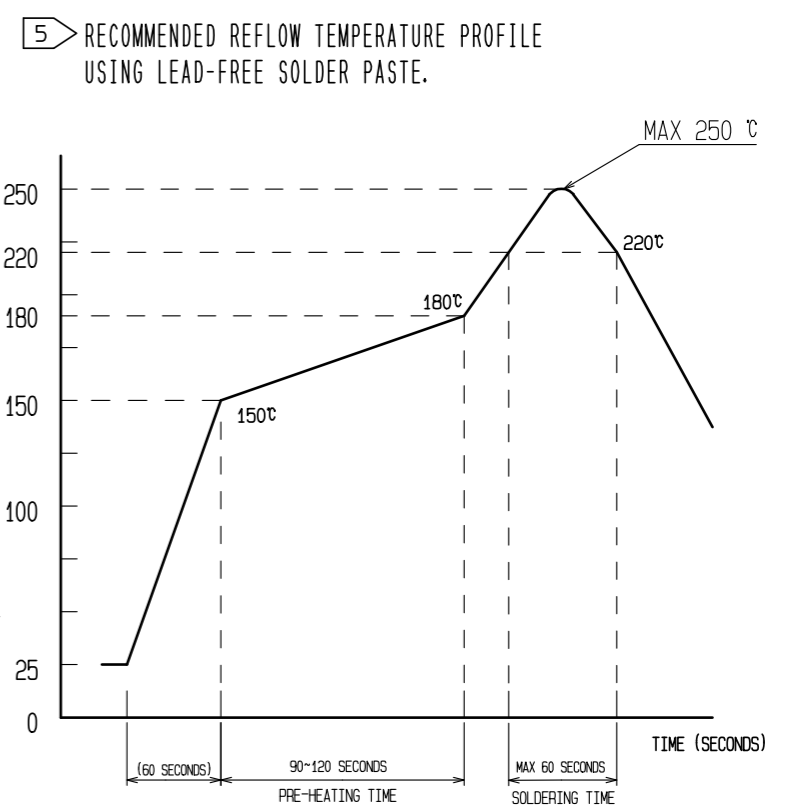
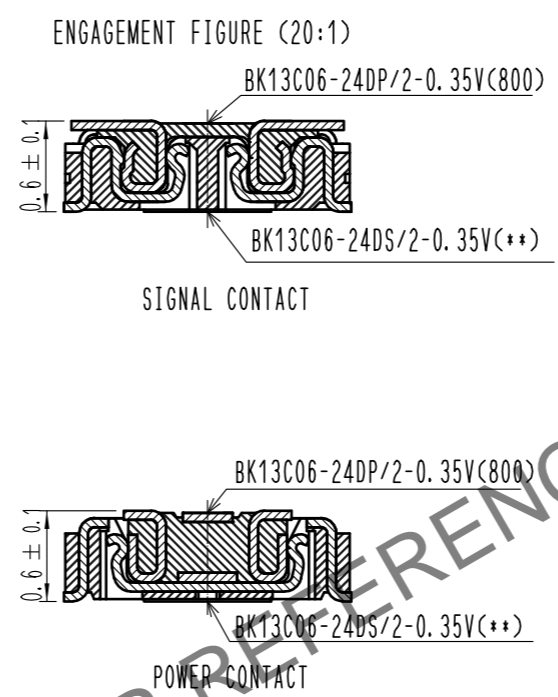
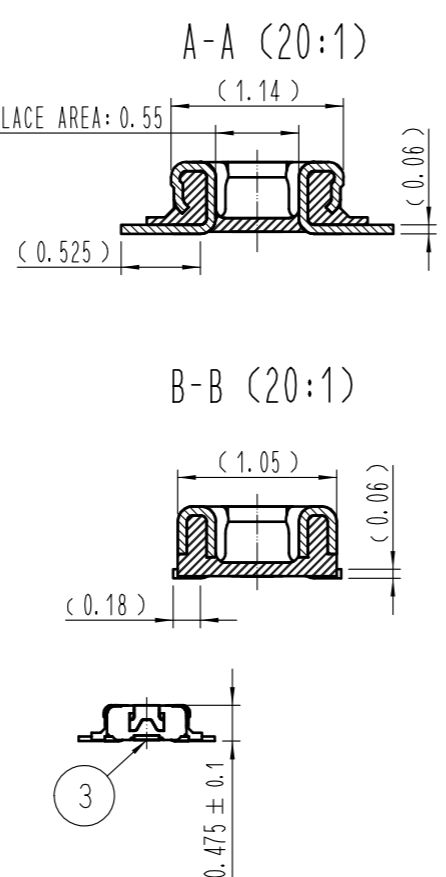
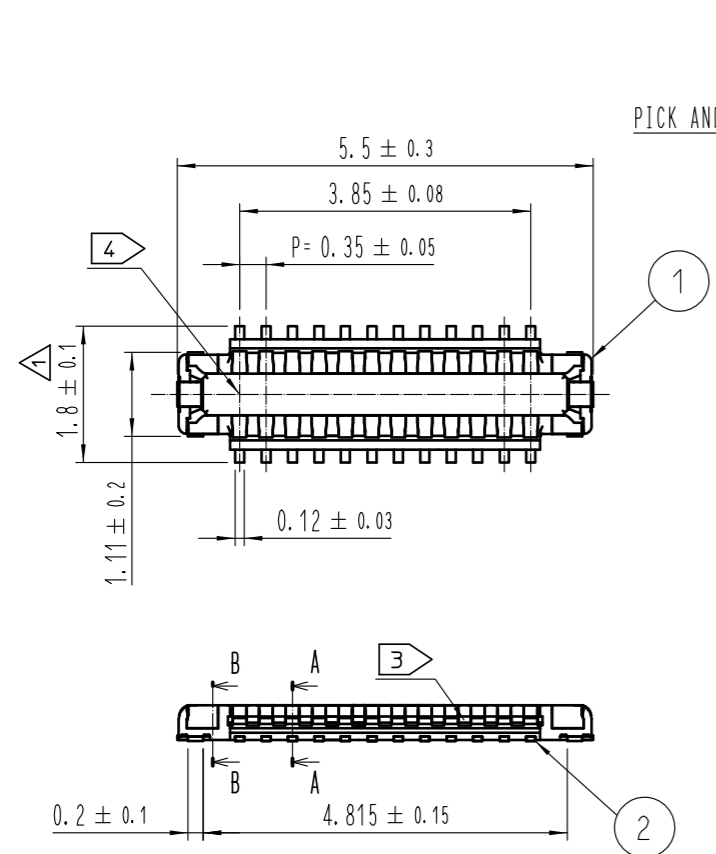
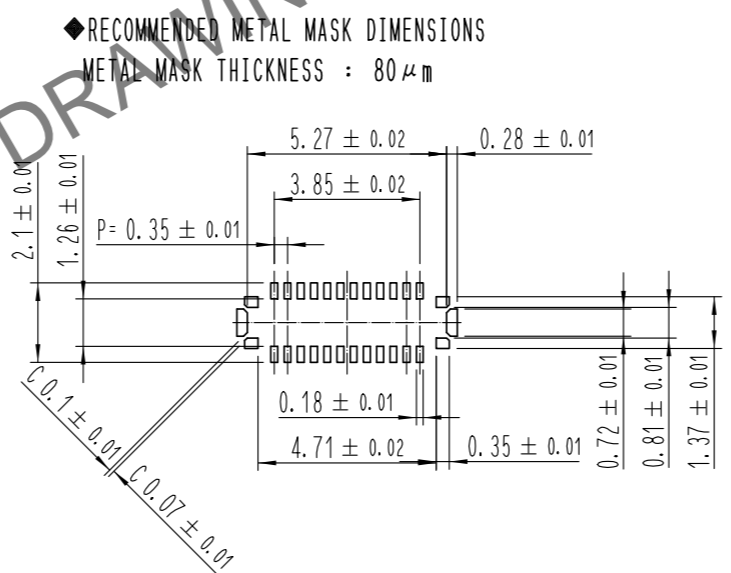
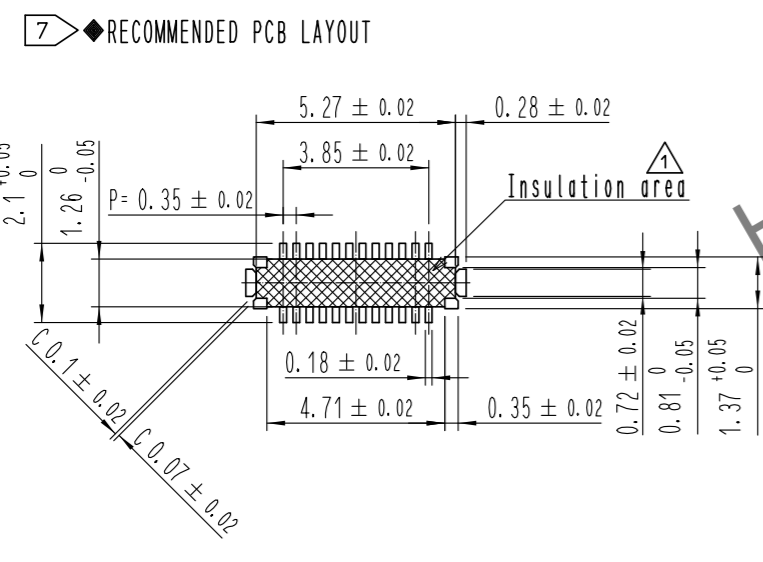


Jan.1.2025 Copyright 2025 HIROSE ELECTRIC CO., LTD. All Rights Reserved.  
 In case of consideration for using Automotive equipment / device which demand high reliability, kindly contact our sales window correspondents.



Reflow method: IR reflow  
 Number of reflow cycles: 2 cycles MAX.  
 1) Reflow time  
 Duration above 220°C, 60 sec MAX.  
 (Peak temperature: 250°C MAX)  
 2) Pre-heat time  
 Pre-heat temperature (MIN): 150°C  
 Pre-heat temperature (MAX): 180°C  
 Pre-heat time: 90-120 sec.



- 5 This temperature profile is based on the suggested metal mask and footprint. Please contact us if using different settings from our recommendation.
6. This product satisfies halogen free requirements defined as 900ppm maximum chlorine, 900ppm maximum bromine, and 1500ppm maximum total of chlorine and bromine.
7. This product comply with RoHS.

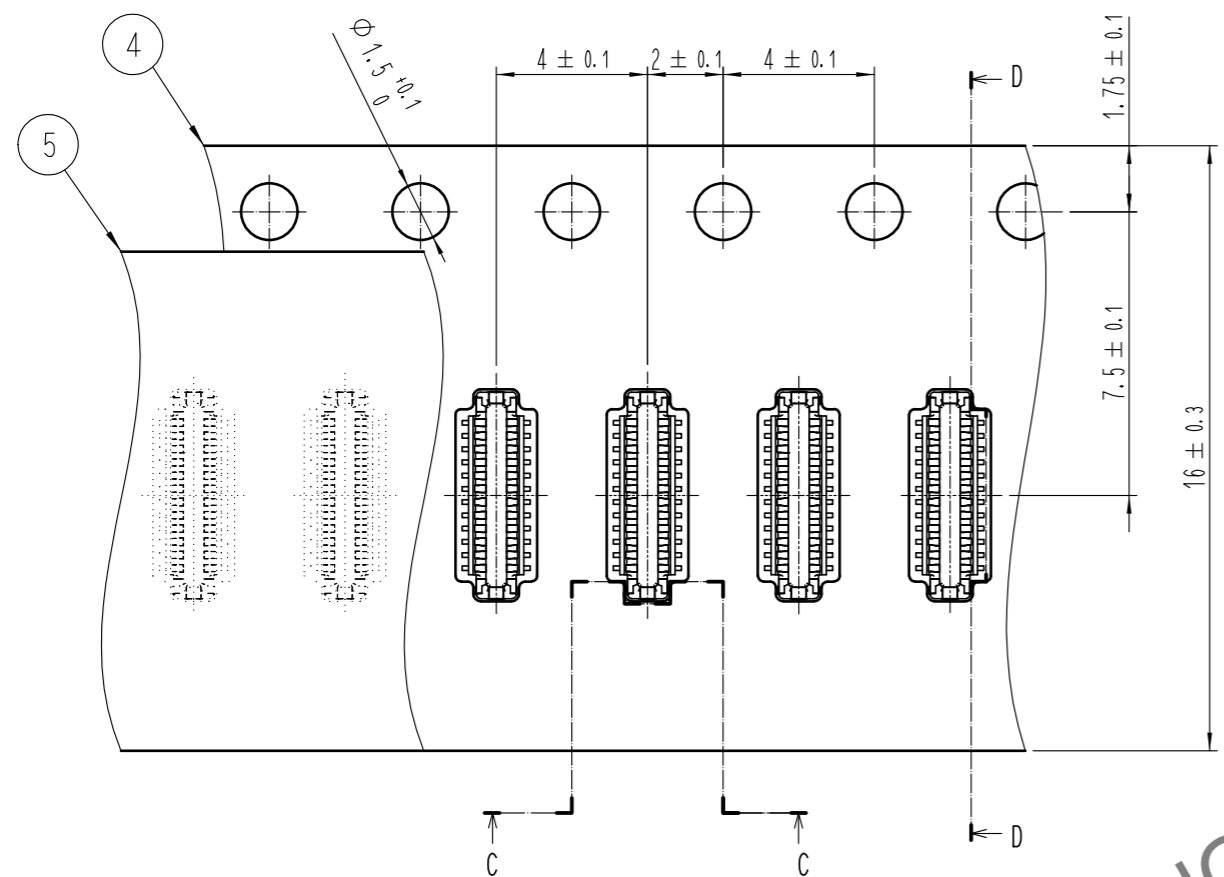
△ Note change

NOTE 1. All lead co-planarity will be 0.08mm MAX.  
 2 Contact plating specifications  
 Contact area : Gold 0.05 μm MIN  
 SMT lead : Gold 0.05 μm MIN  
 Under plating : Nickel 1 μm MIN  
 (Surface : Sealing)  
 3 A part of the wall could be notched.  
 4 Cavity number is indicated at approximate location.

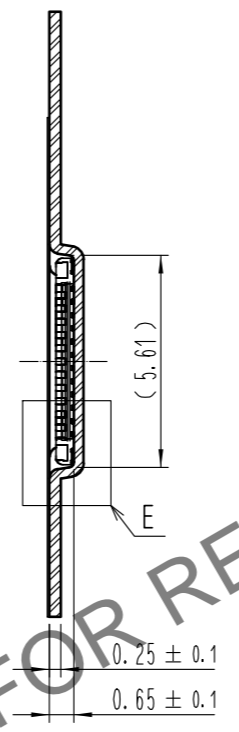
4	PS	CLEAR(EMBOSSED CARRIER TAPE)			
3	COPPER ALLOY	2	7	PS	CLEAR(REINFORCEMENT COLLAR)
2	COPPER ALLOY	2	6	PS	BLACK(PLASTIC REEL)
1	LCP	UL94 V-0, BLACK	5	POLYESTER	CLEAR(COVER TAPE)
NO.	MATERIAL	FINISH . REMARKS	NO.	MATERIAL	FINISH . REMARKS
UNITS	mm	SCALE	10:1	COUNT	5
		DESCRIPTION OF REVISIONS		DESIGNED	Y.T. TAKAGI
		DIS-H-00018641		CHECKED	RT. SHIMIZU
				DATE	20230719
APPROVED : TY. 001		20230616		DRAWING NO. EDC-403827-00-01	
CHECKED : RT. SHIMIZU		20230616		PART NO. BK13C06-24DP/2-0.35V(800)	
DESIGNED : YT. TAKAGI		20230615		CODE NO. CL0673-0142-0-00	
DRAWN : YT. TAKAGI		20230615			

# EMBOSSED CARRIER TAPE PACKAGING (5:1)

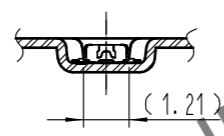
# STYLE AND DIMENSION OF REEL (FREE)



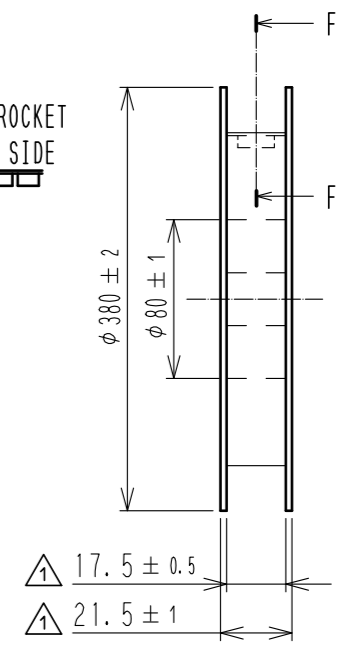
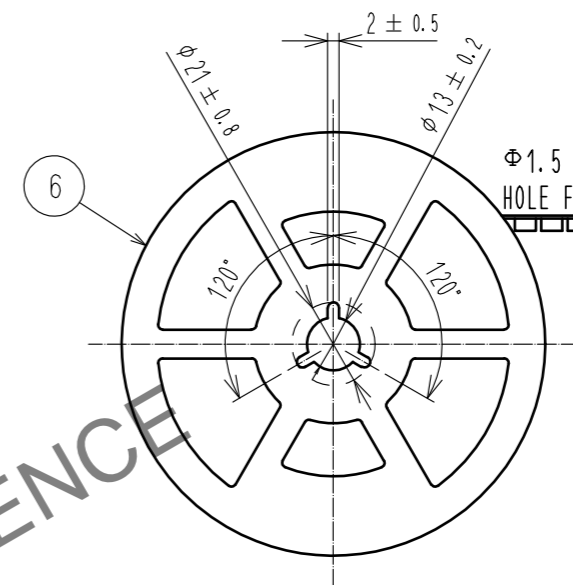
## D-D (5:1)



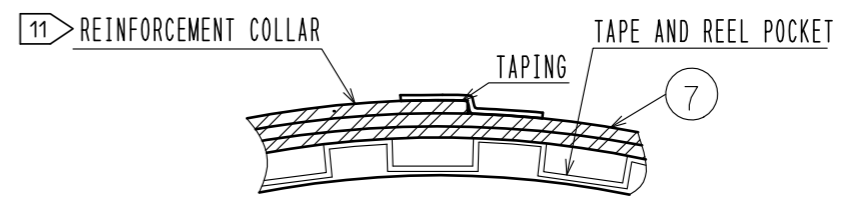
## C-C (5:1)



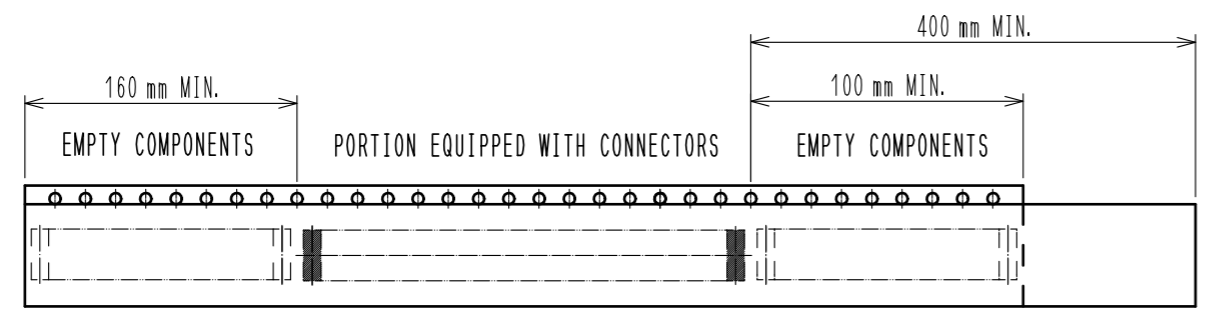
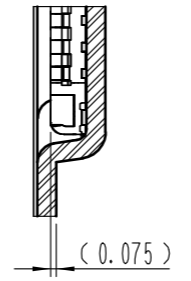
DIRECTION OF UNREELING  
→



## F-F (FREE)



## E (10:1)



- 8 . 20,000 connectors per reel.
- 9 . The dimensions in parentheses are for reference.
- 10 . Refer to IEC 60286-3 (packaging of components for automatic handling)
- 11 . The reinforcing collar is wrapped around the emboss tape and taped down at the end of the collar.

<b>HRS</b>	DRAWING NO.	EDC-403827-00-01
	PART NO.	BK13C06-24DP/2-0.35V(800)
	CODE NO.	CL0673-0142-0-00
		2/2

In case of consideration for using Automotive equipment / device which demand high reliability, kindly contact our sales window correspondents.