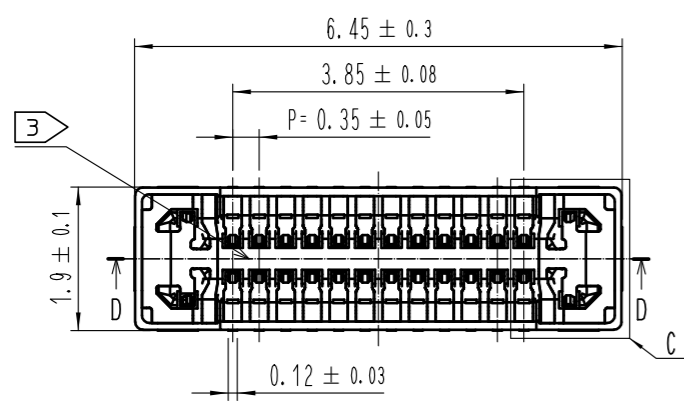
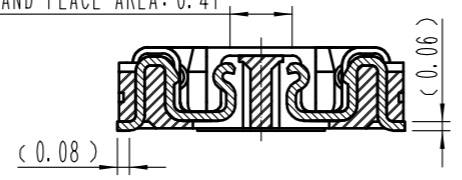


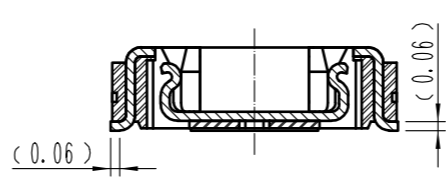
Jan.1.2025 Copyright 2025 HIROSE ELECTRIC CO., LTD. All Rights Reserved.  
In case of consideration for using Automotive equipment / device which demand high reliability, kindly contact our sales window correspondents.



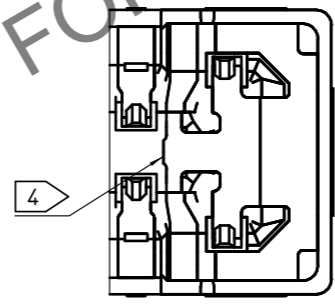
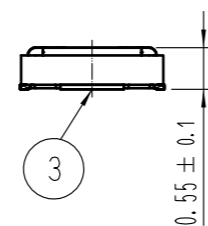
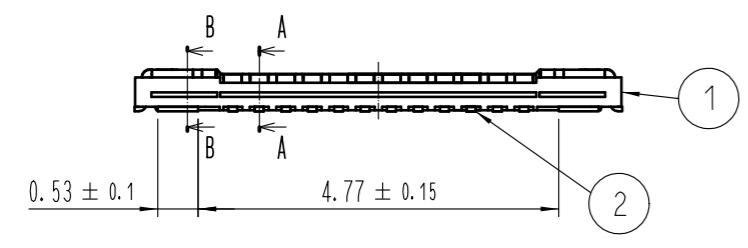
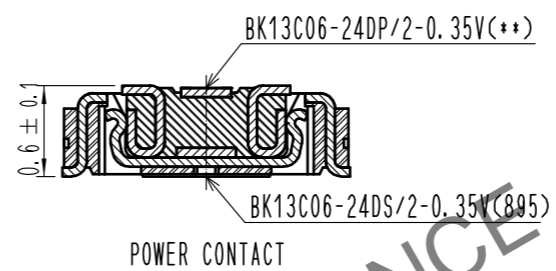
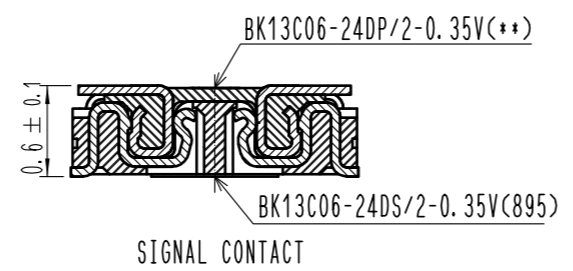
A-A (20:1)



B-B (20:1)

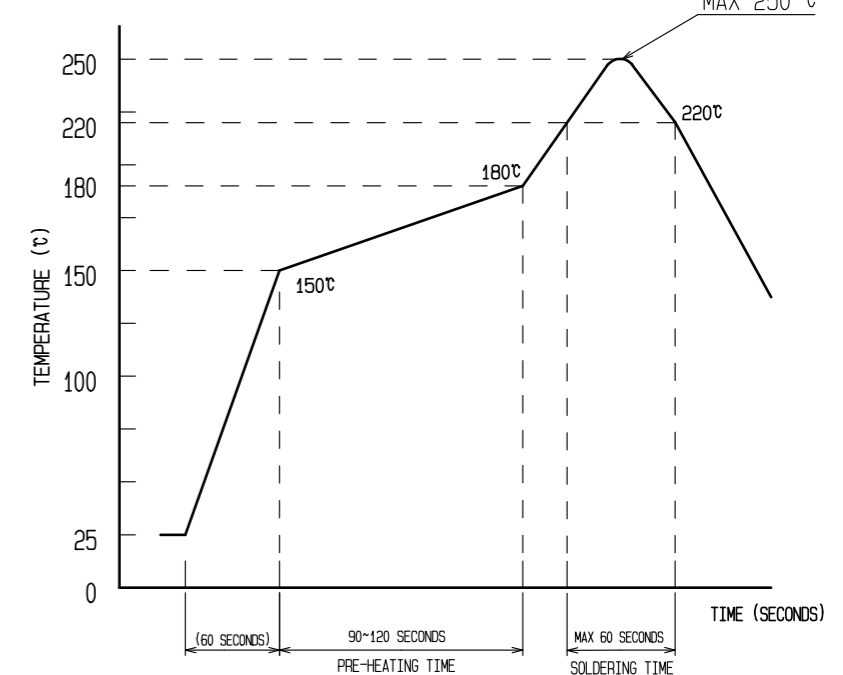


ENGAGEMENT FIGURE (20:1)



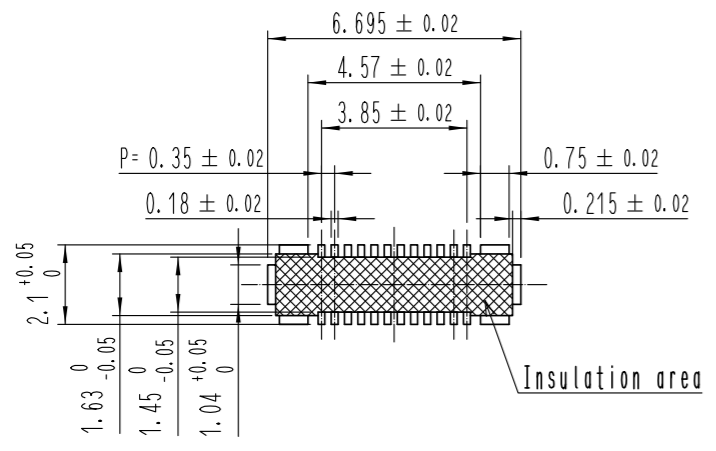
- NOTE 1. All lead co-planarity will be 0.08mm MAX.  
 2 Contact plating specifications  
 Contact area : Gold 0.05μm MIN  
 SMT lead : Gold 0.05μm MIN  
 Under plating : Nickel 1μm MIN  
 (Surface : Sealing)  
 3 Cavity number is indicated at approximate location.  
 4 There is also the shape as indicated.

5 RECOMMENDED REFLOW TEMPERATURE PROFILE USING LEAD-FREE SOLDER PASTE.

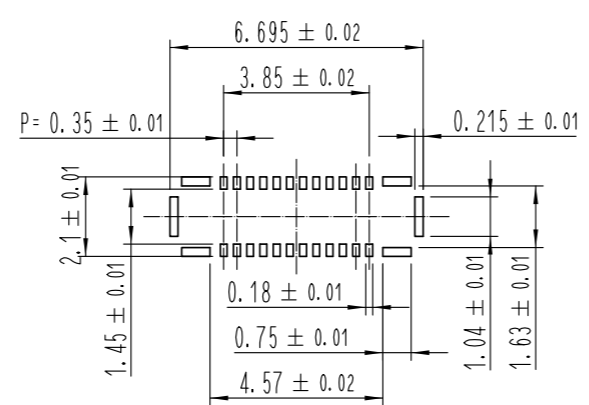


- Reflow method: IR reflow  
 Number of reflow cycles: 2 cycles MAX.  
 1) Reflow time  
 Duration above 220°C, 60 sec MAX.  
 (Peak temperature: 250°C MAX)  
 2) Pre-heat time  
 Pre-heat temperature (MIN): 150°C  
 Pre-heat temperature (MAX): 180°C  
 Pre-heat time: 90-120 sec.

6 RECOMMENDED PCB LAYOUT



RECOMMENDED METAL MASK DIMENSIONS

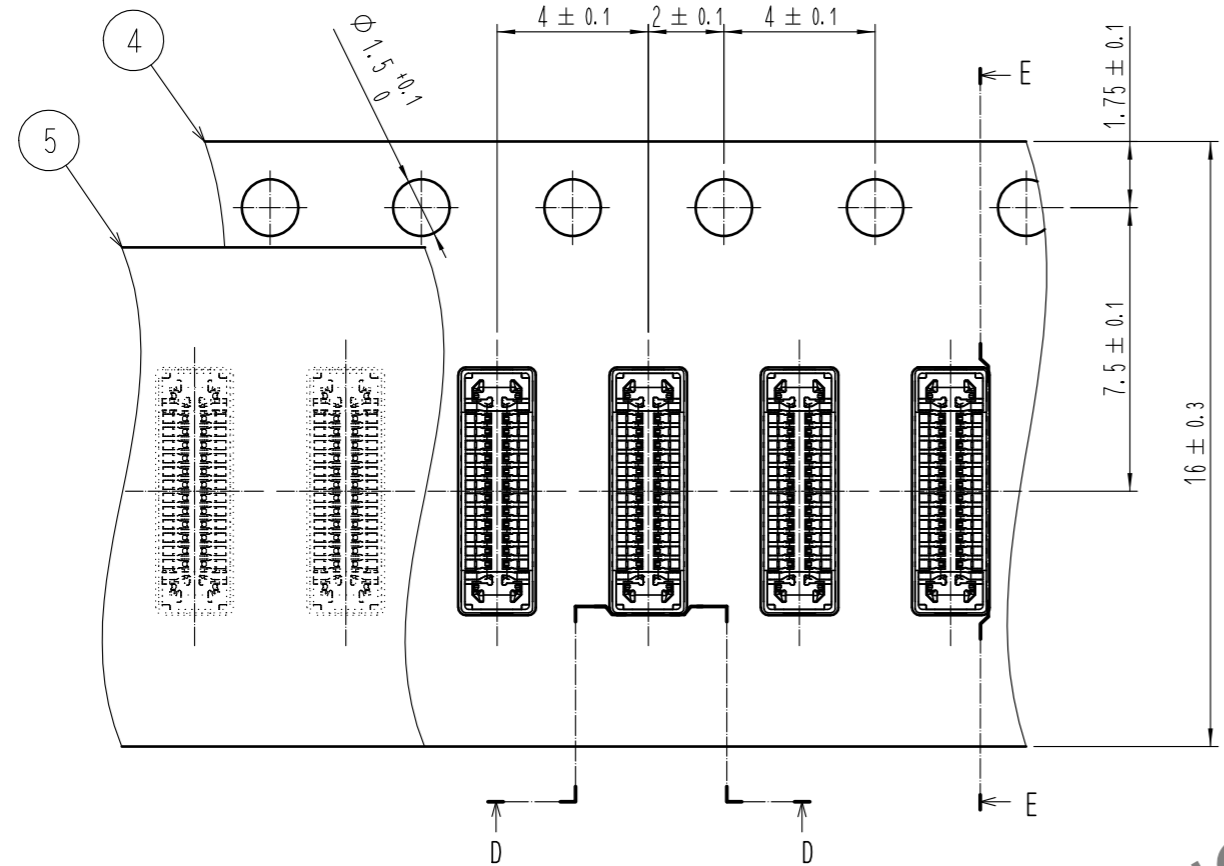


- 5 This temperature profile is based on the suggested metal mask and footprint. Please contact us if using different settings from our recommendation.  
 6. This product satisfies halogen free requirements defined as 900ppm maximum chlorine, 900ppm maximum bromine, and 1500ppm maximum total of chlorine and bromine.  
 7. This product comply with RoHS.

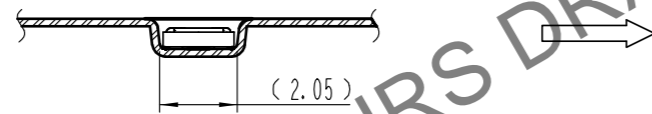
4	PS	CLEAR(EMBOSSED CARRIER TAPE)			
3	COPPER ALLOY	2	7	PS	CLEAR (REINFORCEMENT COLLAR)
2	COPPER ALLOY	2	6	PS	BLACK (PLASTIC REEL)
1	LCP	UL94 V-0, BLACK	5	POLYESTER	CLEAR (COVER TAPE)
NO.	MATERIAL	FINISH . REMARKS	NO.	MATERIAL	FINISH . REMARKS
UNITS mm		SCALE 10 : 1	COUNT 2	DESCRIPTION OF REVISIONS DIS-H-00018706	DESIGNED YT. TAKAGI
APPROVED : TY. 001		20230616	DRAWING NO. EDC-403847-00-01		
CHECKED : RT. SHIMIZU		20230616	PART NO. BK13C06-24DS/2-0.35V(895)		
DESIGNED : YT. TAKAGI		20230615	CODE NO. CL0673-0145-0-00		
DRAWN : YT. TAKAGI		20230615	1/2		
			DATE 20230727		
			CHECKED RT. SHIMIZU		

Jan.1.2025 Copyright 2025 HIROSE ELECTRIC CO., LTD. All Rights Reserved.  
 In case of consideration for using Automotive equipment / device which demand high reliability, kindly contact our sales window correspondents.

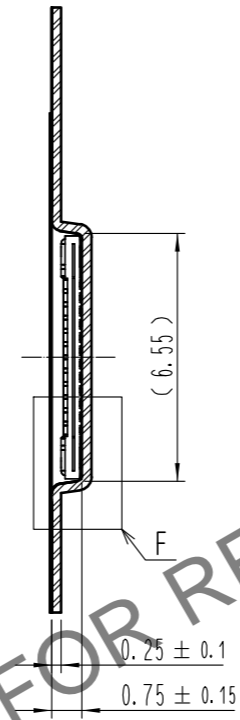
### EMBOSSED CARRIER TAPE PACKAGING (5:1)



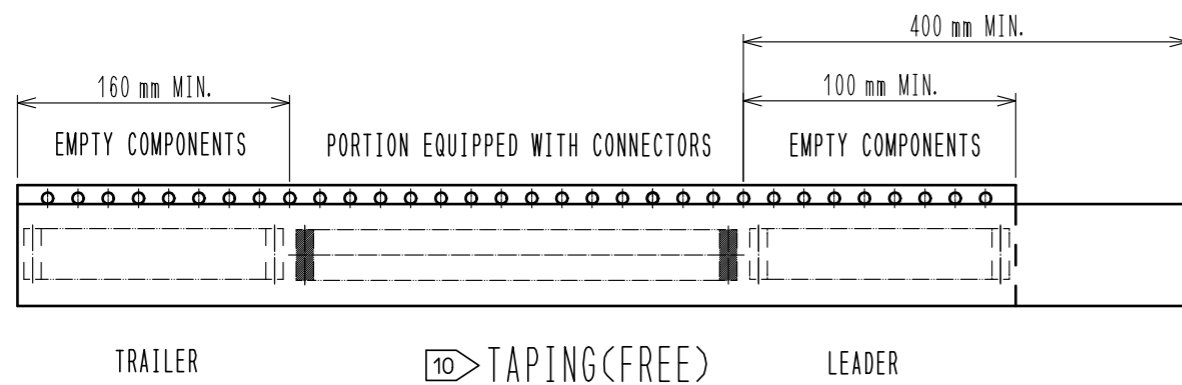
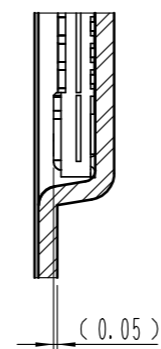
D-D (5:1)



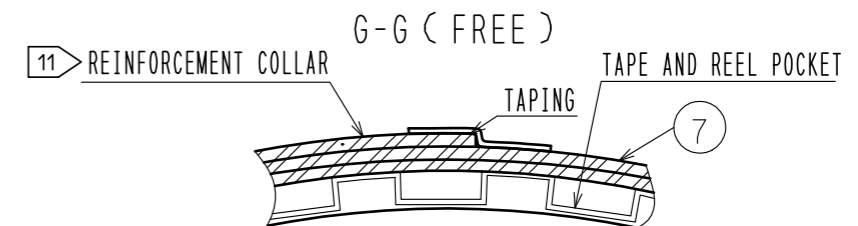
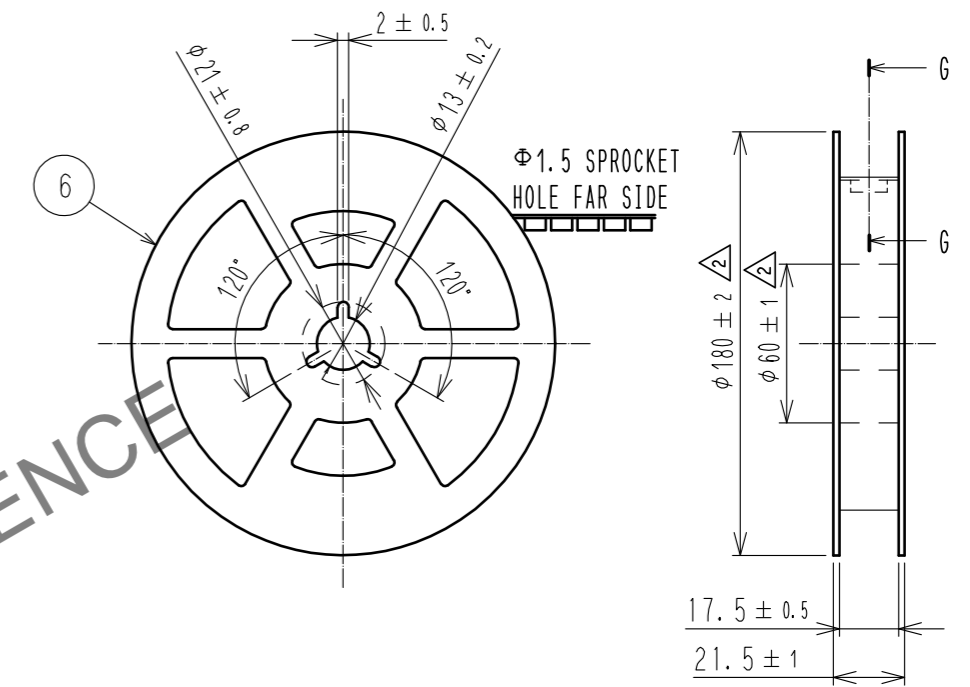
E-E (5:1)



F (10:1)



### STYLE AND DIMENSION OF REEL (FREE)



- 8 . 1,000 connectors per reel.
- 9 . The dimensions in parentheses are for reference.
- 10 . Refer to IEC 60286-3 (packaging of components for automatic handling)
- 11 . The reinforcing collar is wrapped around the emboss tape and taped down at the end of the collar.

<b>HRS</b>	DRAWING NO.	EDC-403847-00-01	
	PART NO.	BK13C06-24DS/2-0.35V(895)	
	CODE NO.	CL0673-0145-0-00	$\frac{2}{2}$