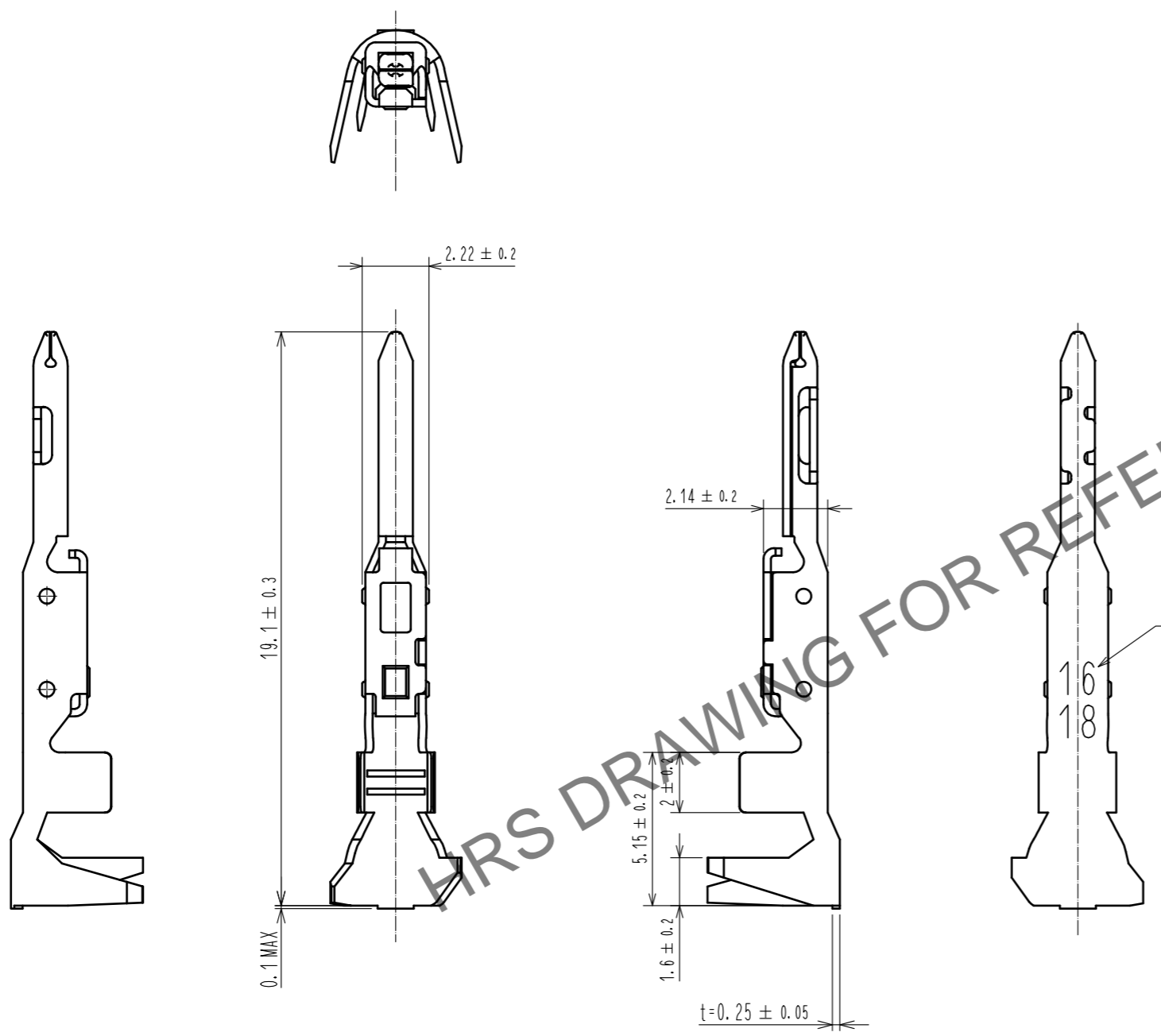


Feb.1.2025 Copyright 2025 HIROSE ELECTRIC CO., LTD. All Rights Reserved.
 In case of consideration for using Automotive equipment / device which demand high reliability, kindly contact our sales window correspondents.



Notes 1. Per Pack : 100 Pieces.
 2. UL(File No. E52653)
 C-UL(File No. E52653)
 TUV (Certificate No. R50318850) authorization article.



NO.		MATERIAL		FINISH . REMARKS		NO.		MATERIAL		FINISH . REMARKS	
						1		Phosphor bronze		Tin plating : 1μm MIN	
UNITS		SCALE	COUNT	DESCRIPTION OF REVISIONS				DESIGNED	CHECKED	DATE	
mm		5 : 1									
HRS HIROSE ELECTRIC CO., LTD.		APPROVED : KI. AKIYAMA	15.10.29	DRAWING NO. EDC-361982-00-00							
		CHECKED : TS. FUKUSHIMA	15.10.29	PART NO. DF63-1618PC							
		DESIGNED : YK. YAMAGUCHI	15.10.29	CODE NO. CL680-0536-8-00							
		DRAWN : MI. SAKIMURA	15.10.28								