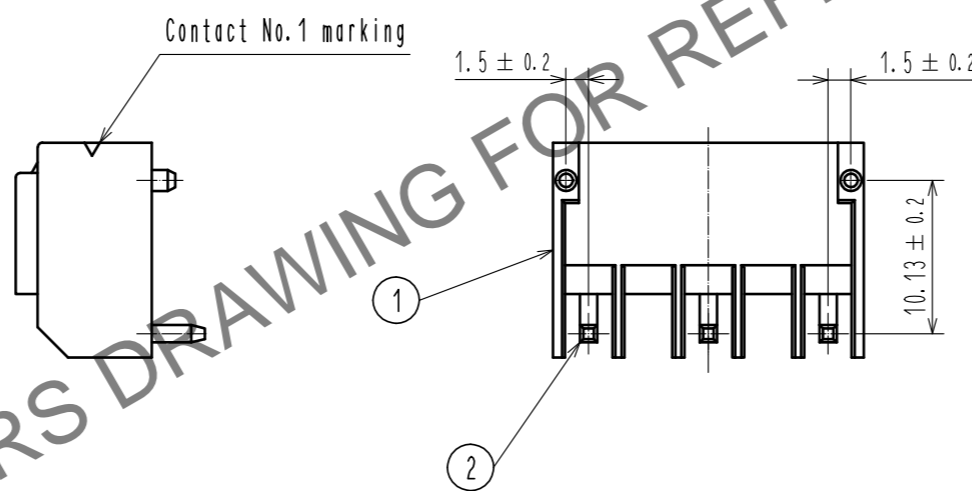
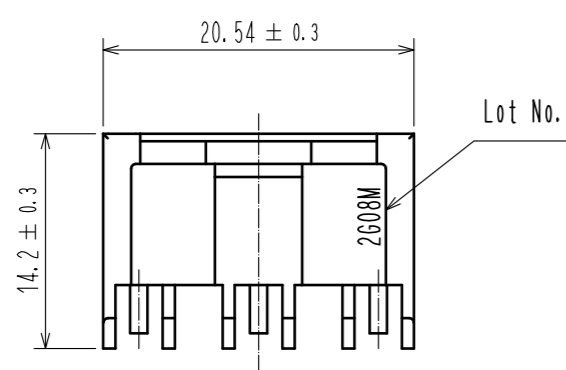
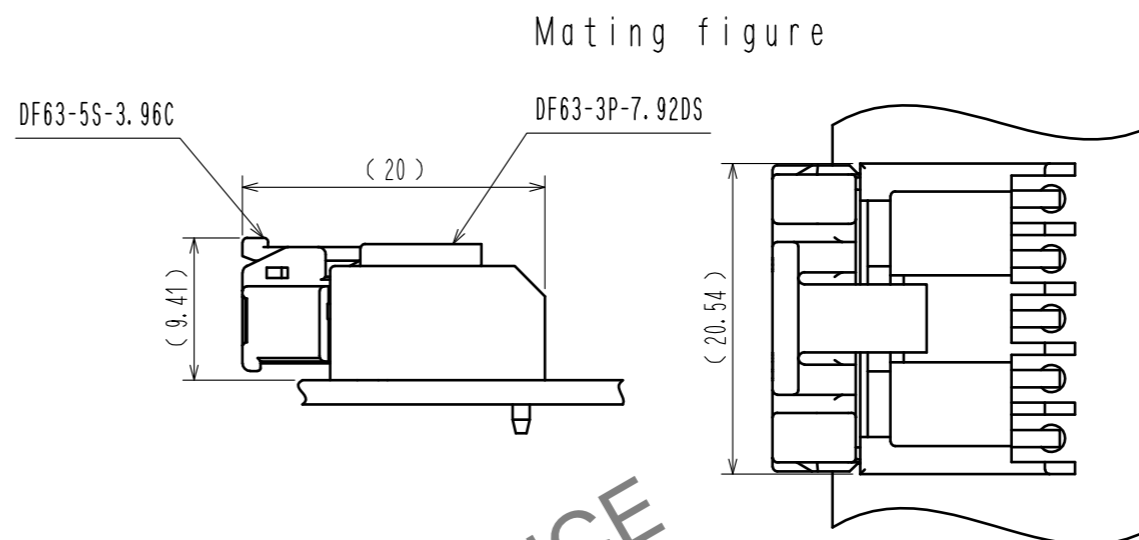
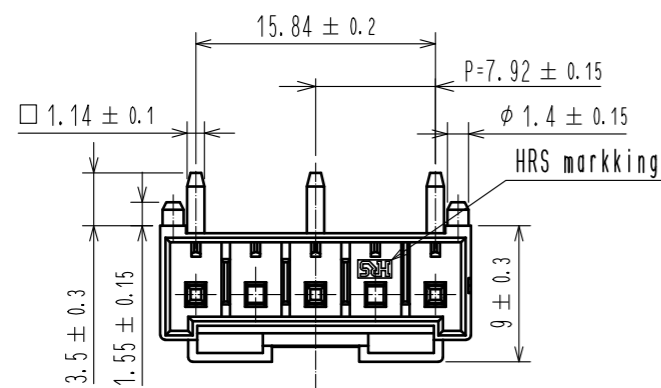
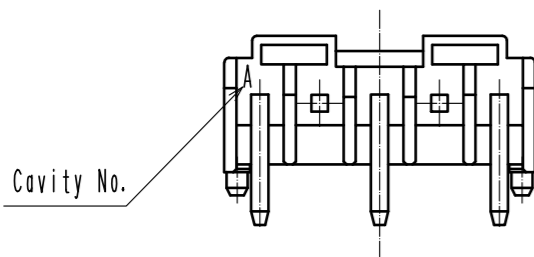
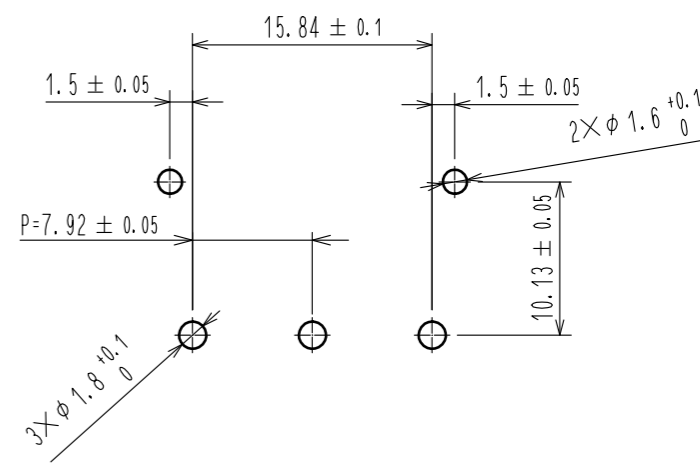


Feb.1.2026 Copyright 2026 HIROSE ELECTRIC CO., LTD. All Rights Reserved.
 In case of consideration for using Automotive equipment / device which demand high reliability, kindly contact our sales window correspondents.



Recommended pattern(FREE)
 (Recommended board thickness t=1.6mm)



NOTE. 1. Per Pack : 100 Pieces.
 2. The dimension in parenthesis are for reference.
 3. UL(File No. E52653)
 C-UL(File No. E52653)
 TUV (Certificate No. R50318850) authorization article.



1	PBT	UL94V-0(BLACK)	2	Brass	Tin plating 1μm MIN
NO.	MATERIAL	FINISH . REMARKS	NO.	MATERIAL	FINISH . REMARKS
UNITS mm		SCALE 2 : 1	COUNT 1	DESCRIPTION OF REVISIONS DIS-H-00004209	DESIGNED TS. KUMAZAWA
APPROVED : HS. OKAWA		16.07.13		DESIGNED	18.09.12
CHECKED : TS. FUKUSHIMA		16.07.13		CHECKED	
DESIGNED : YK. YAMAGUCHI		16.07.12		DATE	
DRAWN : MI. SAKIMURA		16.07.12			
DRAWING NO. EDC-365877-00-00			PART NO. DF63-3P-7.92DS		
CODE NO. CL680-0559-0-00			1/1		