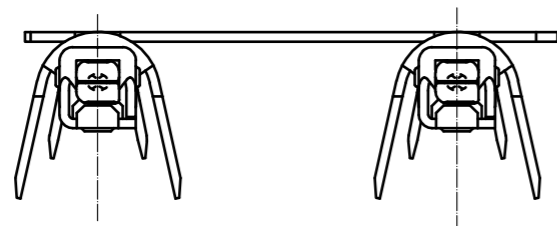
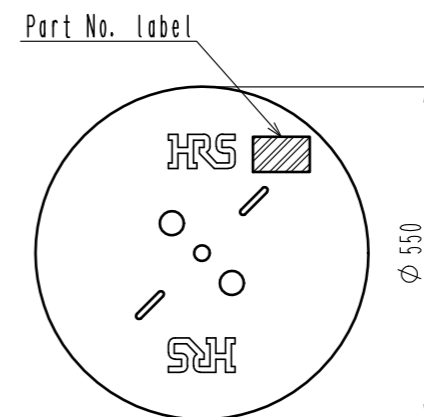


Feb.1.2025 Copyright 2025 HIROSE ELECTRIC CO., LTD. All Rights Reserved.
In case of consideration for using Automotive equipment / device which demand high reliability, kindly contact our sales window correspondents.

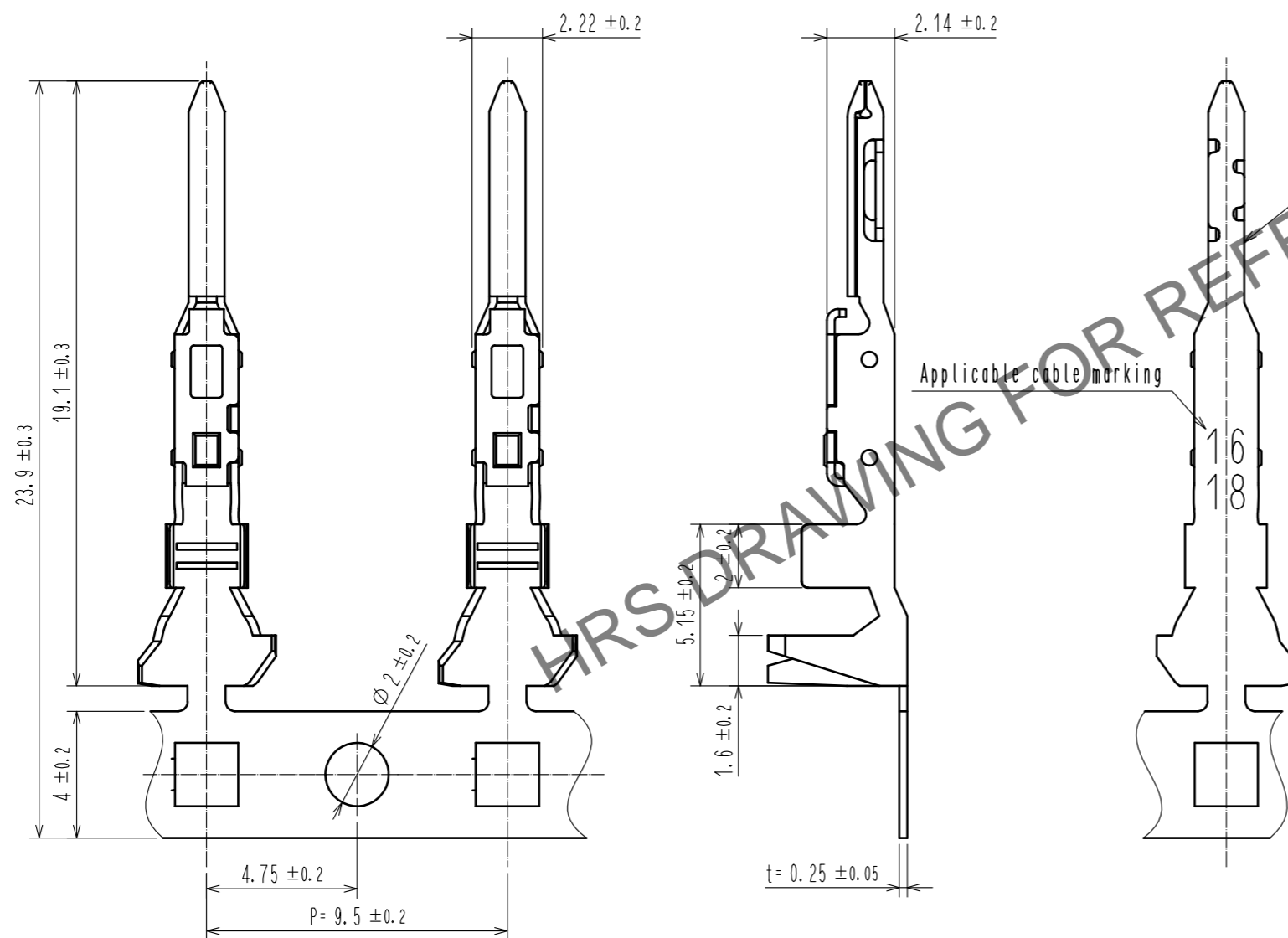


2 Reel style and dimensions



Detail of part No. label

HRS		Inspection
Code No.	CL680-0636-0	
Part No.	DF63-1618PCFA	
Quantity	4000	
Specification		
Lot No.		
Section		



- Notes
- 1RL : 4000 contacts.
 - 2 Style of reel and box are shown in figure.
 - Up to 4 reels are packed up in one box.
 - Please be sure to check the form of crimping using a cable when you adjust applicator.
 - UL (File No. E52653)
C-UL (File No. E52653)
TUV (Certificate No. R50318850) authorization article.



1	Copper alloy	Contact area : Gold plating 0.2μm MIN Carrier and barrel area : Tin plating 1μm MIN Others : Nickel plating 1μm MIN
---	--------------	---

NO.	MATERIAL	FINISH . REMARKS	NO.	MATERIAL	FINISH . REMARKS
UNITS mm		SCALE 5 : 1	COUNT 	DESCRIPTION OF REVISIONS	
APPROVED : SJ. OKAMURA 20210730			DRAWING NO. EDC-382872-00-00		
CHECKED : SZ. ONO 20210730			PART NO. DF63-1618PCFA		
DESIGNED : TS. KUMAZAWA 20210730			CODE NO. CL0680-0636-0-00		
DRAWN : YK. MITSUISHI 20210730			DATE		