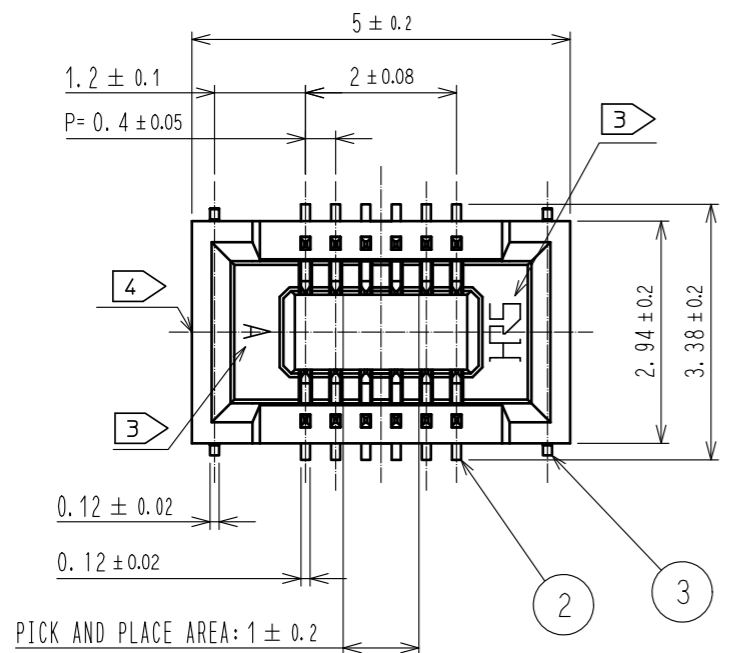
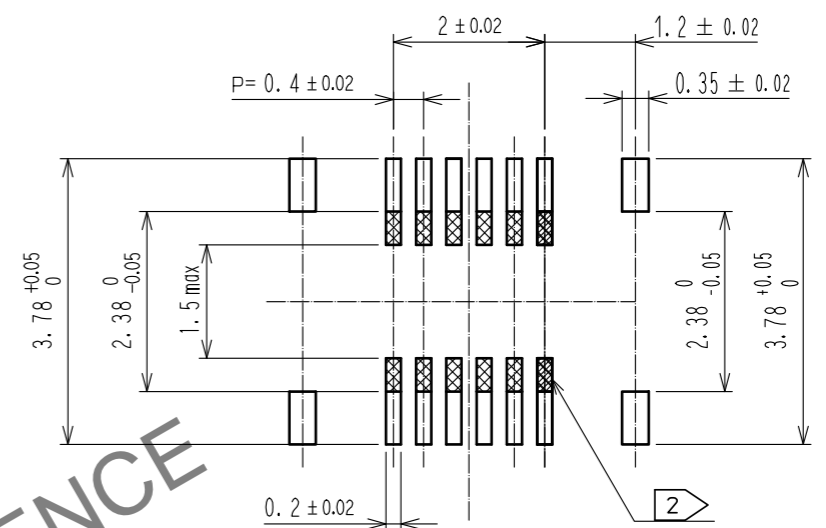


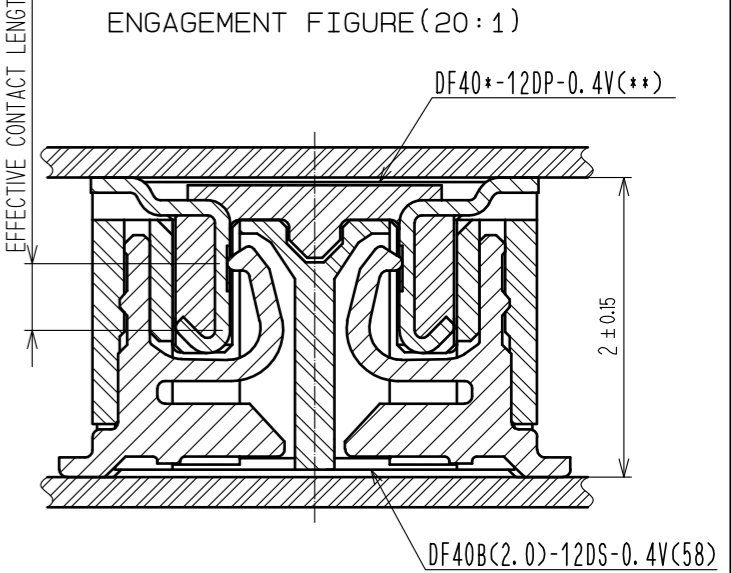
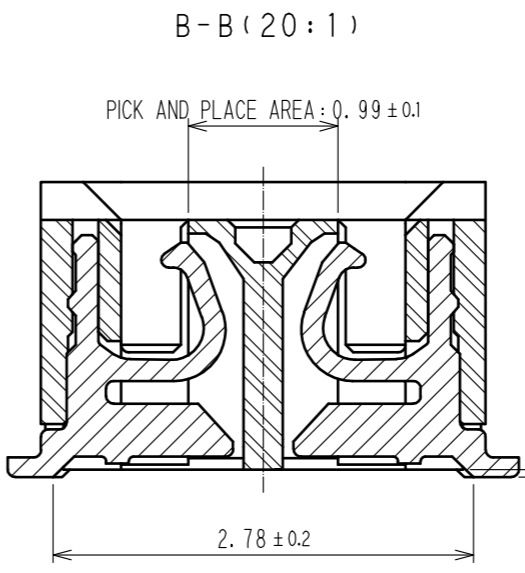
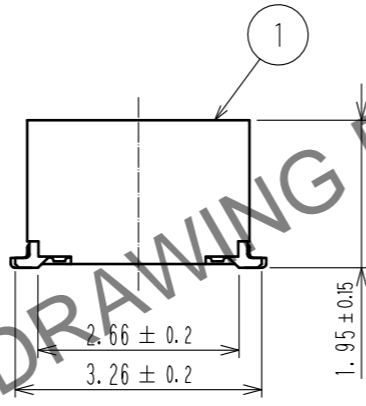
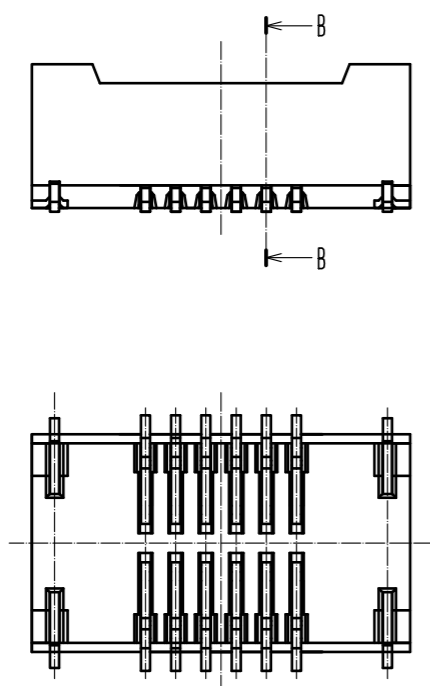
Mar.1.2025 Copyright 2025 HIROSE ELECTRIC CO., LTD. All Rights Reserved.
In case of consideration for using Automotive equipment / device which demand high reliability, kindly contact our sales window correspondents.



RECOMMENDED PATTERN



RECOMMENDED METAL MASK THICKNESS: 120 μm
RECOMMENDED METAL MASK OPENING RATIO: 80% FOR LEAD PAD

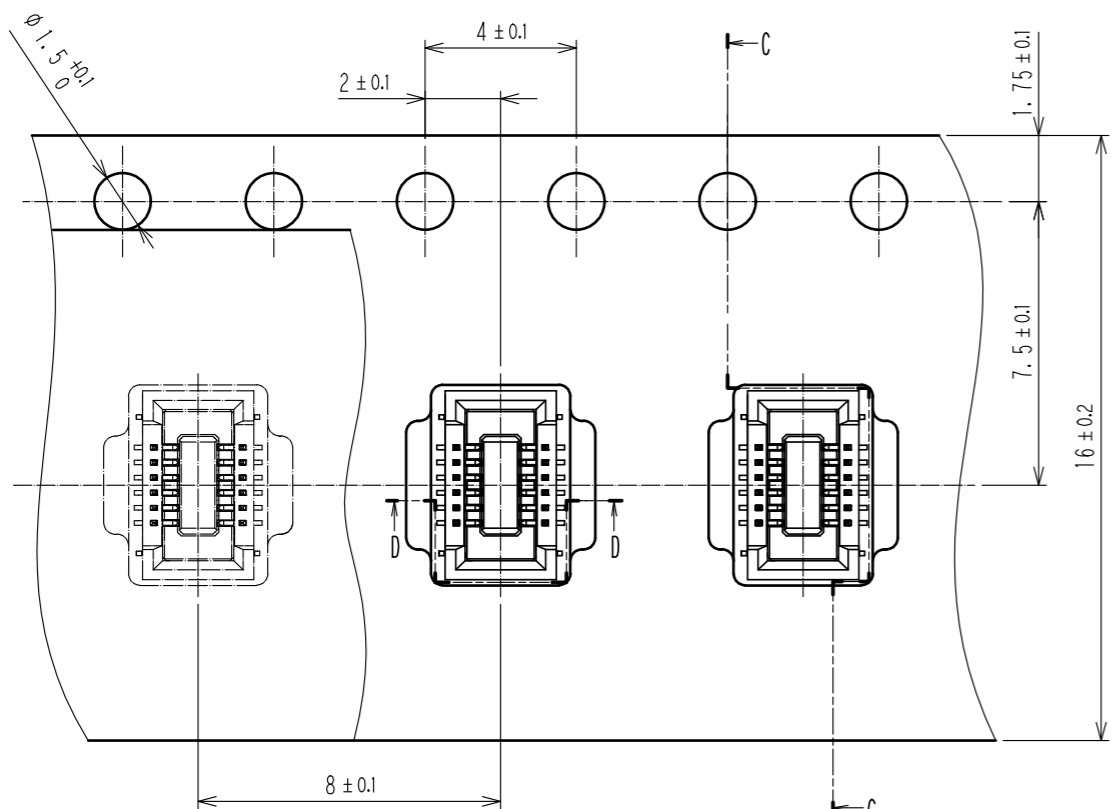


- NOTES) 1. ALL LEADS CO-PLANARITY SHALL BE 0.1MAX.
 2. IS NO PATTERN AREA OTHER THAN THE SAME CIRCUIT.
 3. HRS MARK AND CAV NO. IS INDICATED IN APPROX POSITION SHOWN.
 4. GATE POSITON IS POSITIONED IN APPROXIMAL AREA SHOWN.

2	PHOSPHOR BRONZE	CONTACT AREA:GOLD 0.05 μm MIN SMT LEAD:GOLD 0.05 μm MIN UNDERPLATING:NICKEL 1 μm MIN	7	PS	CLEAR, REINFORCEMENT COLLAR		
1	LCP	BLACK, UL94V-0	6	PS	BLACK, PLASTIC REEL		
			5	POLYESTER	CLEAR, COVER TAPE		
			4	PS	CLEAR, EMBOSSED CARRIER TAPE		
			3	PHOSPHOR BRONZE	GOLD 0.05 μm		
NO.	MATERIAL	FINISH . REMARKS	NO.	MATERIAL	FINISH . REMARKS		
UNITS mm		SCALE 10:1	COUNT	DESCRIPTION OF REVISIONS	DESIGNED	CHECKED	DATE
HRS	HIROSE ELECTRIC CO., LTD.	APPROVED :MO. ISHIDA	16. 10. 05	DRAWING NO.	EDC-332417-58-01		
		CHECED :TS. MIYAZAKI	16. 10. 05	PART NO.	DF40B(2.0)-12DS-0.4V(58)		
		DESIGNED :SH. HOSODA	16. 10. 05	CODE NO.	CL684-4150-8-58		
		DRAWN :SN. NUMAZAKI	16. 10. 04		1/2		

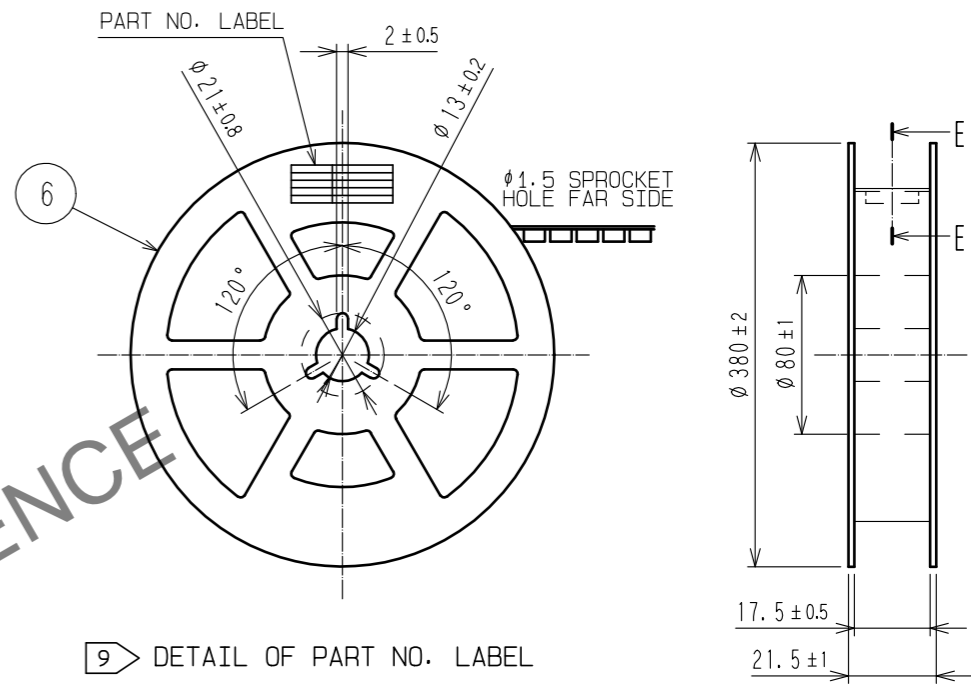
Mar.1.2025 Copyright 2025 HIROSE ELECTRIC CO., LTD. All Rights Reserved.
In case of consideration for using Automotive equipment / device which demand high reliability, kindly contact our sales window correspondents.

EMBOSSED CARRIER TAPE DIMENSIONS (5:1)



DIRECTION OF UNREELING

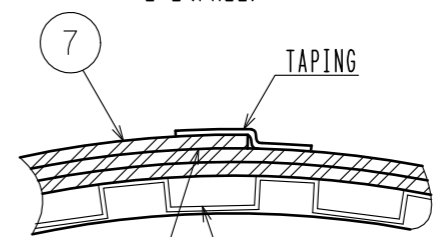
STYLE AND DIMENSION OF REEL (FREE)



9) DETAIL OF PART NO. LABEL

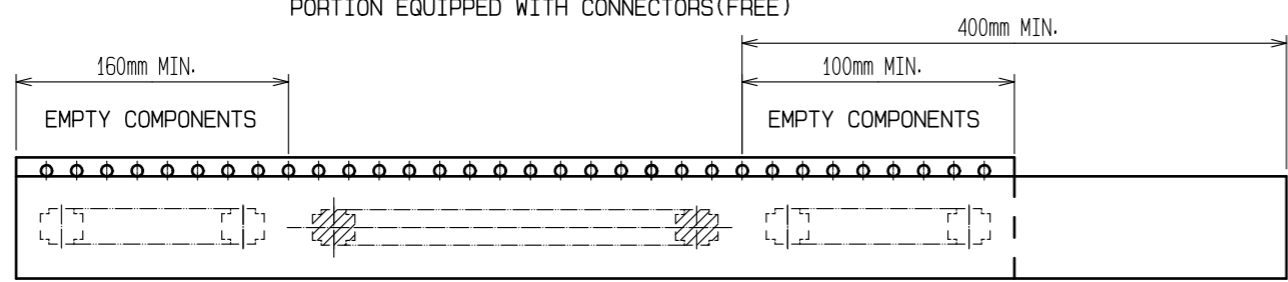
製造年月日	** ** *
製品コード	CL684-4150-8-58
製品名	DF40B(2.0)-12DS-0.4V(58)
数量	1000
納入者	ヒロセ電機(株)

E-E(FREE)



8) REINFORCEMENT COLLAR TAPE AND REEL POCKET

PORTION EQUIPPED WITH CONNECTORS(FREE)



- NOTES) 5. PER REEL 1000 CONNECTORS.
6. THE DIMENSIONS IN PARENTHESSES ARE FOR REFERENCE.
7) REFER TO JIS C 0806 (IEC 60286-3.PACKING OF COMPONENTS FOR AUTOMATIC HANDLING)
8) AFTER PACKAGING, ROLL 2 METERS OF THE REINFORCEMENT COLLAR TO OUTER CIRCUMFERENCE OF TAPE AND REEL POCKET, AND TAPE DOWN AT THE END THE COLLAR.
9) DETAIL OF PART No. LABEL IS WRITTEN IN JAPANESE.
PART NO. LABEL DESCRIBS THE FOLLOWING INFOMATION FROM TOP.
Production Date:
Product Code: CL684-4150-8-58
Part No:DF40B(2.0)-12DS-0.4V(58)
Number of pieces:1000pieces
Supplier Name:Hirose Electric Co., Ltd.

HRS	DRAWING NO.	EDC-332417-58-01
	PART NO.	DF40B(2.0)-12DS-0.4V(58)
	CODE NO.	CL684-4150-8-58
		\triangle 2/2