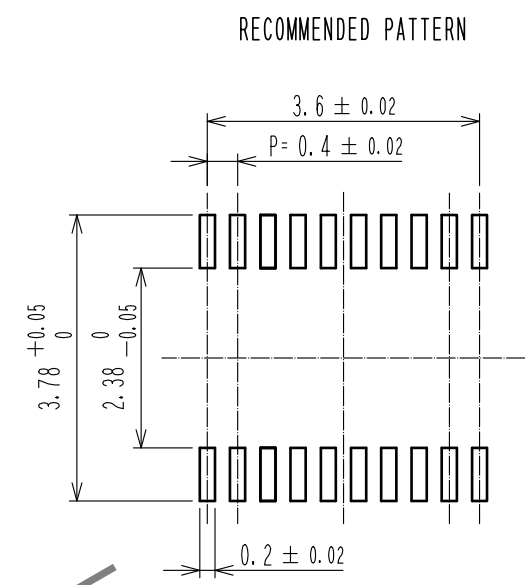
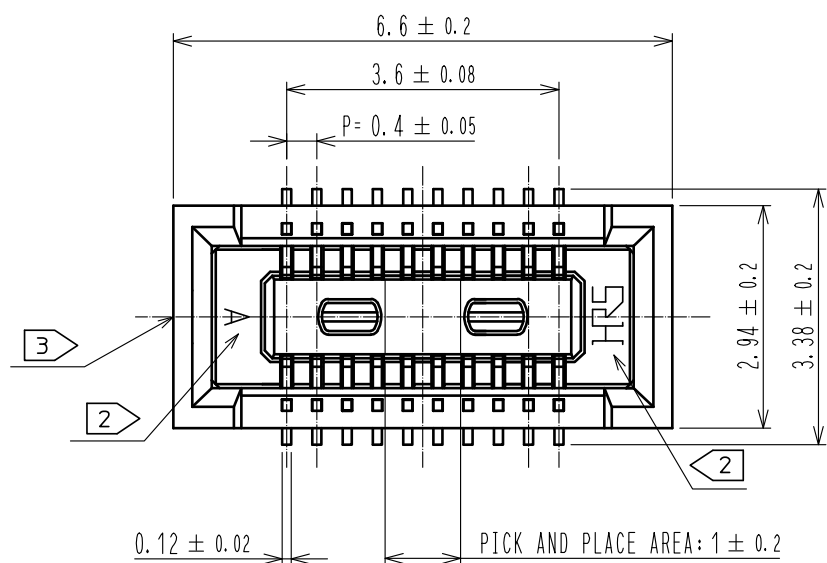
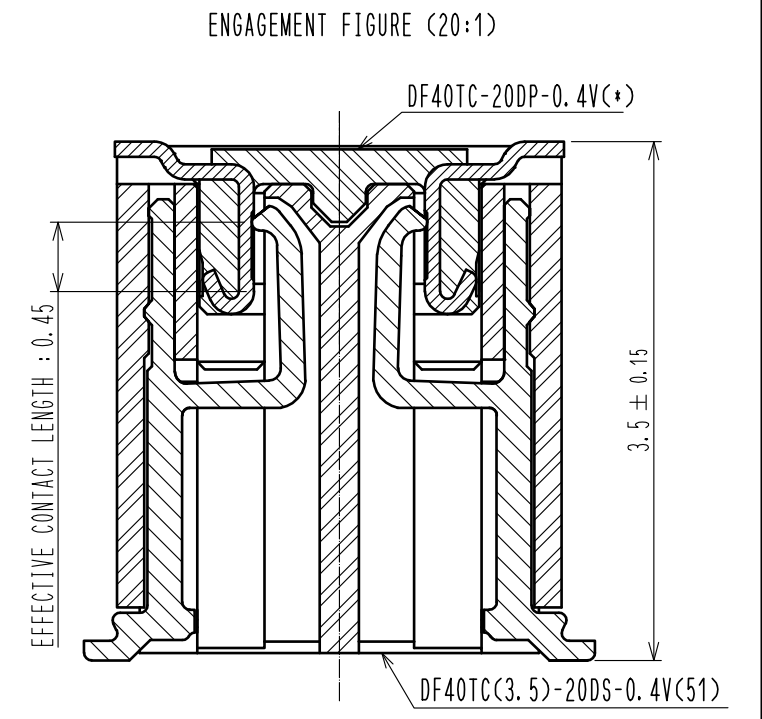
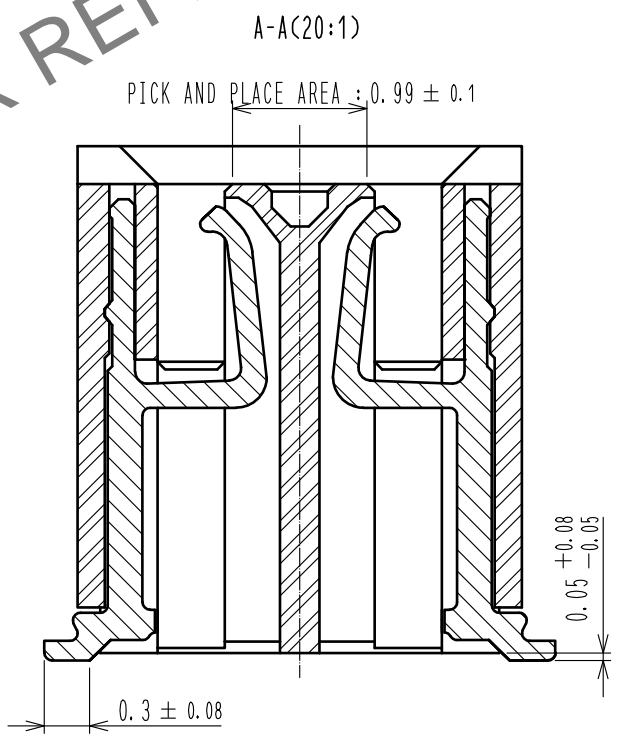
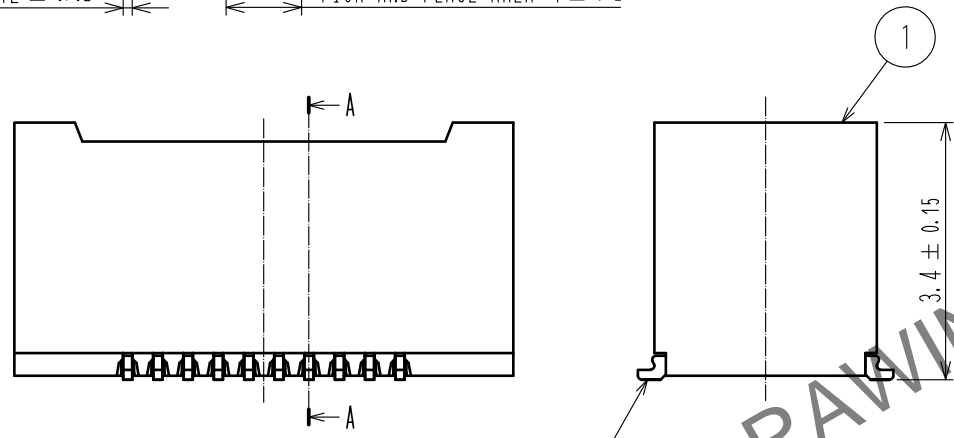


Jul.1.2024 Copyright 2024 HIROSE ELECTRIC CO., LTD. All Rights Reserved.
 In case of consideration for using Automotive equipment / device which demand high reliability, kindly contact our sales window correspondents.



RECOMMENDED METAL MASK THICKNESS : 120 μm
 RECOMMENDED METAL MASK OPENING RATIO : 80% FOR LEAD PAD



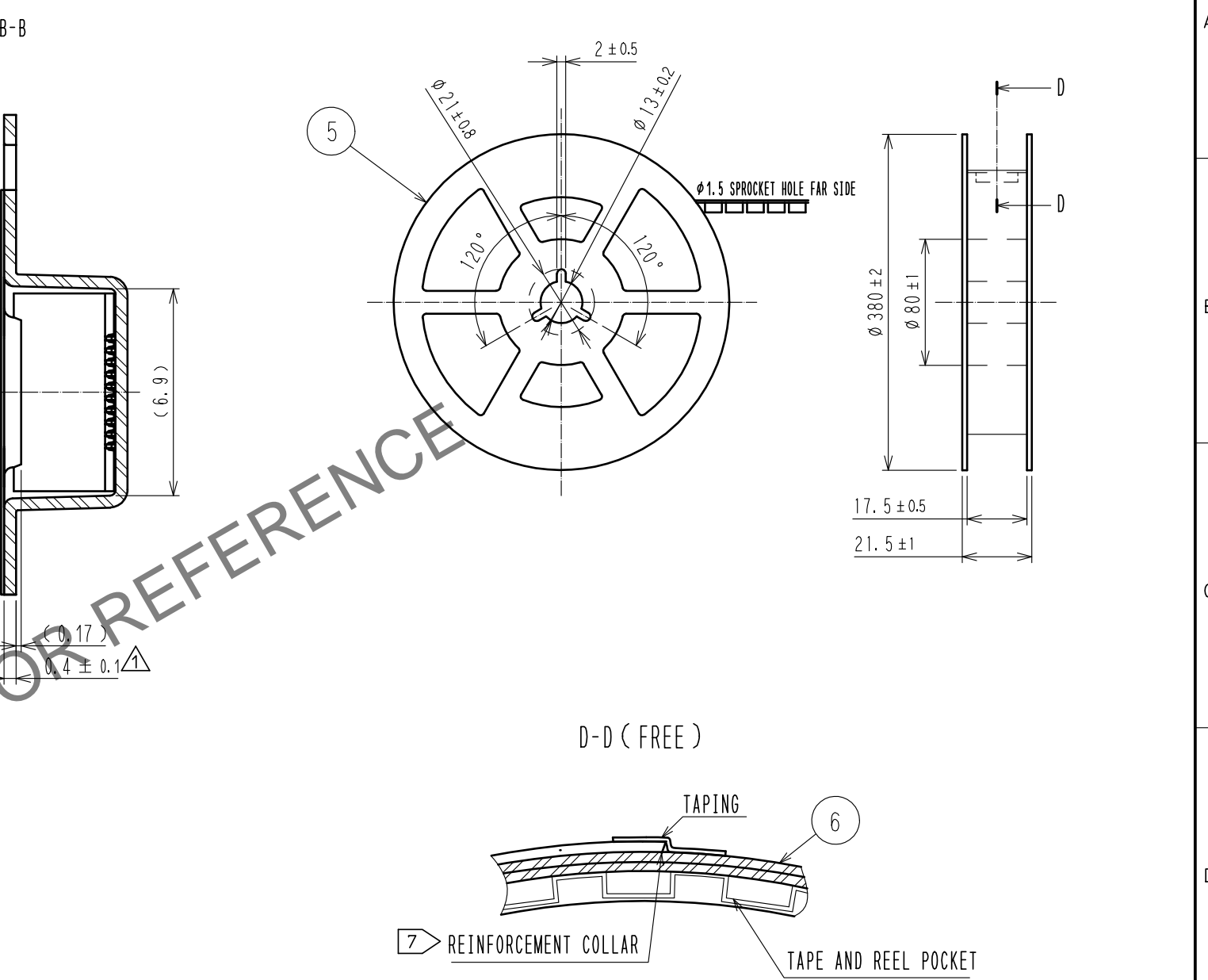
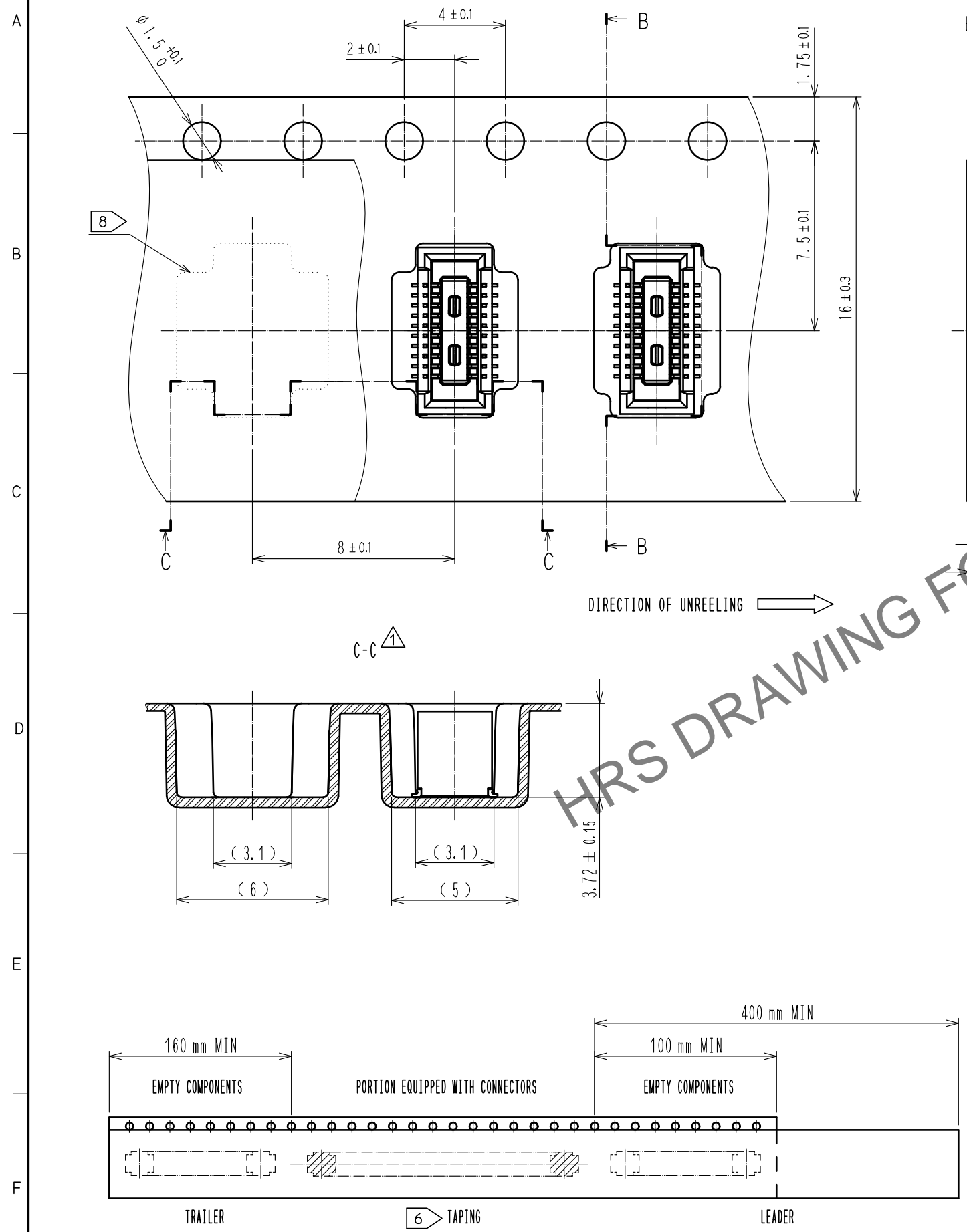
- NOTES) 1. ALL LEADS CO-PLANARITY SHALL BE 0.1 MAX.
 2 HRS MARK AND CAV NO. ARE LOCATED IN APPROXIMAL AREA.
 3 GATE IS LOCATED IN APPROXIMAL AREA.

2	COPPER ALLOY	CONTACT AREA:GOLD 0.05 μm MIN SMT LEAD:GOLD 0.05 μm MIN UNDERPLATING:NICKEL 1 μm MIN	6	PS	CLEAR, REINFORCEMENT COLLAR		
			5	PS	BLACK		
			4	POLYESTER	CLEAR, COVER TAPE		
1	LCP	BLACK, UL94V-0	3	PS	CLEAR, EMBOSSED CARRIER TAPE		
NO.	MATERIAL	FINISH, REMARKS	NO.	MATERIAL	FINISH, REMARKS		
UNITS mm		SCALE 10:1	COUNT 2	DESCRIPTION OF REVISIONS DIS-H-00021158	DESIGNED YK. SATAKE	CHECKED TY. 001	DATE 20240727
HRS HIROSE ELECTRIC CO., LTD.		APPROVED : WR. FUKUCHI 20200330	DRAWING NO. EDC-385555-51-00				
		CHECED : TS. MIYAZAKI 20200330	PART NO. DF40TC(3.5)-20DS-0.4V(51)				
		DESIGNED : YK. SATAKE 20200327	CODE NO. CL0684-4253-0-51				
		DRAWN : YK. SATAKE 20200327	1/2				

Jul.1.2024 Copyright 2024 HIROSE ELECTRIC CO., LTD. All Rights Reserved.
 In case of consideration for using Automotive equipment / device which demand high reliability, kindly contact our sales window correspondents.

EMBOSSED CARRIER TAPE PACKAGING (FREE)

STYLE AND DIMENSION OF REEL (FREE)



HRS DRAWING FOR REFERENCE

- NOTES
4. PER REEL 2000 CONNECTORS.
 5. THE DIMENSIONS IN PARENTHESES ARE FOR REFERENCE.
 6. REFER TO JIS C 0806(IEC 60286-3)(PACKING OF COMPONENTS FOR AUTOMATIC HANDLING)
 7. AFTER PACKAGING, ROLL 2 METERS OF THE REINFORCEMENT COLLAR TO OUTER CIRCUMFERENCE OF TAPE AND REEL POCKET, AND TAPE DOWN AT THE END THE COLLAR.
 8. ONE OF SEVERAL IS DIFFERENT IN FROM OF THE EMBOSSED CARRIER TAPE TO AVOID BEING STUCK IN.

HRS	DRAWING NO.	EDC-385555-51-00
	PART NO.	DF40TC(3.5)-20DS-0.4V(51)
	CODE NO.	CL0684-4253-0-51
		$\triangle 1/2$