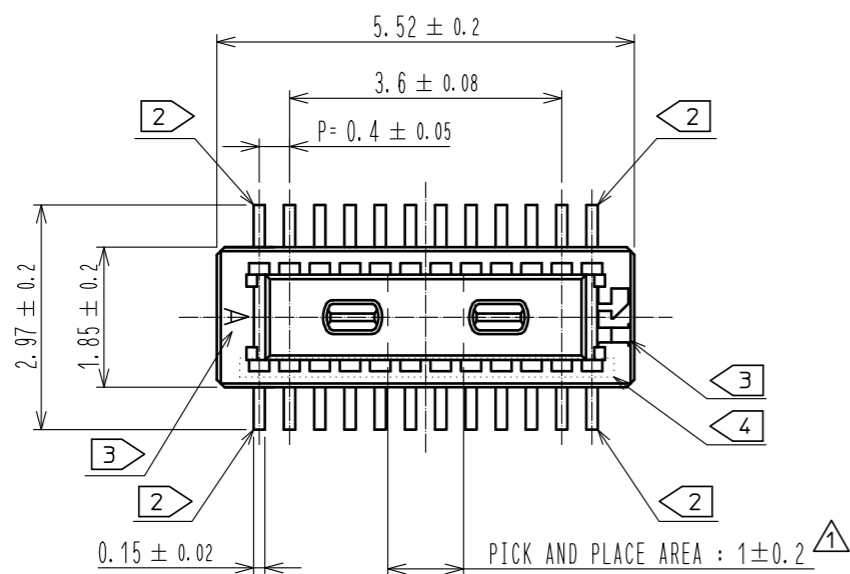
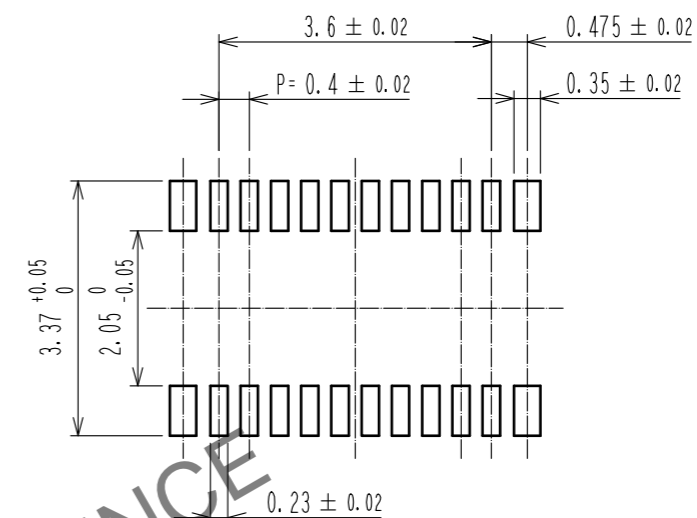


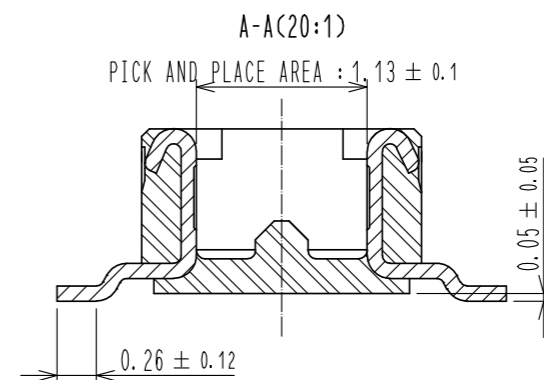
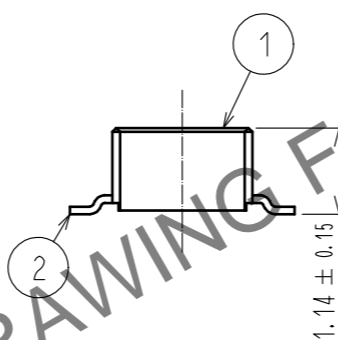
Jul.1.2024 Copyright 2024 HIROSE ELECTRIC CO., LTD. All Rights Reserved.  
 In case of consideration for using Automotive equipment / device which demand high reliability, kindly contact our sales window correspondents.



RECOMMENDED PATTERN



RECOMMENDED METAL MASK THICKNESS: 120 μm  
 RECOMMENDED METAL MASK OPENING RATIO: 80% FOR LEAD PAD



- NOTES)
1. ALL LEADS CO-PLANARITY SHALL BE 0.1mm MAX.
  2. EACH ONE CONTACT AT 4 CORNERS SHALL BE USED AS METAL HOLD DOWN.
  3. HRS MARK AND CAV NO. ARE LOCATED IN APPROXIMAL AREA.
  4. THERE IS A POSSIBILITY THAT THE RESIN WILL BE EXPOSED AT THIS AREA. BUT THIS WILL NOT AFFECT THE CONTACT RELIABILITY.

NO.	MATERIAL	FINISH . REMARKS	NO.	MATERIAL	FINISH . REMARKS
2	COPPER ALLOY	CONTACT AREA:GOLD 0.05 μm MIN	6	PS	CLEAR, REINFORCEMENT COLLAR
		SMT LEAD:GOLD 0.05 μm MIN	5	PS	BLACK
		UNDERPLATING:NICKEL 1 μm MIN	4	POLYESTER	CLEAR, COVER TAPE
1	LCP	BLACK, UL94V-0	3	PS	CLEAR, EMBOSSED CARRIER TAPE

UNITS	SCALE	COUNT	DESCRIPTION OF REVISIONS	DESIGNED	CHECKED	DATE
mm	10:1	1	DIS-H-00011253	YK. SATAKE	TS. MIYAZAKI	20211013

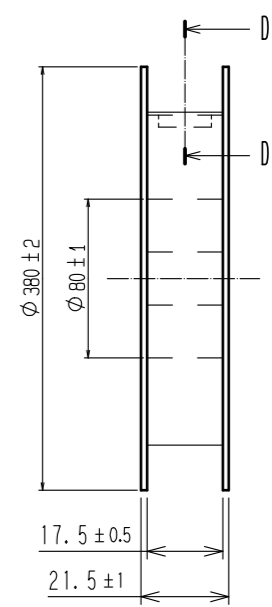
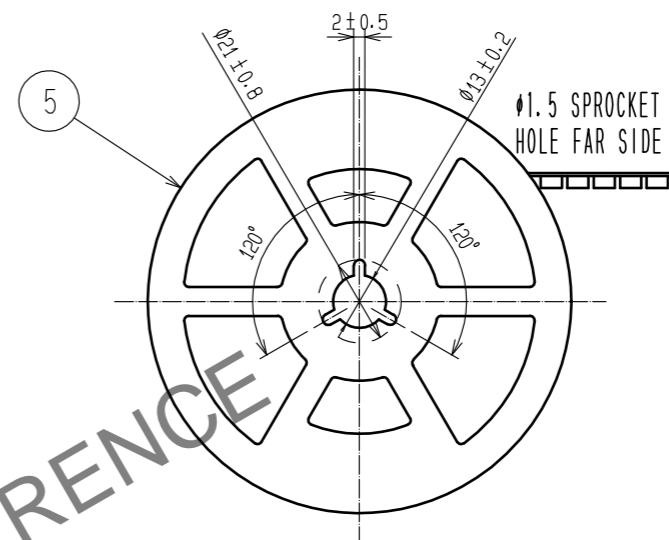
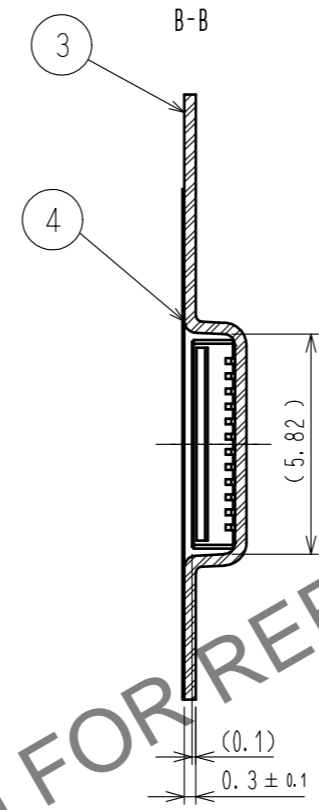
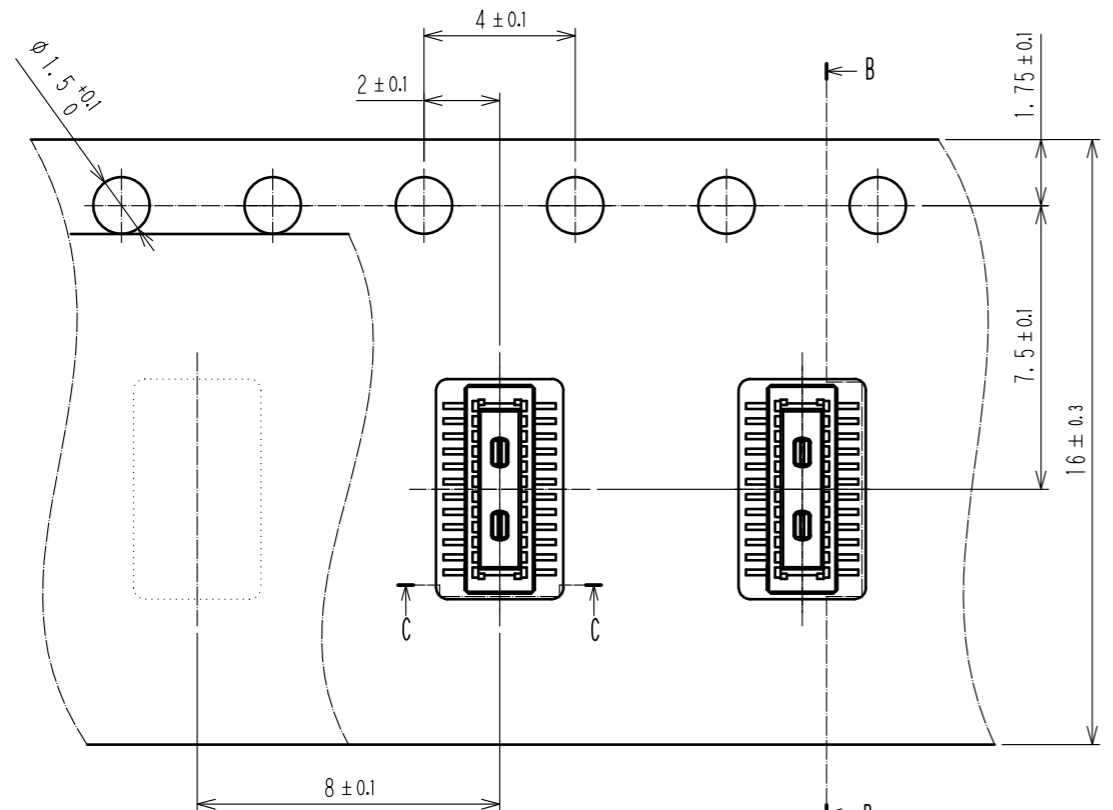
  

APPROVED	CHECKED	DESIGNED	DRAWN	DRAWING NO.	PART NO.	CODE NO.
WR. FUKUCHI	TS. MIYAZAKI	YK. SATAKE	YK. SATAKE	EDC-386693-58-00	DF40TC-20DP-0.4V(58)	CL0684-4262-0-58

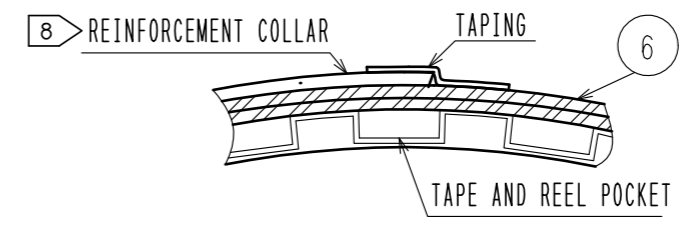
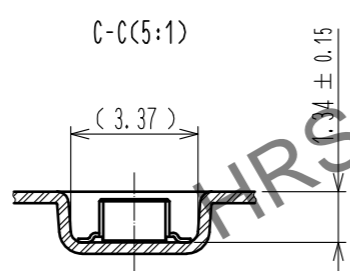
Jul.1.2024 Copyright 2024 HIROSE ELECTRIC CO., LTD. All Rights Reserved.  
 In case of consideration for using Automotive equipment / device which demand high reliability, kindly contact our sales window correspondents.

EMBOSSED CARRIER TAPE PACKAGING(5:1)

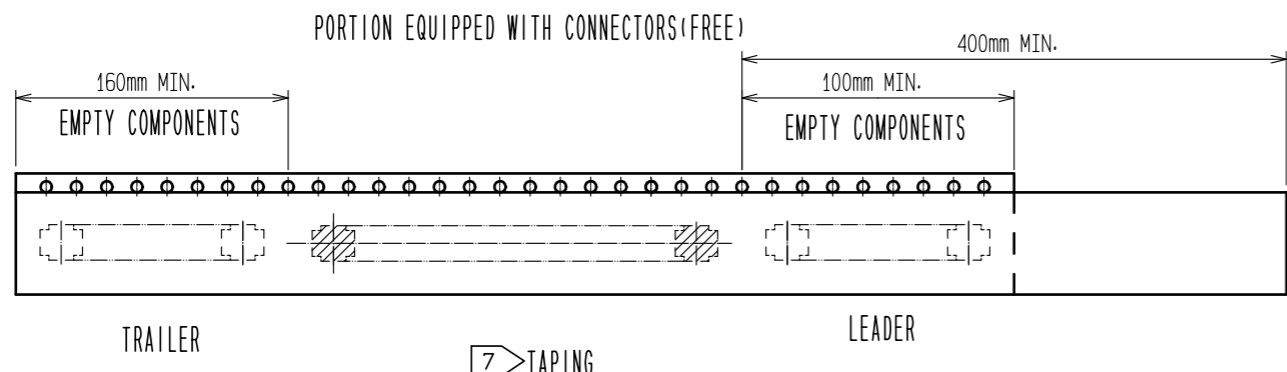
STYLE AND DIMENSIONS OF REEL(FREE)



DIRECTION OF UNREELING →



- NOTES
- 5. PER REEL 1000 CONNECTORS.
  - 6. THE DIMENSIONS IN PARENTHESSES ARE FOR REFERENCE.
  - 7. REFER TO JIS C 0806 (IEC 60286-3)  
(PACKING OF COMPONENTS FOR AUTOMATIC HANDLING)
  - 8. AFTER PACKAGING. ROLL 2 METER OF THE REINFORCEMENT COLLAR TO OUTER CIRCUMFERENCE OF TAPE AND REEL POCKET. AND TAPE DOWN AT THE END THE COLLAR.



<b>HRS</b>	DRAWING NO.	EDC-386693-58-00
	PART NO.	DF40TC-20DP-0.4V(58)
	CODE NO.	CL0684-4262-0-58
		2/2