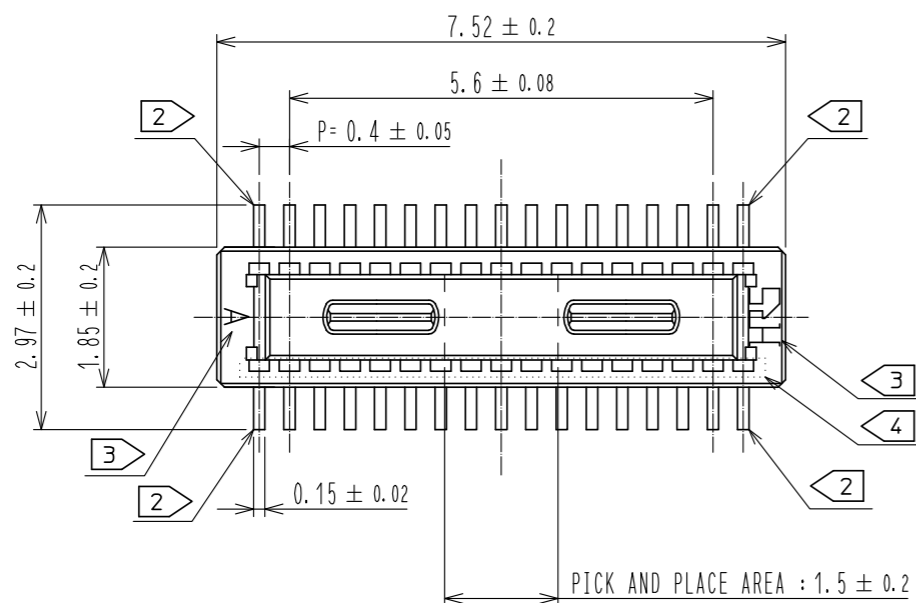
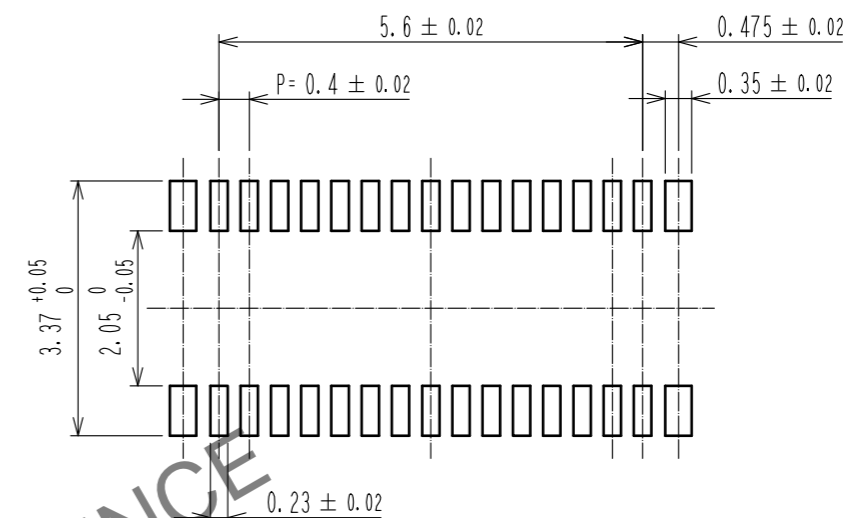


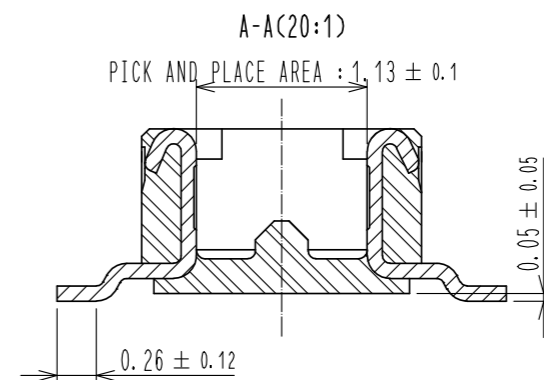
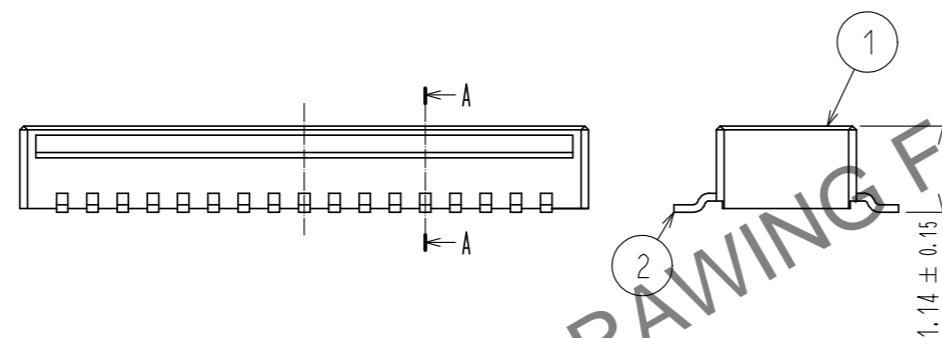
Jul.1.2024 Copyright 2024 HIROSE ELECTRIC CO., LTD. All Rights Reserved.  
 In case of consideration for using Automotive equipment / device which demand high reliability, kindly contact our sales window correspondents.



RECOMMENDED PATTERN



RECOMMENDED METAL MASK THICKNESS: 120 μm  
 RECOMMENDED METAL MASK OPENING RATIO: 80% FOR LEAD PAD

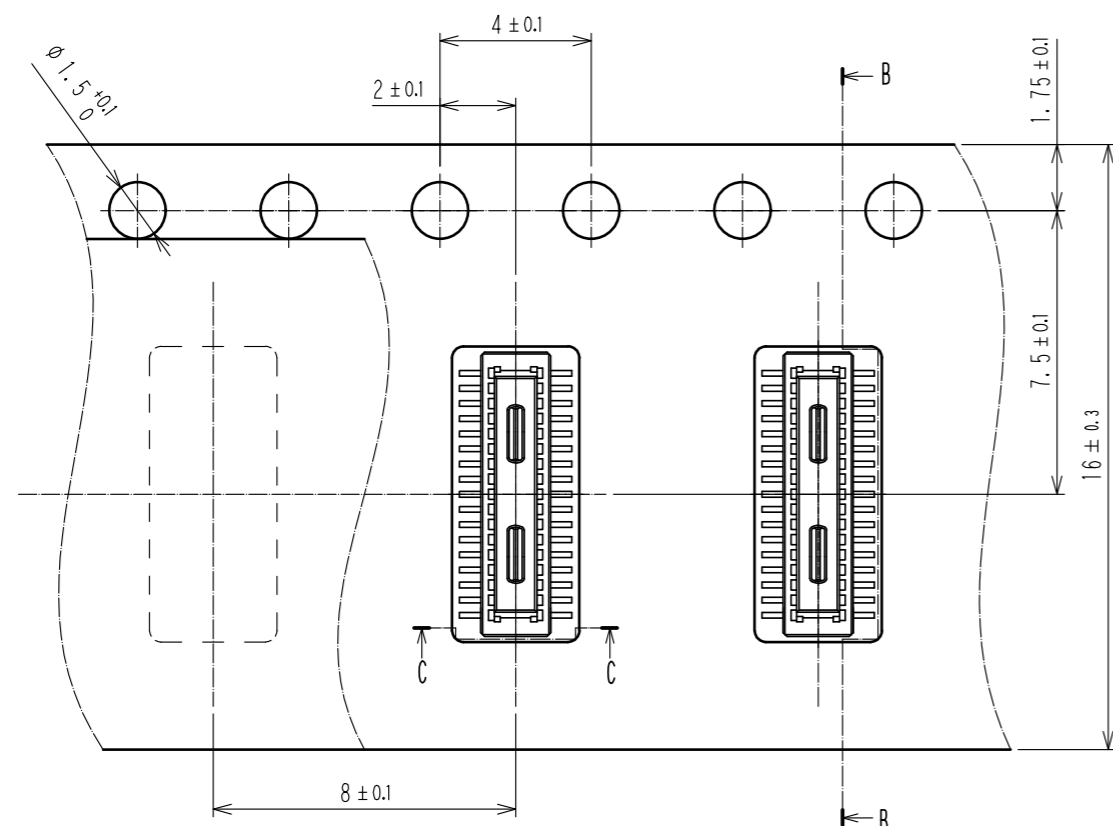


- NOTES) 1. ALL LEADS CO-PLANARITY SHALL BE 0.1mm MAX.  
 2. EACH ONE CONTACT AT 4 CORNERS SHALL BE USED AS METAL HOLD DOWN.  
 3. HRS MARK AND CAV NO. ARE LOCATED IN APPROXIMAL AREA.  
 4. THERE IS A POSSIBILITY THAT THE RESIN WILL BE EXPOSED AT THIS AREA. BUT THIS WILL NOT AFFECT THE CONTACT RELIABILITY.

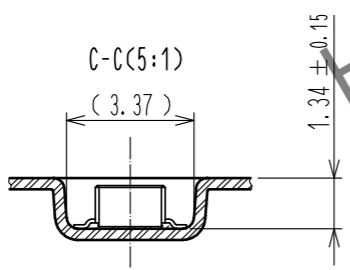
2	COPPER ALLOY	CONTACT AREA: GOLD 0.05 μm MIN SMT LEAD: GOLD 0.05 μm MIN UNDERPLATING: NICKEL 1 μm MIN	6	PS	CLEAR, REINFORCEMENT COLLAR		
			5	PS	BLACK		
			4	POLYESTER	CLEAR, COVER TAPE		
1	LCP	BLACK, UL94V-0	3	PS	CLEAR, EMBOSSED CARRIER TAPE		
NO.	MATERIAL	FINISH . REMARKS	NO.	MATERIAL	FINISH . REMARKS		
UNITS mm		SCALE 10:1	COUNT	DESCRIPTION OF REVISIONS	DESIGNED	CHECKED	DATE
APPROVED : WR. FUKUCHI 20210303			DRAWING NO. EDC-386694-58-00				
CHECED : TS. MIYAZAKI 20210303			PART NO. DF40TC-30DP-0.4V(58)				
DESIGNED : YK. SATAKE 20210303			CODE NO. CL0684-4263-0-58				
DRAWN : YK. SATAKE 20210303							

Jul.1.2024 Copyright 2024 HIROSE ELECTRIC CO., LTD. All Rights Reserved.  
 In case of consideration for using Automotive equipment / device which demand high reliability, kindly contact our sales window correspondents.

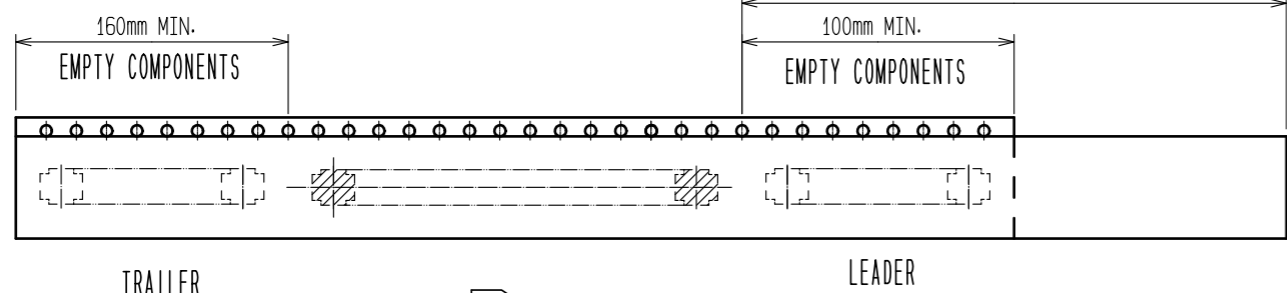
EMBOSSED CARRIER TAPE PACKAGING(5:1)



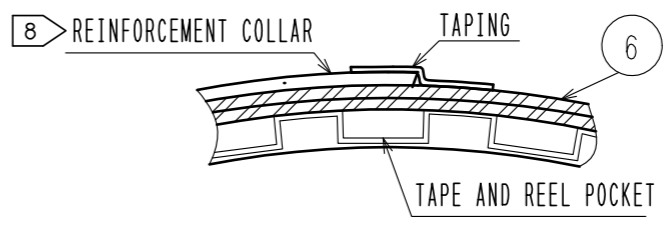
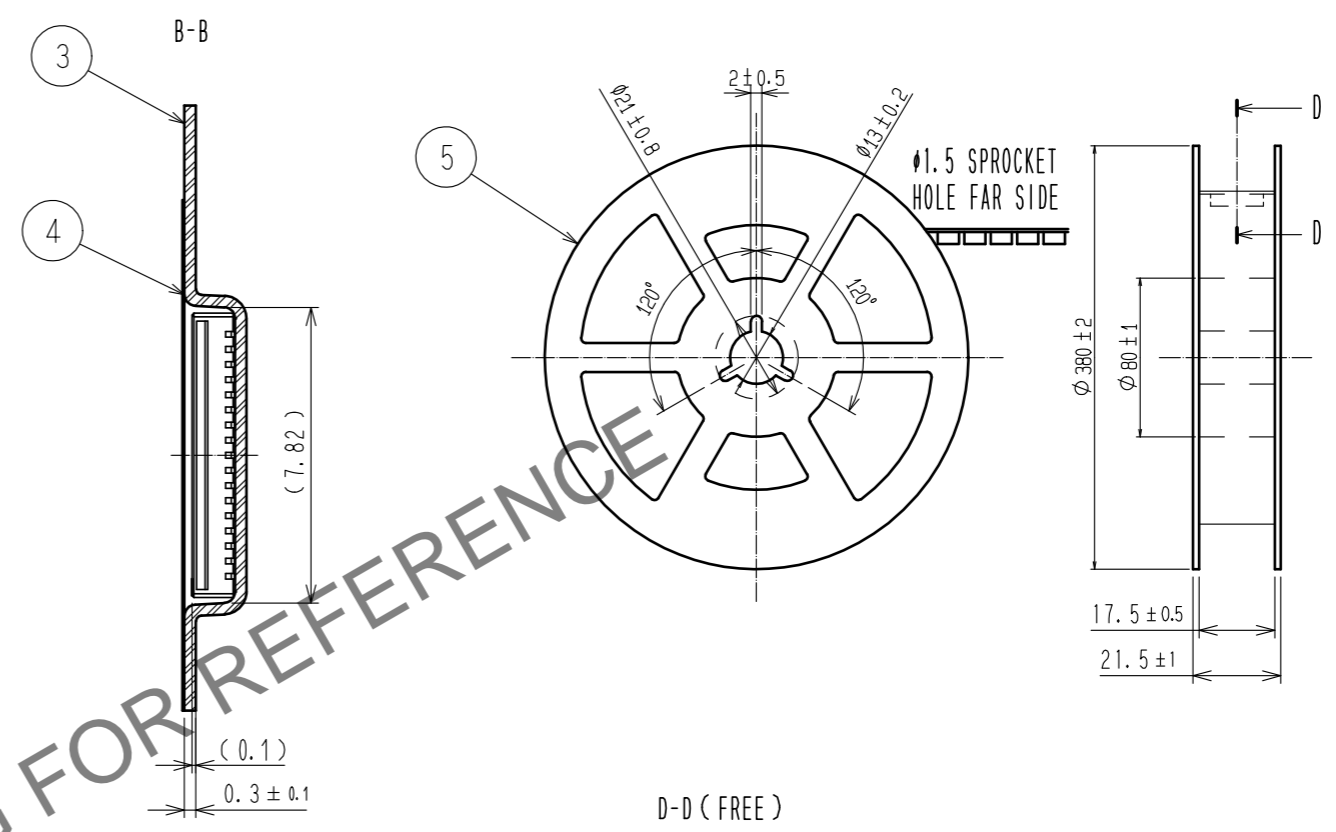
DIRECTION OF UNREELING  $\rightarrow$



PORTION EQUIPPED WITH CONNECTORS(FREE)



STYLE AND DIMENSIONS OF REEL(FREE)



- NOTES
5. PER REEL 1000 CONNECTORS.
  6. THE DIMENSIONS IN PARENTHESSES ARE FOR REFERENCE.
  7. REFER TO JIS C 0806 (PACKING OF COMPONENTS FOR AUTOMATIC HANDLING)
  8. AFTER PACKAGING. ROLL 2 METER OF THE REINFORCEMENT COLLAR TO OUTER CIRCUMFERENCE OF TAPE AND REEL POCKET. AND TAPE DOWN AT THE END THE COLLAR.

<b>HRS</b>	DRAWING NO.	EDC-386694-58-00	
	PART NO.	DF40TC-30DP-0.4V(58)	
	CODE NO.	CL0684-4263-0-58	2/2