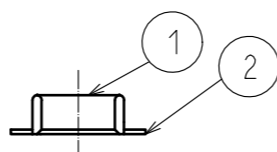
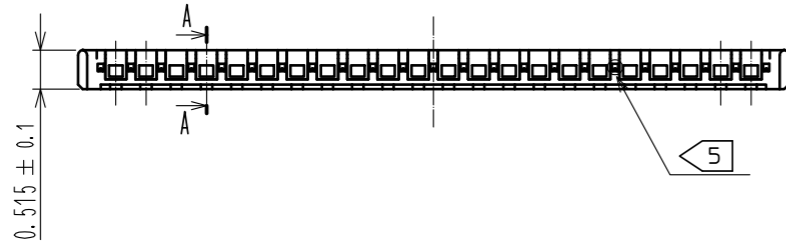
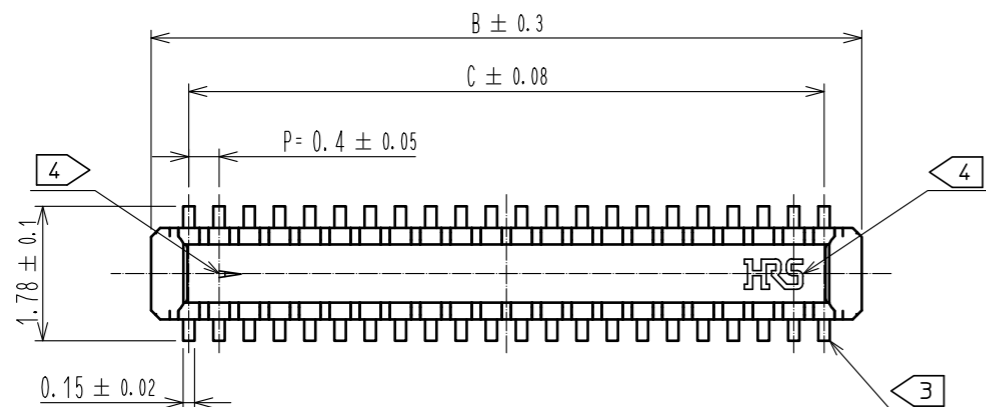
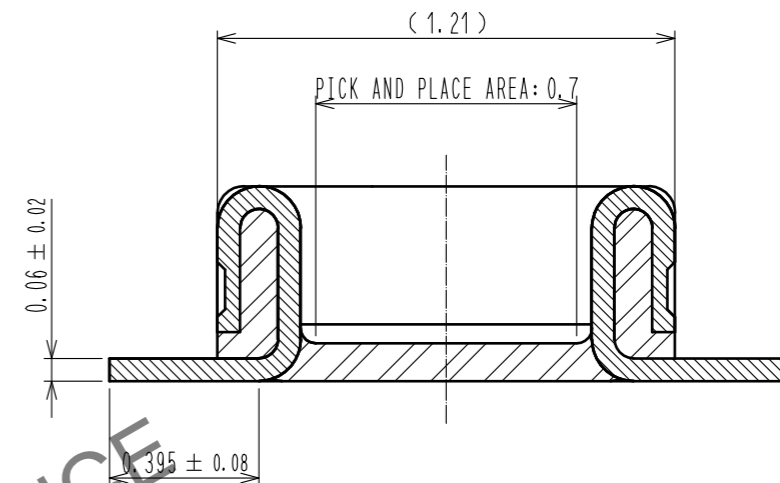


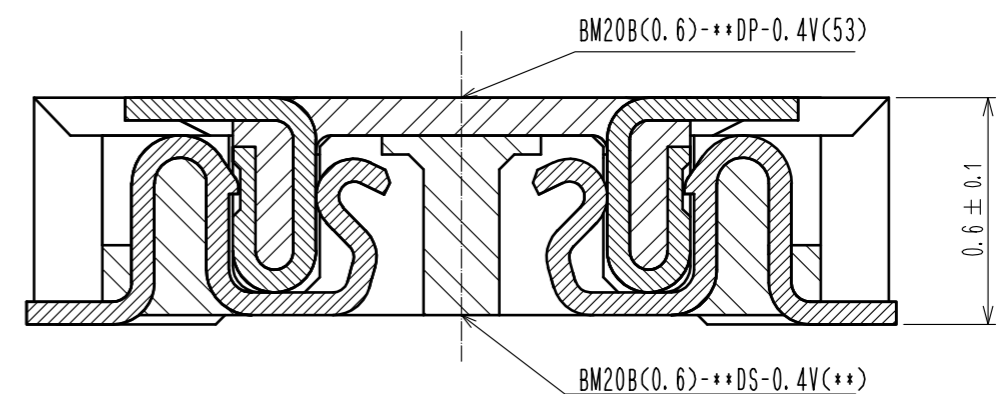
Dec.1.2024 Copyright 2024 HIROSE ELECTRIC CO., LTD. All Rights Reserved.
In case of consideration for using Automotive equipment / device which demand high reliability, kindly contact our sales window correspondents.



A-A (50:1)



ENGAGEMENT FIGURE (50:1)



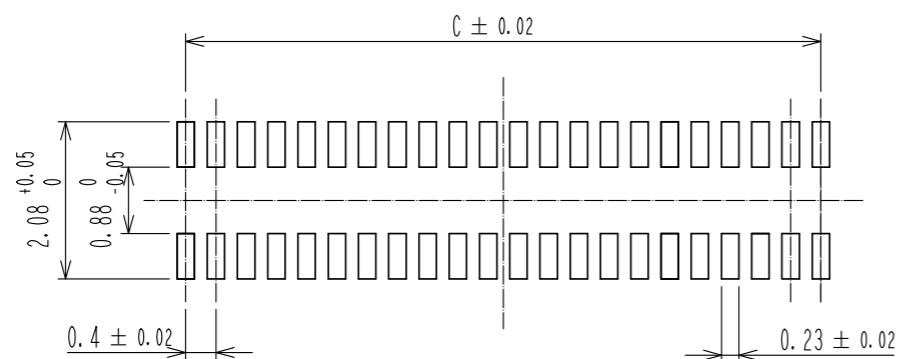
| PART No. | CODE No. | B | C |
|--------------------------|------------------|------|------|
| BM20B(0.6)-10DP-0.4V(53) | CL0684-9300-6-53 | 3.4 | 2.4 |
| BM20B(0.6)-20DP-0.4V(53) | CL0684-9301-9-53 | 5.4 | 4.4 |
| BM20B(0.6)-24DP-0.4V(53) | CL0684-9302-1-53 | 6.2 | 5.2 |
| BM20B(0.6)-30DP-0.4V(53) | CL0684-9303-4-53 | 7.4 | 6.4 |
| BM20B(0.6)-34DP-0.4V(53) | CL0684-9304-7-53 | 8.2 | 7.2 |
| BM20B(0.6)-40DP-0.4V(53) | CL0684-9305-0-53 | 9.4 | 8.4 |
| BM20B(0.6)-50DP-0.4V(53) | CL0684-9306-2-53 | 11.4 | 10.4 |

- NOTE 1 . ALL LEAD CO-PLANARITY SHALL BE 0.08mm MAX
- ② CONTACT PLATING SPECIFICATIONS
CONTACT AREA : GOLD 0.05 μm MIN
SMT LEAD : GOLD 0.05 μm MIN
UNDER PLATING : NICKEL 1 μm MIN
(SURFACE : SEALING)
 - ③ EACH CONTACTS AT 4 CORNERS ARE PROVIDED FOR METAL FITTINGS.
 - ④ HRS MARK AND CAV No. ARE INDICATED IN APPROX. POSITION SHOWN.
 - ⑤ A PART OF THE WALL COULD BE NOTCHED.

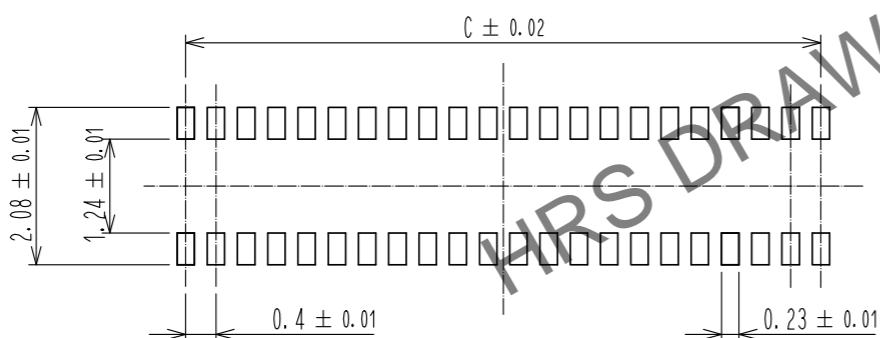
| 3 | PS | CLEAR (EMBOSSED CARRIER TAPE) | 6 | PS | CLEAR (REINFORCEMENT COLLAR) | | | |
|-------|-----------------|--|--------|--|------------------------------|----------|---------|------|
| 2 | PHOSPHOR BRONZE | ② | 5 | PS | BLACK (PLASTIC REEL) | | | |
| 1 | LCP | UL94 V-0, BLACK | 4 | POLYESTER | CLEAR (COVER TAPE) | | | |
| NO. | MATERIAL | FINISH . REMARKS | NO. | MATERIAL | FINISH . REMARKS | | | |
| UNITS | mm | SCALE | 10 : 1 | COUNT | DESCRIPTION OF REVISIONS | DESIGNED | CHECKED | DATE |
| | | APPROVED : MO. ISHIDA 15.04.21 CHECKED : TS. MIYAZAKI 15.04.21 DESIGNED : RT. SHIMIZU 15.04.21 DRAWN : KR. AJITO 15.04.10 | | DRAWING NO. EDC-351137-53-01 PART NO. BM20B(0.6)-*DP-0.4V(53) CODE NO. CL684 | | ①/③ | | |

Dec.1.2024 Copyright 2024 HIROSE ELECTRIC CO., LTD. All Rights Reserved.
In case of consideration for using Automotive equipment / device which demand high reliability, kindly contact our sales window correspondents.

7 RECOMMENDED PCB LAYOUT

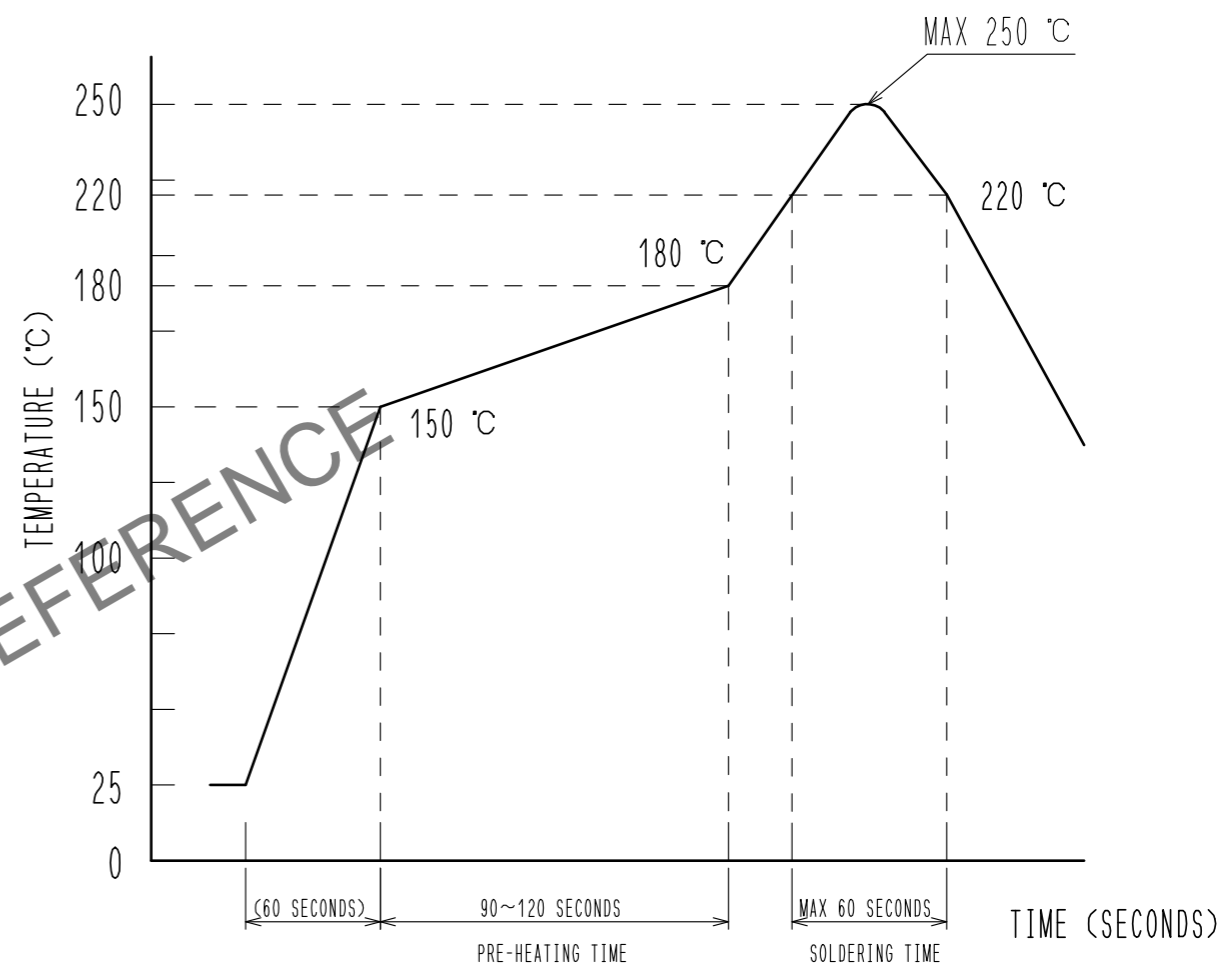


RECOMMENDED METAL MASK DIMENSIONS
METAL MASK THICKNESS : 100 μm



| PART No. | C |
|--------------------------|------|
| BM20B(0.6)-10DP-0.4V(53) | 2.4 |
| BM20B(0.6)-20DP-0.4V(53) | 4.4 |
| BM20B(0.6)-24DP-0.4V(53) | 5.2 |
| BM20B(0.6)-30DP-0.4V(53) | 6.4 |
| BM20B(0.6)-34DP-0.4V(53) | 7.2 |
| BM20B(0.6)-40DP-0.4V(53) | 8.4 |
| BM20B(0.6)-50DP-0.4V(53) | 10.4 |

6 RECOMMENDED REFLOW TEMPERATURE PROFILE USING LEAD-FREE SOLDER PASTE.



REFLOW METHOD:IR REFLOW
NUMBER OF REFLOW CYCLES:2 CYCLES MAX.
1)REFLOW TIME
DURATION ABOVE 220°C, 60 SEC MAX.
(PEAK TEMPERATURE:250°C MAX)
2)PRE-HEAT TIME
PRE-HEAT TEMPERATURE(MIN):150°C
PRE-HEAT TEMPERATURE(MAX):180°C
PRE-HEAT TIME:90-120 SEC.

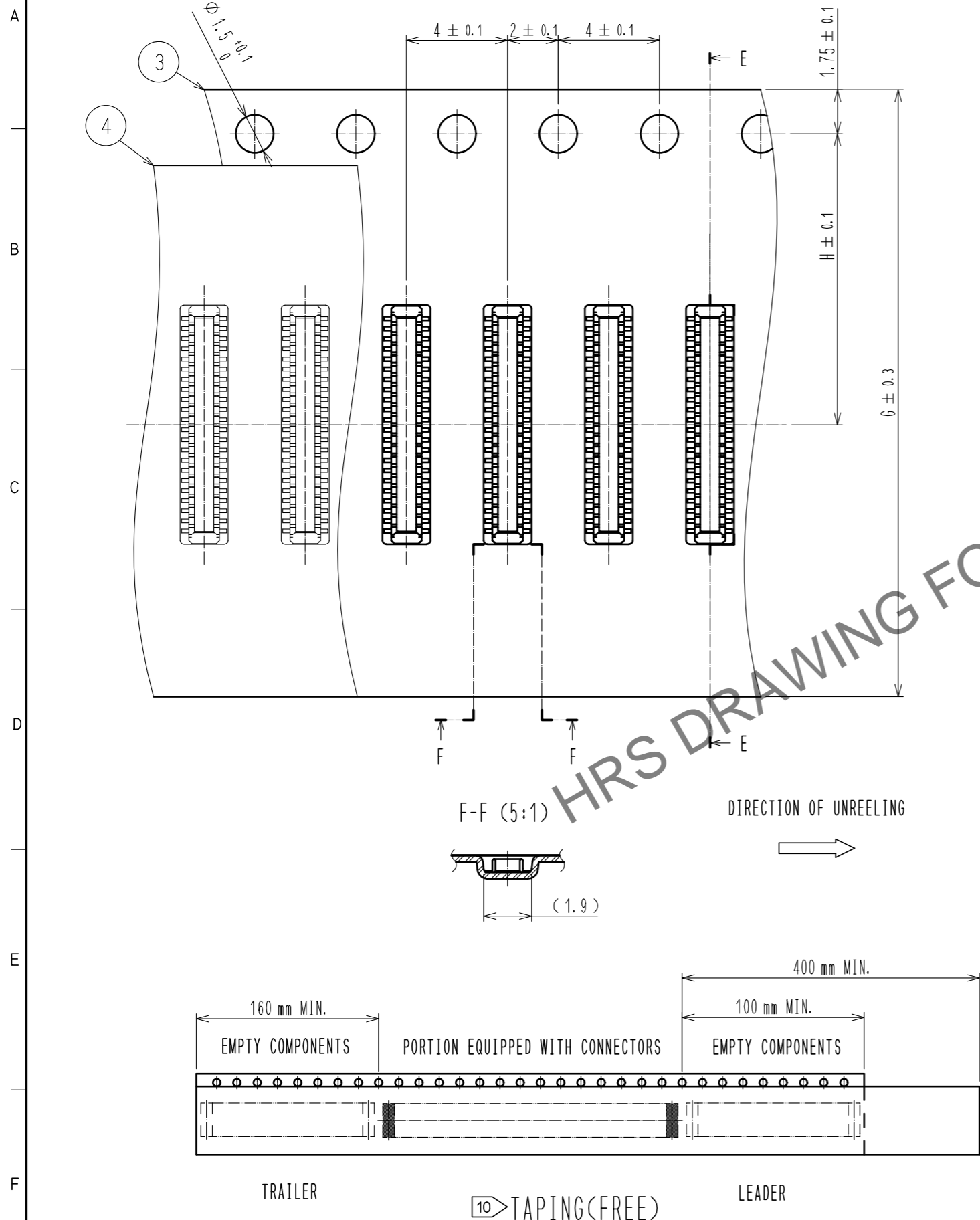
- 6 THIS TEMPERATURE PROFILE IS PER THE CONDITIONS SHOWN ABOVE. ADDITIONAL FACTORS, SUCH AS SOLDER PASTE TYPE, PCB SIZE AND OTHER MOUNTED COMPONENTS COULD AFFECT THE PROFILE, THEREFORE, A THOROUGH EVALUATION OF MOUNTING COONDITION IS REQUIRED PRIOR TO PRODUCTION. TEPERATURE IS MEASURED AT CONTACT LEAD.
- 7 PLEASE CONTACT US IN CASE YOU WILL MAKE DIFFERENT SETTINGS FROM OUR RECOMMENDATION.

| | | |
|------------|-------------|-------------------------|
| HRS | DRAWING NO. | EDC-351137-53-01 |
| | PART NO. | BM20B(0.6)-*DP-0.4V(53) |
| | CODE NO. | CL684 |

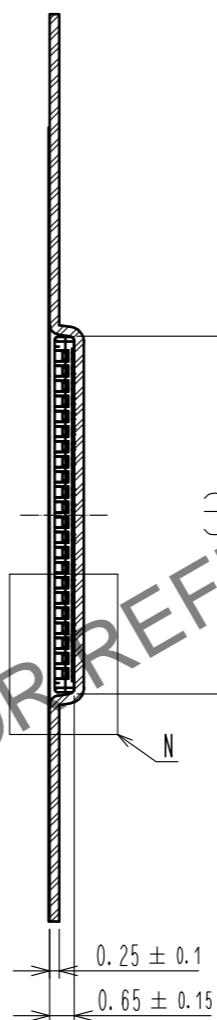
Dec.1.2024 Copyright 2024 HIROSE ELECTRIC CO., LTD. All Rights Reserved.
In case of consideration for using Automotive equipment / device which demand high reliability, kindly contact our sales window correspondents.

EMBOSSED CARRIER TAPE PACKAGING (5:1)

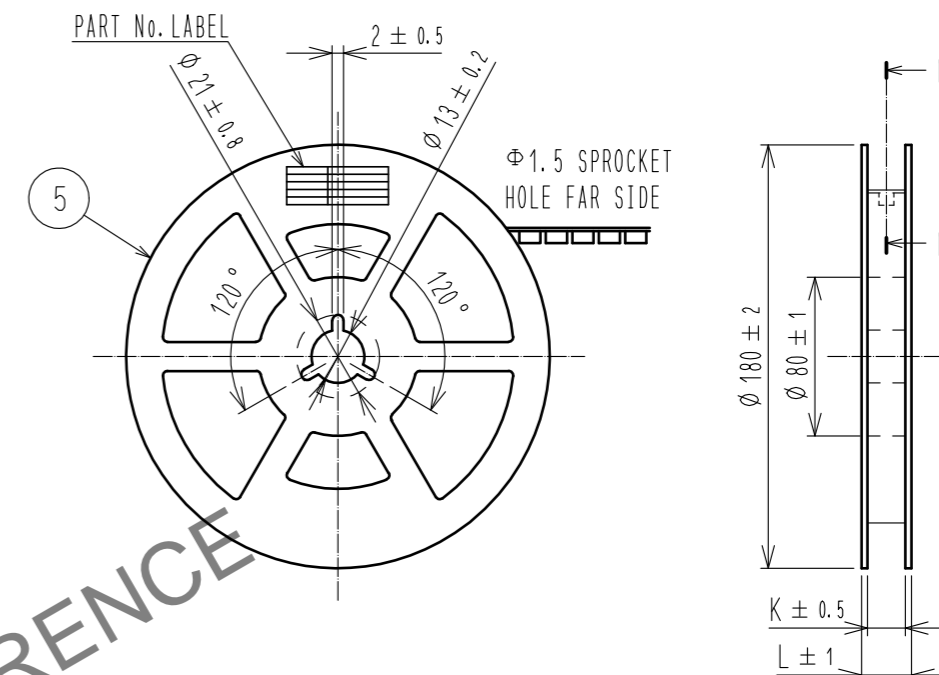
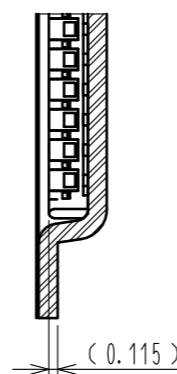
STYLE AND DIMENTION OF REEL (FREE)



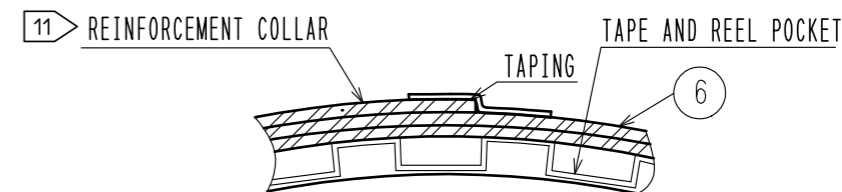
E-E (5:1)



N (10:1)



M-M (FREE)



DETAIL OF PART No. LABEL

| | | |
|-------|-------------------------|----------------------|
| 製造年月日 | ** ** * | DATE OF MANUFACTURED |
| 製品コード | CL0684-****-(53) | CODE No. |
| 製品名 | BM20B(0.6)-*DP-0.4V(53) | PART No. |
| 数量 | 1,000 | QUANTITY |
| 納入者 | ヒロセ電機(株) | SUPPLIER |

| PART No. | G | H | J | K | L |
|--------------------------|----|------|-------|------|------|
| BM20B(0.6)-10DP-0.4V(53) | 12 | 5.5 | 3.46 | 13.5 | 17.5 |
| BM20B(0.6)-20DP-0.4V(53) | 16 | 7.5 | 5.46 | 17.5 | 21.5 |
| BM20B(0.6)-24DP-0.4V(53) | 16 | 7.5 | 6.26 | 17.5 | 21.5 |
| BM20B(0.6)-30DP-0.4V(53) | 16 | 7.5 | 7.46 | 17.5 | 21.5 |
| BM20B(0.6)-34DP-0.4V(53) | 24 | 11.5 | 8.26 | 25.5 | 29.5 |
| BM20B(0.6)-40DP-0.4V(53) | 24 | 11.5 | 9.46 | 25.5 | 29.5 |
| BM20B(0.6)-50DP-0.4V(53) | 24 | 11.5 | 11.46 | 25.5 | 29.5 |

- 8 . PER REEL 1,000 CONNECTORS.
- 9 . THE DIMENTION IN PARENTHESSES ARE FOR REFFERENCE.
- 10 . REFER TO JIS C 0806, IEC-30286-3(PACKAGING OF COMPONENTS FOR AUTOMATIC HANDLING)
- 11 . AFTER PACKAGING, ROLL 2 METERS OF THE REINFORCEMENT COLLAR TO OUTER CIRCUMFERENCE OF TAPE AND REEL POCKET, AND TAPE DOWN AT THE END THE COLLAR.

| | | |
|------------|-------------|-------------------------|
| HRS | DRAWING NO. | EDC-351137-53-01 |
| | PART NO. | BM20B(0.6)-*DP-0.4V(53) |
| | CODE NO. | CL684 |