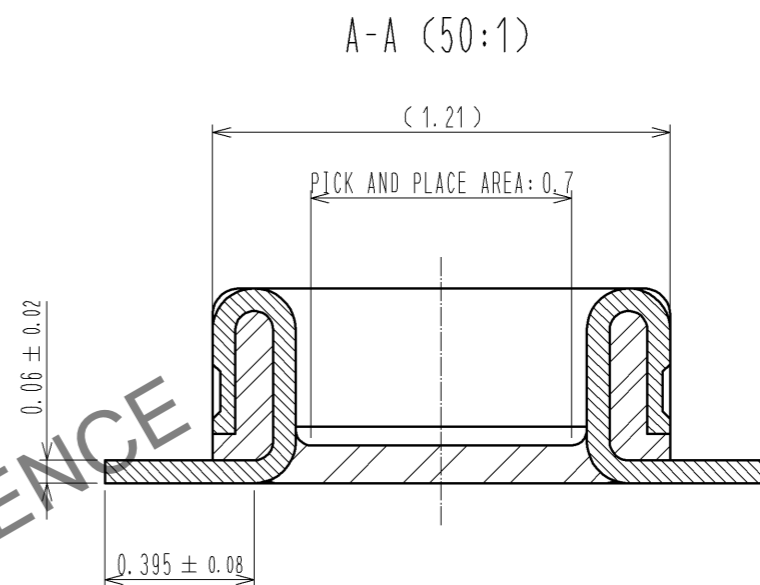
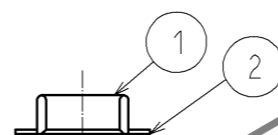
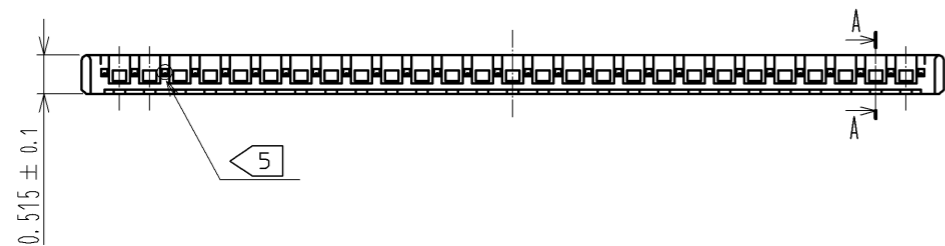
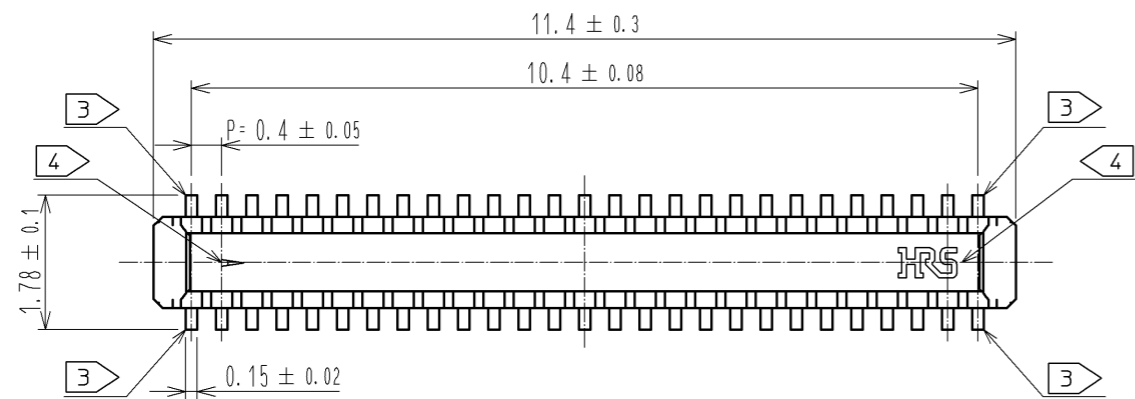
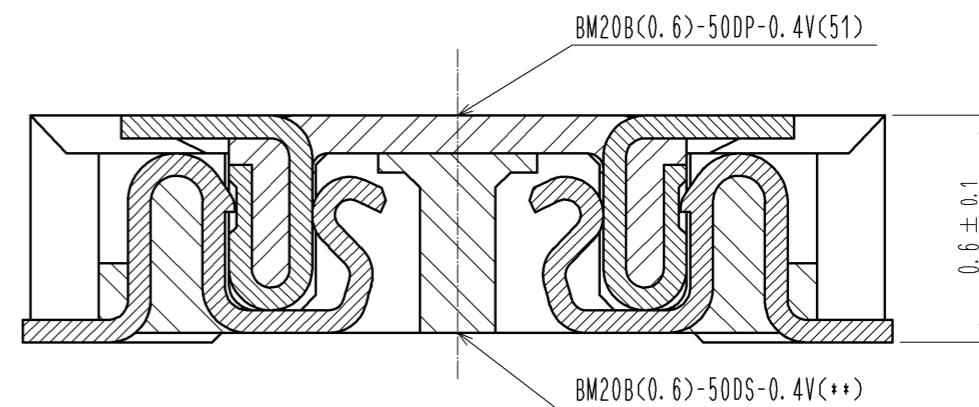


Dec.1.2024 Copyright 2024 HIROSE ELECTRIC CO., LTD. All Rights Reserved.  
 In case of consideration for using Automotive equipment / device which demand high reliability, kindly contact our sales window correspondents.



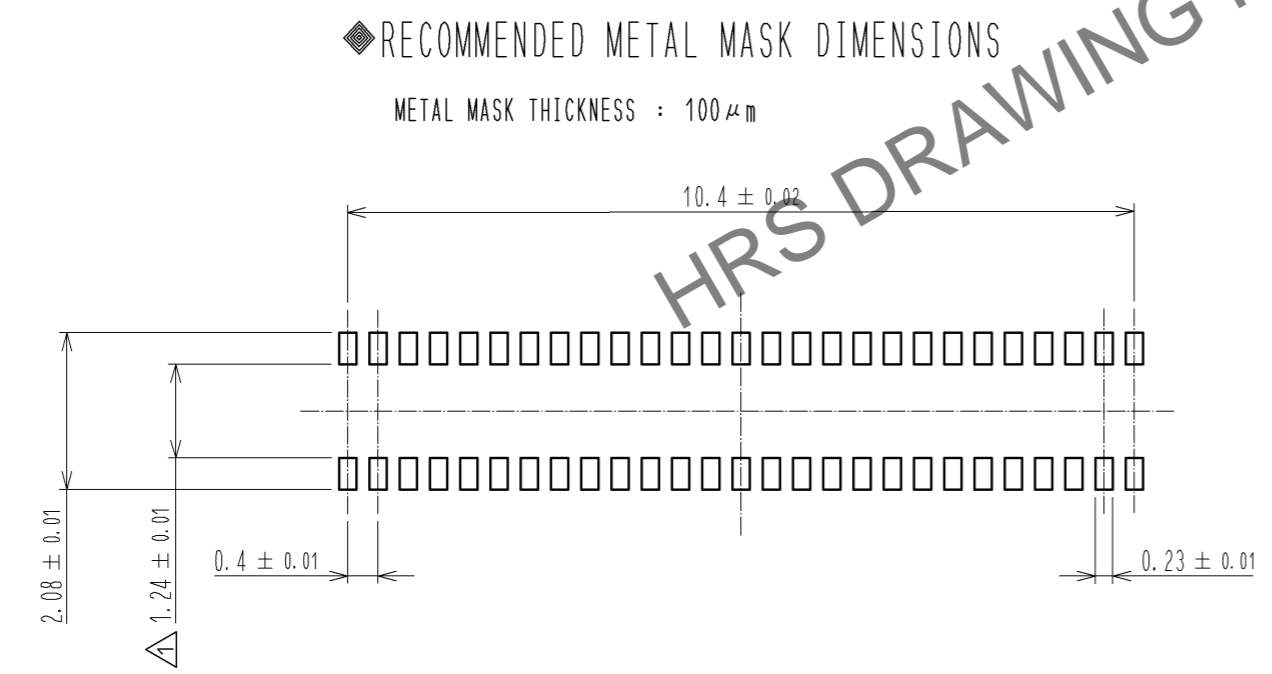
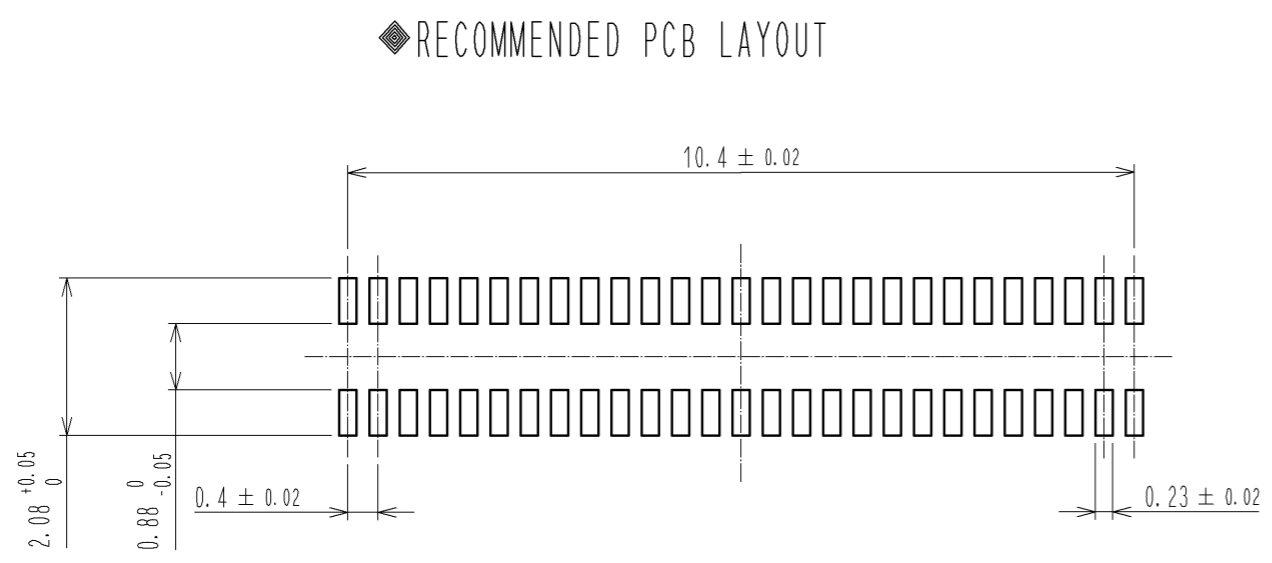
ENGAGEMENT FIGURE (50:1)



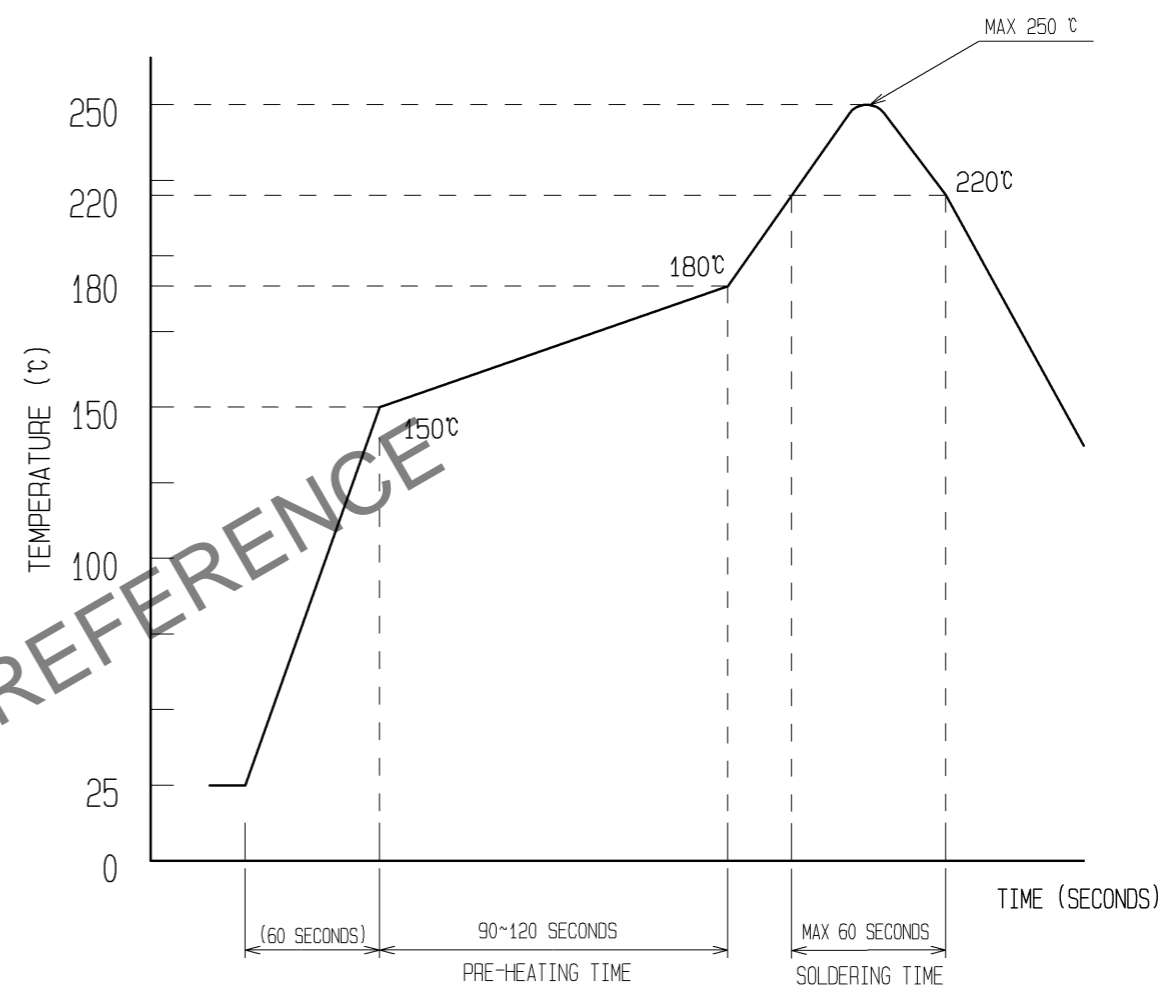
- NOTE 1 . ALL LEAD CO-PLANARITY SHALL BE 0.08mm MAX
- 2 . CONTACT PLATING SPECIFICATIONS  
 CONTACT AREA : GOLD 0.05 $\mu$ m MIN  
 SMT LEAD : GOLD 0.05 $\mu$ m MIN  
 UNDER PLATING : NICKEL 1 $\mu$ m MIN  
 ( SURFACE : SEALING )
- 3 . EACH CONTACTS AT 4 CORNERS ARE PROVIDED FOR METAL FITTINGS.
- 4 . HRS MARK AND CAV No. ARE INDICATED IN APPROX POSITION SHOWN.
- 5 . A PART OF THE WALL COULD BE NOTCHED.

3	PS	CLEAR (EMBOSSED CARRIER TAPE)	6	PS	CLEAR (REINFORCEMENT COLLAR)		
2	PHOSPHOR BRONZE	2	5	PS	BLACK (PLASTIC REEL)		
1	LCP	UL94 V-0, BLACK	4	POLYESTER	CLEAR (COVER TAPE)		
NO.	MATERIAL	FINISH . REMARKS	NO.	MATERIAL	FINISH . REMARKS		
UNITS mm		SCALE 10 : 1	COUNT 1	DESCRIPTION OF REVISIONS DIS-H-008208	DESIGNED KR. AJITO	CHECKED TS. MIYAZAKI	DATE 13. 10. 09
<b>HRS</b> HIROSE ELECTRIC CO., LTD.		APPROVED : KH. IKEDA 13. 08. 07	DRAWING NO. EDC3-347093-01				
		CHECKED : TS. MIYAZAKI 13. 08. 07	PART NO. BM20B(0.6)-50DP-0.4V(51)				
		DESIGNED : RT. SHIMIZU 13. 08. 07	CODE NO. CL684-9306-2-51				
		DRAWN : KR. AJITO 13. 08. 07					

Dec.1.2024 Copyright 2024 HIROSE ELECTRIC CO., LTD. All Rights Reserved.  
 In case of consideration for using Automotive equipment / device which demand high reliability, kindly contact our sales window correspondents.



6 RECOMMENDED REFLOW TEMPERATURE PROFILE USING LEAD-FREE SOLDER PASTE.



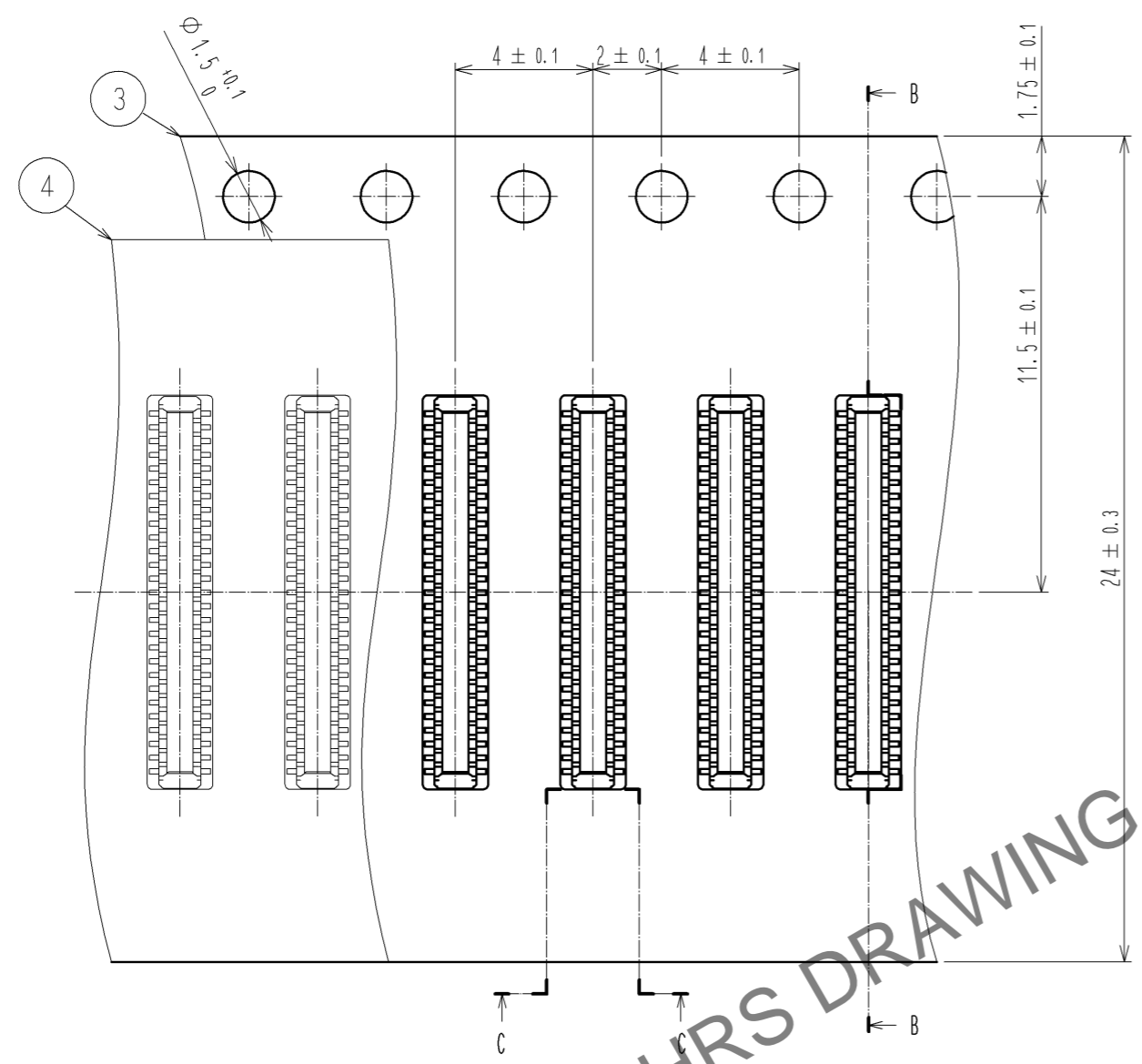
REFLOW METHOD: IR REFLOW  
 NUMBER OF REFLOW CYCLES: 2 CYCLES MAX.  
 1) REFLOW TIME  
 DURATION ABOVE 220°C: 60 SEC MAX.  
 (PEAK TEMPERATURE: 250°C MAX)  
 2) PRE-HEAT TIME  
 PRE-HEAT TEMPERATURE(MIN): 150°C  
 PRE-HEAT TEMPERATURE(MAX): 180°C  
 PRE-HEAT TIME: 90-120 SEC.

6 THIS TEMPERATURE PROFILE IS PER THE CONDITIONS SHOWN ABOVE. ADDITIONAL FACTORS, SUCH AS SOLDER PASTE TYPE, PCB SIZE AND OTHER MOUNTED COMPONENTS COULD AFFECT THE PROFILE. THEREFORE, A THOROUGH EVALUATION OF MOUNTING CONDITION IS REQUIRED PRIOR TO PRODUCTION. TEMPERATURE IS MEASURED AT CONTACT LEAD.

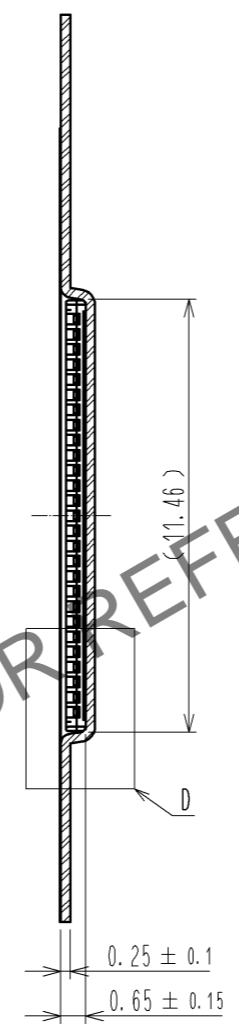
<b>HRS</b>	DRAWING NO.	EDC3-347093-01
	PART NO.	BM20B(0.6)-50DP-0.4V(51)
	CODE NO.	CL684-9306-2-51

Dec.1.2024 Copyright 2024 HIROSE ELECTRIC CO., LTD. All Rights Reserved.  
In case of consideration for using Automotive equipment / device which demand high reliability, kindly contact our sales window correspondents.

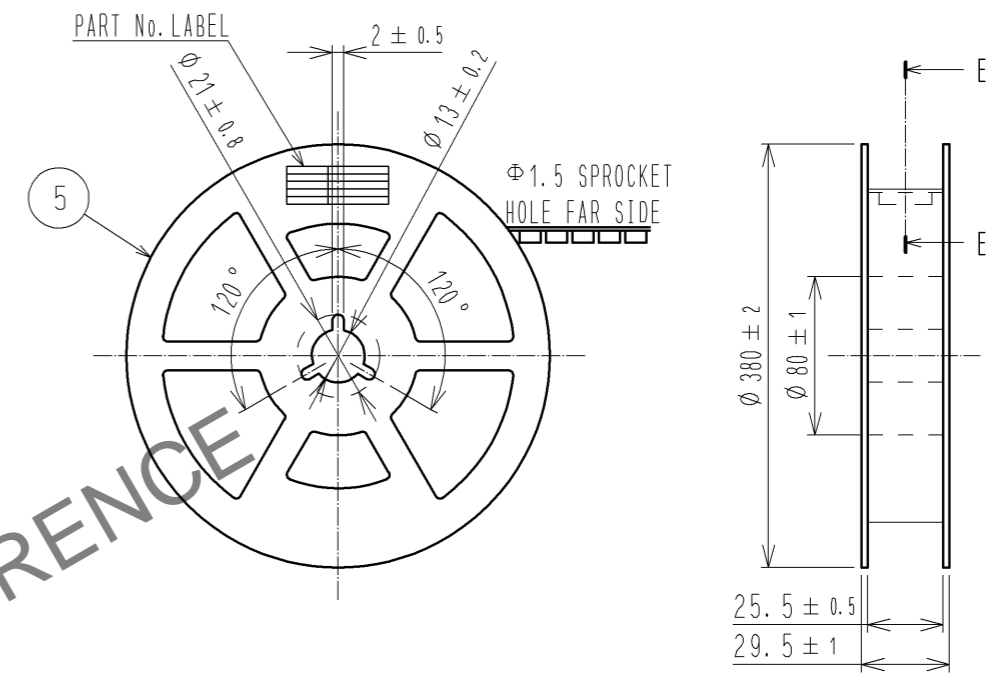
EMBOSSED CARRIER TAPE PACKAGING (5:1)



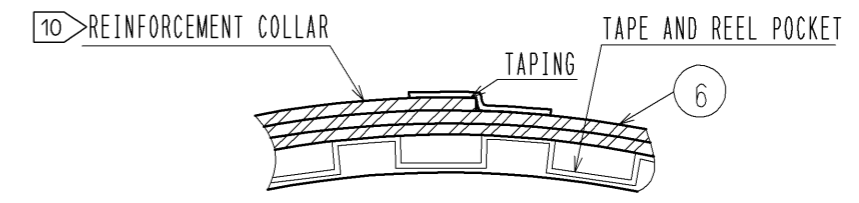
B-B (5:1)



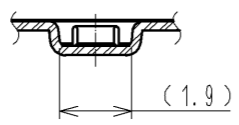
STYLE AND DIMENTION OF REEL (FREE)



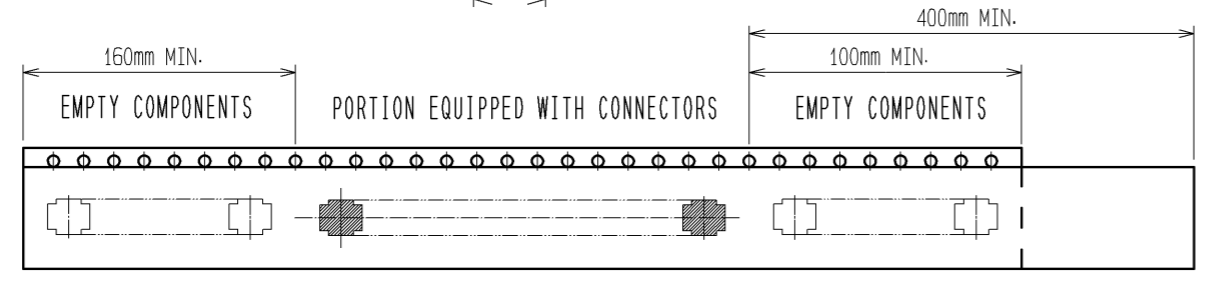
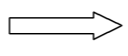
E-E (FREE)



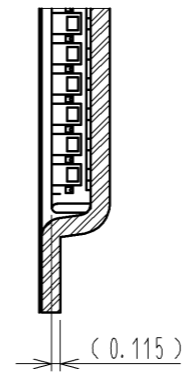
C-C (5:1)



DIRECTION OF UNREELING



D (10:1)



DETAIL OF PART No. LABEL

製造年月日	** ** *	DATE OF MANUFACTURED
製品コード	CL684-9306-2-51	CODE No.
製品名	BM20B(0.6)-50DP-0.4V(51)	PART No.
数量	8,000	QUANTITY
納入者	ヒロセ電機(株)	SUPPLIER

- 7. PER REEL 8000 CONNECTORS.
- 8. THE DIMENTION IN PARENTHESIS ARE FOR REFERENCE.
- 9. REFER TO JIS C 0806 (IEC 60286-3)(PACKAGING OF COMPONENTS FOR AUTOMATIC HANDLING)
- 10. AFTER PACKAGING, ROLL 2 METERS OF THE REINFORCEMENT COLLAR TO OUTER CIRCUMFERENCE OF TAPE AND REEL POCKET. AND TAPE DOWN AT THE END THE COLLAR.

<b>HRS</b>	DRAWING NO.	EDC3-347093-01	
	PART NO.	BM20B(0.6)-50DP-0.4V(51)	
	CODE NO.	CL684-9306-2-51	3/3