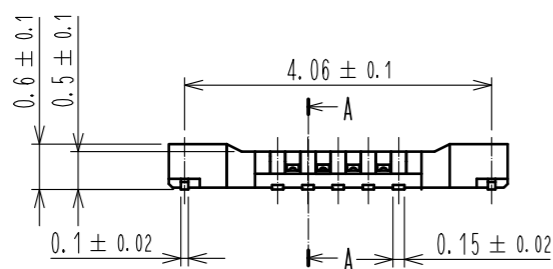
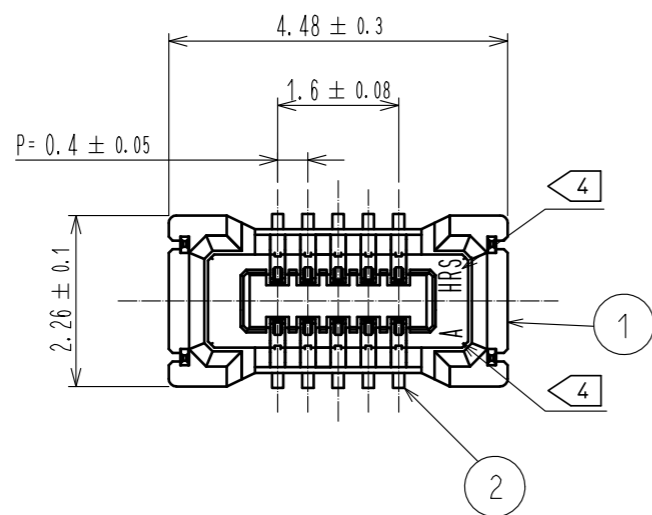
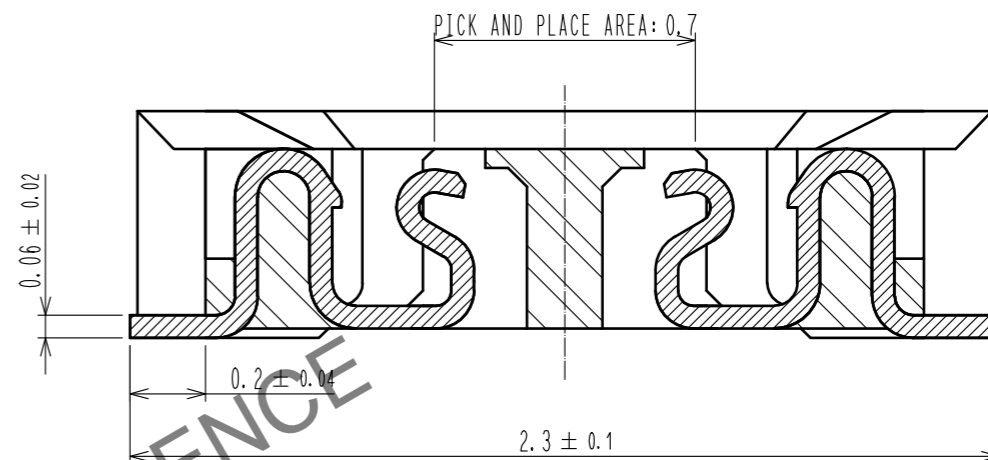


Dec.1.2024 Copyright 2024 HIROSE ELECTRIC CO., LTD. All Rights Reserved.
 In case of consideration for using Automotive equipment / device which demand high reliability, kindly contact our sales window correspondents.

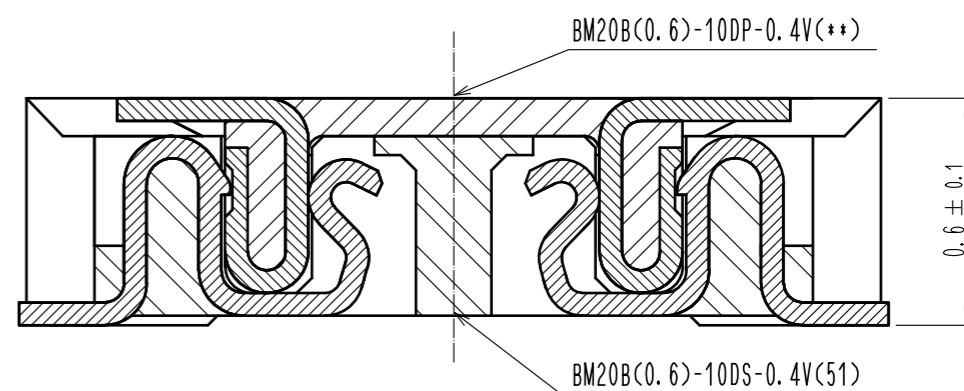


- NOTE 1 . ALL LEAD CO-PLANARITY SHALL BE 0.08mm MAX
- 2 CONTACT PLATING SPECIFICATIONS
 CONTACT AREA : GOLD 0.05 μm MIN
 SMT LEAD : GOLD 0.05 μm MIN
 UNDERPLATING : NICKEL 1 μm MIN
 (SURFACE : SEALING)
- 3 METAL FITTING PLATING SPECIFICATIONS
 SMT LEAD : GOLD 0.05 μm MIN
 UNDERPLATING : NICKEL 1 μm MIN
 (SURFACE : SEALING)
- 4 HRS MARK AND CAV NO. ARE INDICATED IN APPROX POSITION SHOWN.

A-A(50:1)



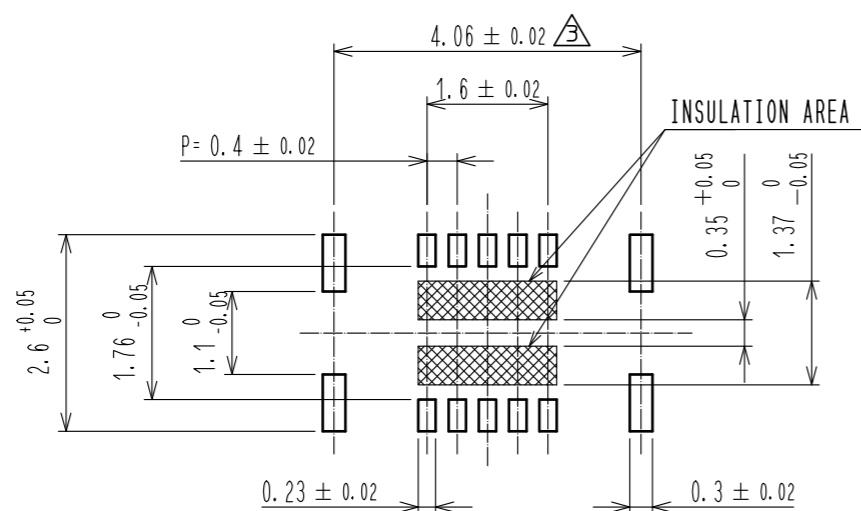
ENGAGEMENT FIGURE (50:1)



| 4 | PS | CLEAR (EMBOSSED CARRIER TAPE) | | | | | |
|--------------------------------------|-----------------|---------------------------------|-----------------------------------|--|------------------------------|-------------------------|------------------|
| 3 | BRASS | 3 | 7 | PS | CLEAR (REINFORCEMENT COLLAR) | | |
| 2 | PHOSPHOR BRONZE | 2 | 6 | PS | BLACK (PLASTIC REEL) | | |
| 1 | LCP | UL94 V-0, BLACK | 5 | POLYESTER | CLEAR (COVER TAPE) | | |
| NO. | MATERIAL | FINISH . REMARKS | NO. | MATERIAL | FINISH . REMARKS | | |
| UNITS mm | | SCALE 10:1 | COUNT 3 | DESCRIPTION OF REVISIONS DIS-H-00003231 | DESIGNED RT. SHIMIZU | CHECKED TS. MIYAZAKI | DATE 17.11.02 |
| HRS HIROSE ELECTRIC CO., LTD. | | APPROVED : KH. IKEDA 12.11.05 | DRAWING NO. EDC3-347095-51 | | | | |
| | | CHECKED : WR. FUKUCHI 12.11.05 | PART NO. BM20B(0.6)-10DS-0.4V(51) | | | | |
| | | DESIGNED : RT. SHIMIZU 12.11.05 | CODE NO. CL684-9308-8-51 | | | | |
| | | DRAWN : RT. SHIMIZU 12.11.05 | | | | | |

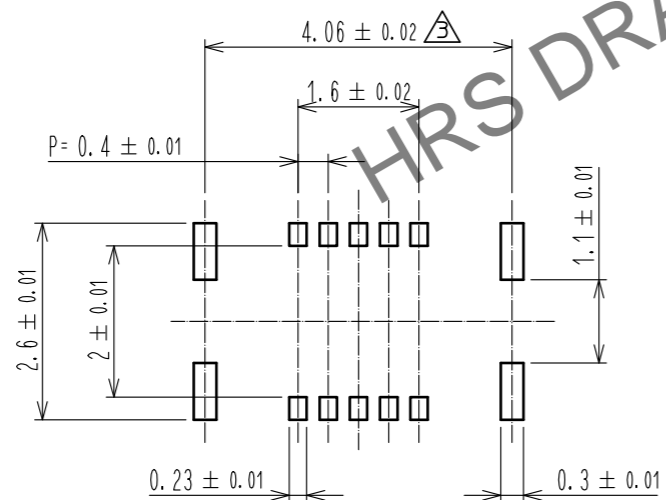
Dec.1.2024 Copyright 2024 HIROSE ELECTRIC CO., LTD. All Rights Reserved.
In case of consideration for using Automotive equipment / device which demand high reliability, kindly contact our sales window correspondents.

◆ RECOMMENDED PCB LAYOUT

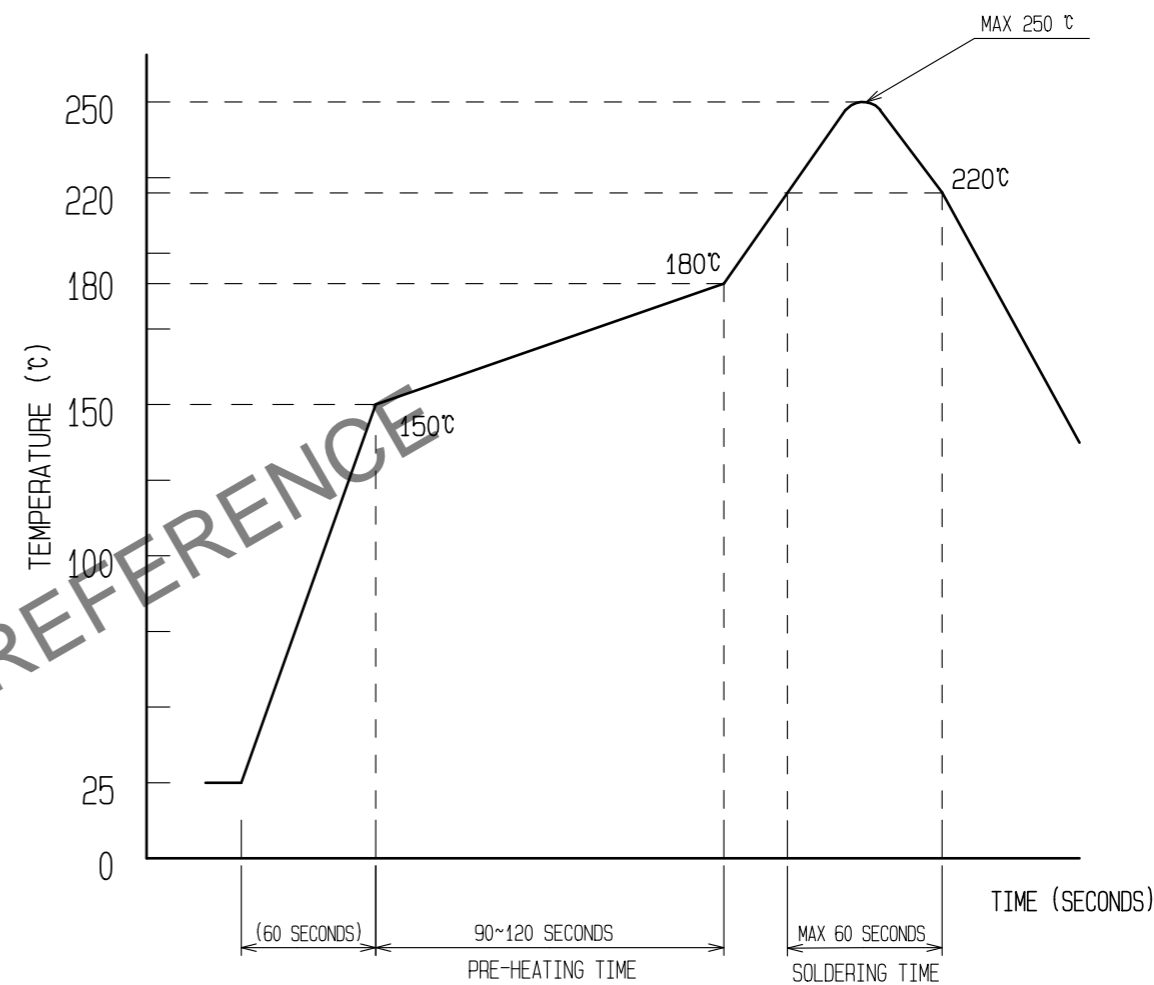


◆ RECOMMENDED METAL MASK DIMENSIONS

MATAL MASK THICKNESS : 100 μm



5 RECOMMENDED REFLOW TEMPERATURE PROFILE USING LEAD-FREE SOLDER PASTE.



- REFLOW METHOD : IR REFLOW
 NUMBER OF REFLOW CYCLES : 2 CYCLES MAX.
 1) REFLOW TIME
 DURATION ABOVE 220°C, 60 SEC MAX.
 (PEAK TEMPERATURE : 250°C MAX)
 2) PRE-HEAT TIME
 PRE-HEAT TEMPERATURE(MIN): 150°C
 PRE-HEAT TEMPERATURE(MAX): 180°C
 PRE-HEAT TIME: 90-120 SEC.

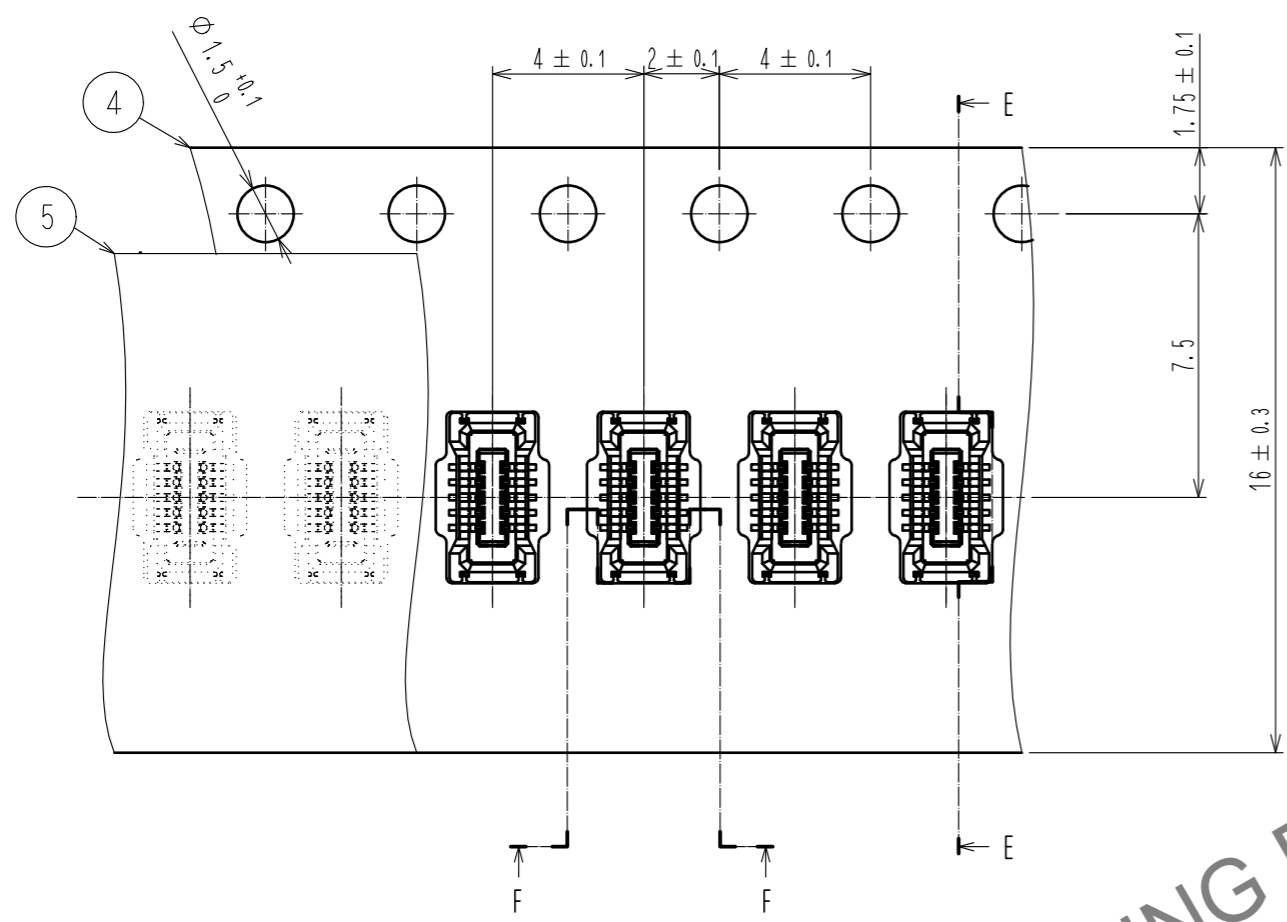
5 THE TEMPERATURE PROFILE IS PER THE CONDITIONS SHOWN ABOVE. ADDITIONAL FACTORS, SUCH AS SOLDER PASTE TYPE, PCB SIZE AND OTHER MOUNTED COMPONENTS COULD AFFECT THE PROFILE. THEREFORE, A THOROUGH EVALUATION OF MOUNTING CONDITION IS REQUIRED PRIOR TO PRODUCTION. TEMPERATURE IS MEASURED AT CONTACT LEAD.

| | | |
|------------|-------------|--------------------------|
| HRS | DRAWING NO. | EDC3-347095-51 |
| | PART NO. | BM20B(0.6)-10DS-0.4V(51) |
| | CODE NO. | CL684-9308-8-51 |

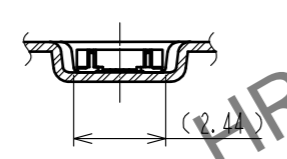
3/2/3

Dec.1.2024 Copyright 2024 HIROSE ELECTRIC CO., LTD. All Rights Reserved.
 In case of consideration for using Automotive equipment / device which demand high reliability, kindly contact our sales window correspondents.

EMBOSED CARRIER TAPE PACKAGING (5:1)

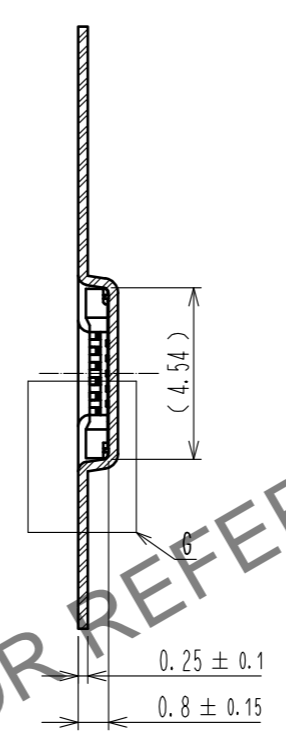


F-F (5:1)

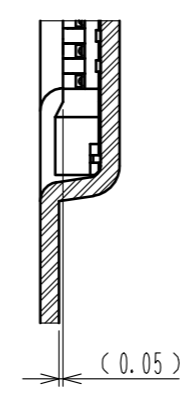


DIRECTION OF UNREELING

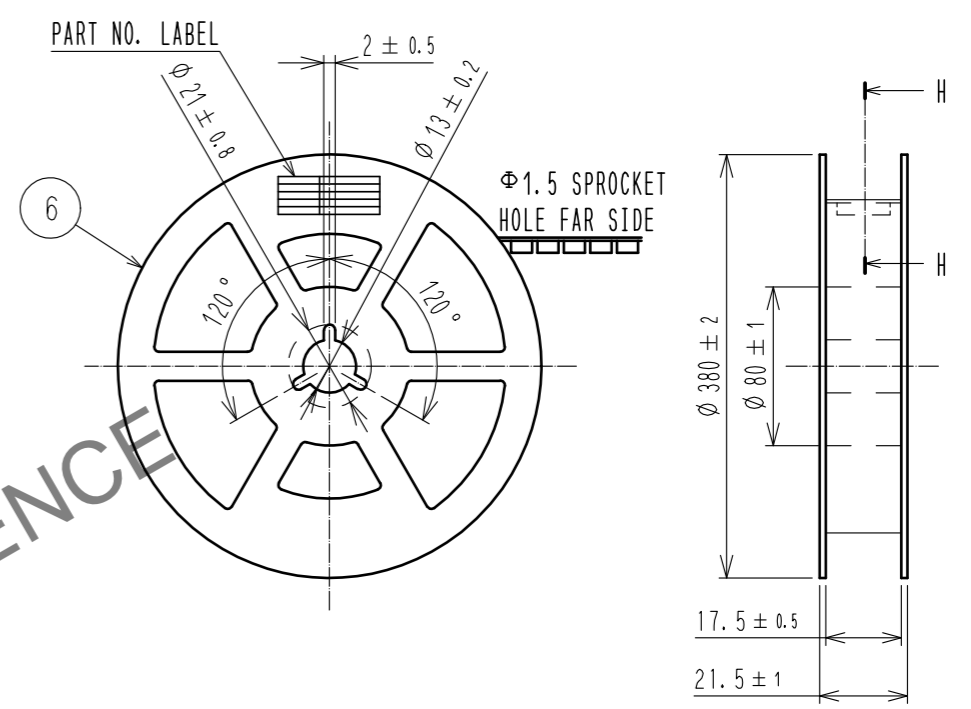
E-E (5:1)



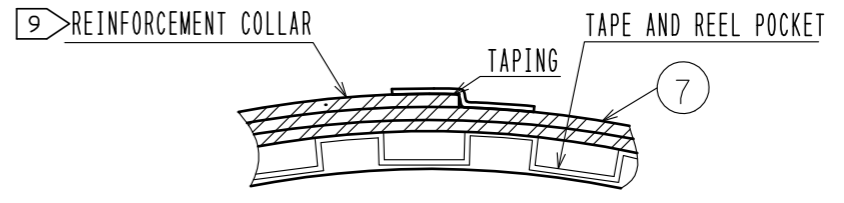
G(10:1)



STYLE AND DIMENTION OF REEL (FREE)



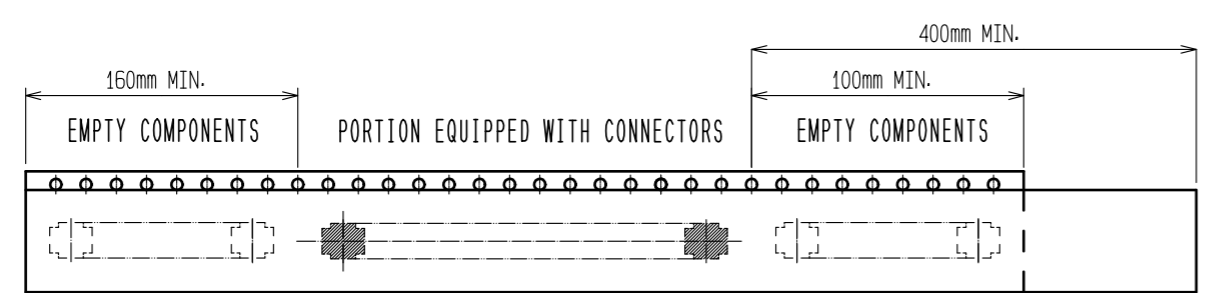
H-H (FREE)



DETAIL OF PART NO. LABEL

| | |
|-------|--------------------------|
| 製造年月日 | ** ** * |
| 製品コード | CL0684-9308-8-51 |
| 製品名 | BM20B(0.6)-10DS-0.4V(51) |
| 数量 | 8,000 |
| 納入者 | ヒロセ電機(株) |

DATA OF MANUFACTURED
 CODE NO.
 PART NO.
 QUANTITY
 SUPPLIER



(8) TAPING (FREE)

- 6. PER REEL 8000 CONNECTORS.
- 7. THE DIMENSIONS IN PARENTHESSES ARE FOR REFERENCE.
- (8) REFER TO JIS C 0806(IEC 60286-3)<PACKAGING OF COMPONENTS FOR AUTOMATIC HANDLING> (A)
- (9) AFTER PACKAGING, ROLL 2 METERS OF THE REINFORCEMENT COLLAR TO OUTER CIRCUMFERENCE OF TAPE AND REEL POCKET. AND TAPE DOWN AT THE END THE COLLAR.

| | | |
|------------|-------------|--------------------------|
| HRS | DRAWING NO. | EDC3-347095-51 |
| | PART NO. | BM20B(0.6)-10DS-0.4V(51) |
| | CODE NO. | CL684-9308-8-51 |
| | | (A) 3/3 |