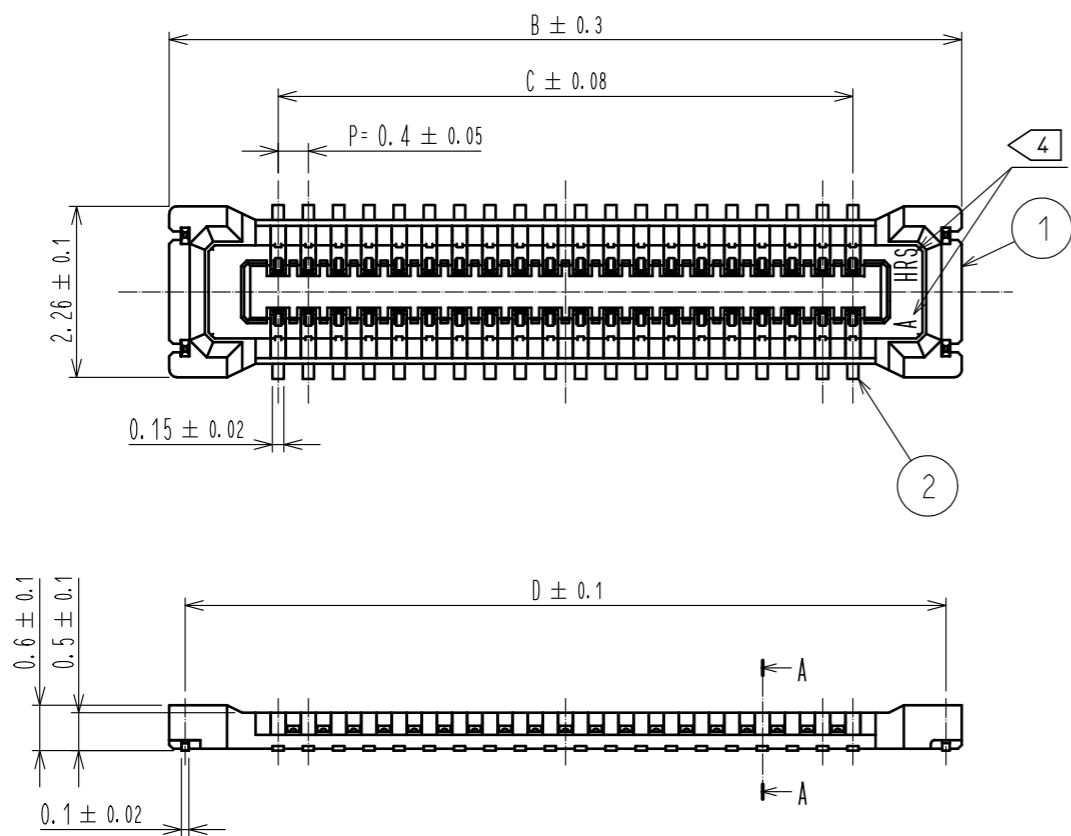
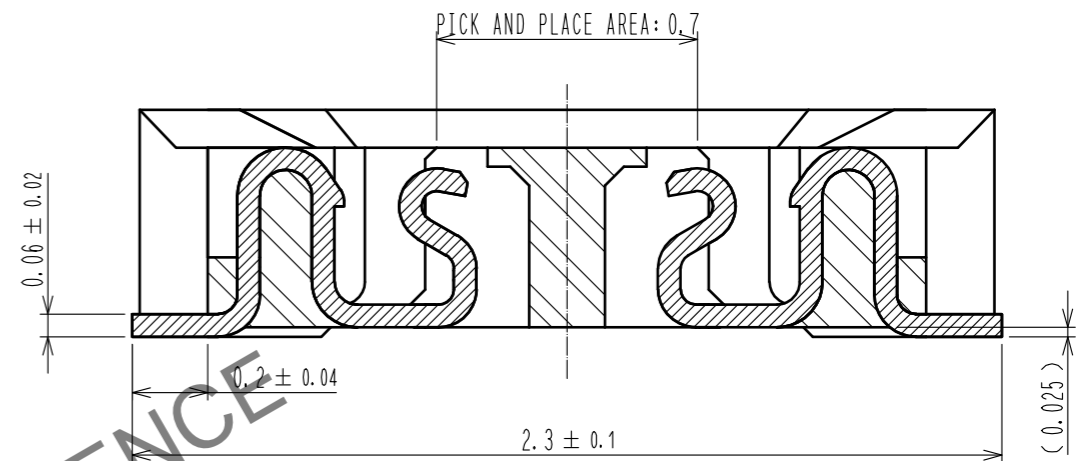


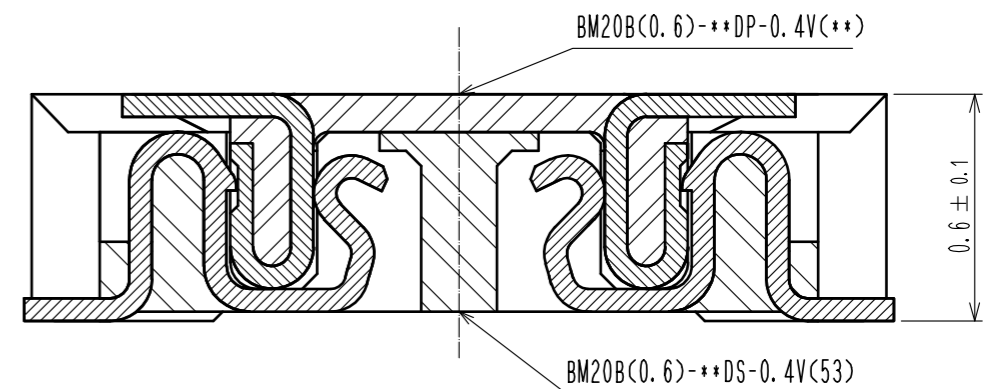
Dec.1.2024 Copyright 2024 HIROSE ELECTRIC CO., LTD. All Rights Reserved.
In case of consideration for using Automotive equipment / device which demand high reliability, kindly contact our sales window correspondents.



A-A (50:1)



ENGAGEMENT FIGURE (50:1)



PART No.	CODE No.	B	C	D
BM20B(0.6)-10DS-0.4V(53)	CL0684-9308-8-53	4.48	2.6	4.06
BM20B(0.6)-20DS-0.4V(53)	CL0684-9309-0-53	6.48	3.6	6.06
BM20B(0.6)-24DS-0.4V(53)	CL0684-9310-0-53	7.28	4.4	6.86
BM20B(0.6)-30DS-0.4V(53)	CL0684-9311-2-53	8.48	5.6	8.06
BM20B(0.6)-34DS-0.4V(53)	CL0684-9312-5-53	9.28	6.4	8.86
BM20B(0.6)-40DS-0.4V(53)	CL0684-9313-8-53	10.48	7.6	10.06
BM20B(0.6)-50DS-0.4V(53)	CL0684-9314-0-53	12.48	9.6	12.06

NOTE 1. ALL LEAD CO-PLANARITY SHALL BE 0.08mm MAX

2. CONTACT PLATING SPECIFICATIONS
 CONTACT AREA : GOLD 0.05 μm MIN
 SMT LEAD : GOLD 0.05 μm MIN
 UNDERPLATING : NICKEL 1 μm MIN
 (SURFACE : SEALING)

3. METAL FITTING PLATING SPECIFICATIONS
 SMT LEAD : GOLD 0.05 μm MIN
 UNDERPLATING : NICKEL 1 μm MIN
 (SURFACE : SEALING)

4. HRS MARK AND CAV NO. ARE INDICATED IN APPROX POSITION SHOWN.

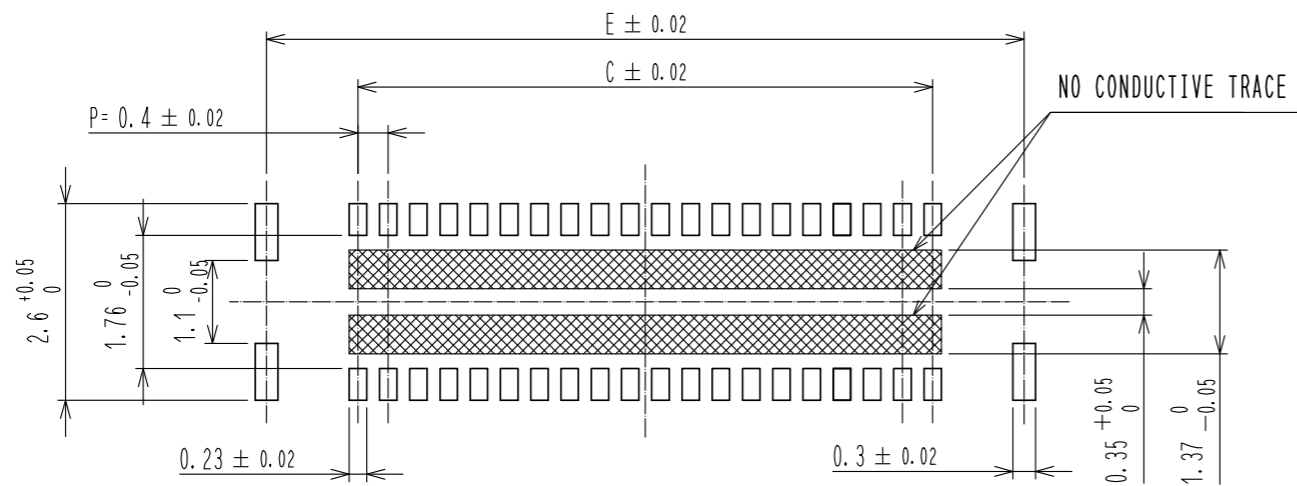
5. GATE POSITION IS INDICATED IN APPROX. POSITION SHOWN.

NO.	MATERIAL	FINISH . REMARKS	NO.	MATERIAL	FINISH . REMARKS
4	PS	CLEAR (EMBOSSED CARRIER TAPE)	7	PS	CLEAR (REINFORCEMENT COLLAR)
3	BRASS	3	6	PS	BLACK (PLASTIC REEL)
2	PHOSPHOR BRONZE	2	5	POLYESTER	CLEAR (COVER TAPE)
1	LCP	UL94 V-0, BLACK			

UNITS	SCALE	COUNT	DESCRIPTION OF REVISIONS	DESIGNED	CHECKED	DATE
mm	10:1	△				
APPROVED : MO. ISHIDA			15.04.21	DRAWING NO. EDC-351136-53-01		
CHECKED : TS. MIYAZAKI			15.04.21	PART NO. BM20B(0.6)-*DS-0.4V(53)		
DESIGNED : RT. SHIMIZU			15.04.21	CODE NO. CL684		
DRAWN : KR. AJITO			15.04.10	1/3		

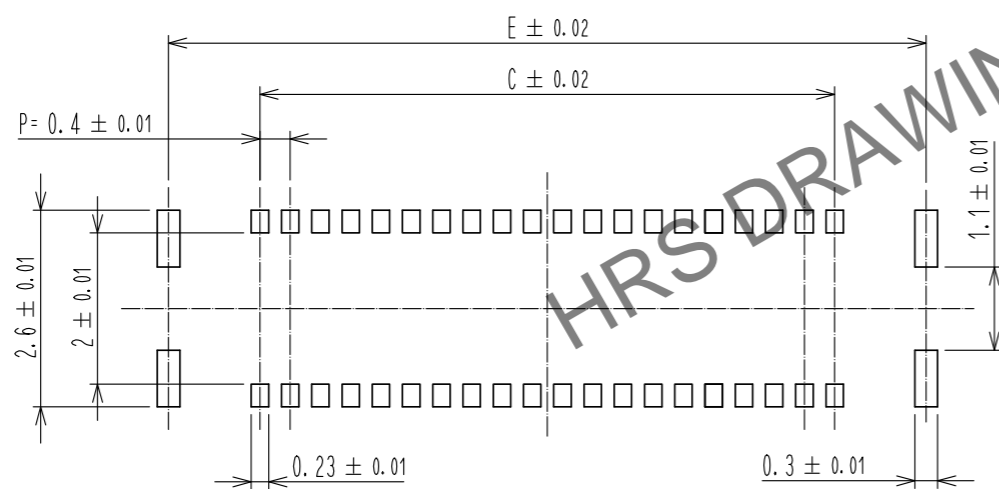
Dec.1.2024 Copyright 2024 HIROSE ELECTRIC CO., LTD. All Rights Reserved.
In case of consideration for using Automotive equipment / device which demand high reliability, kindly contact our sales window correspondents.

7 RECOMMENDED PCB LAYOUT



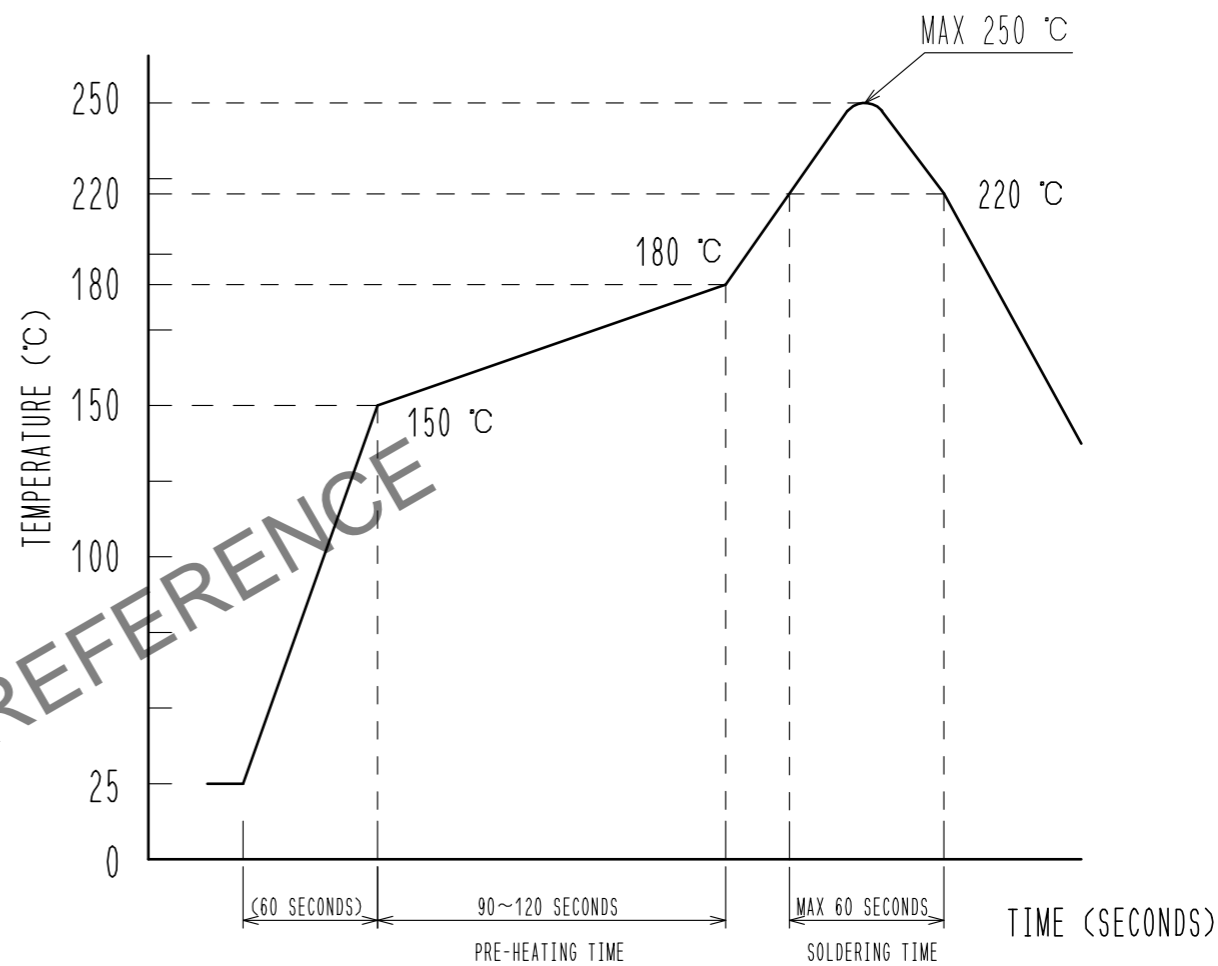
RECOMMENDED METAL MASK DIMENSIONS

MATAL MASK THICKNESS : 100 μm



PART No.	C	E
BM20B(0.6)-10DS-0.4V(53)	1.6	4.02
BM20B(0.6)-20DS-0.4V(53)	3.6	6.02
BM20B(0.6)-24DS-0.4V(53)	4.4	6.82
BM20B(0.6)-30DS-0.4V(53)	5.6	8.02
BM20B(0.6)-34DS-0.4V(53)	6.4	8.82
BM20B(0.6)-40DS-0.4V(53)	7.6	10.02
BM20B(0.6)-50DS-0.4V(53)	9.6	12.02

6 RECOMMENDED REFLOW TEMPERATURE PROFILE USING LEAD-FREE SOLDER PASTE.



REFLOW METHOD : IR REFLOW

NUMBER OF REFLOW CYCLES : 2 CYCLES MAX.

1) REFLOW TIME

DURATION ABOVE 220°C, 60 SEC MAX.
(PEAK TEMPERATURE : 250°C MAX)

2) PRE-HEAT TIME

PRE-HEAT TEMPERATURE(MIN): 150°C
PRE-HEAT TEMPERATURE(MAX): 180°C
PRE-HEAT TIME: 90-120 SEC.

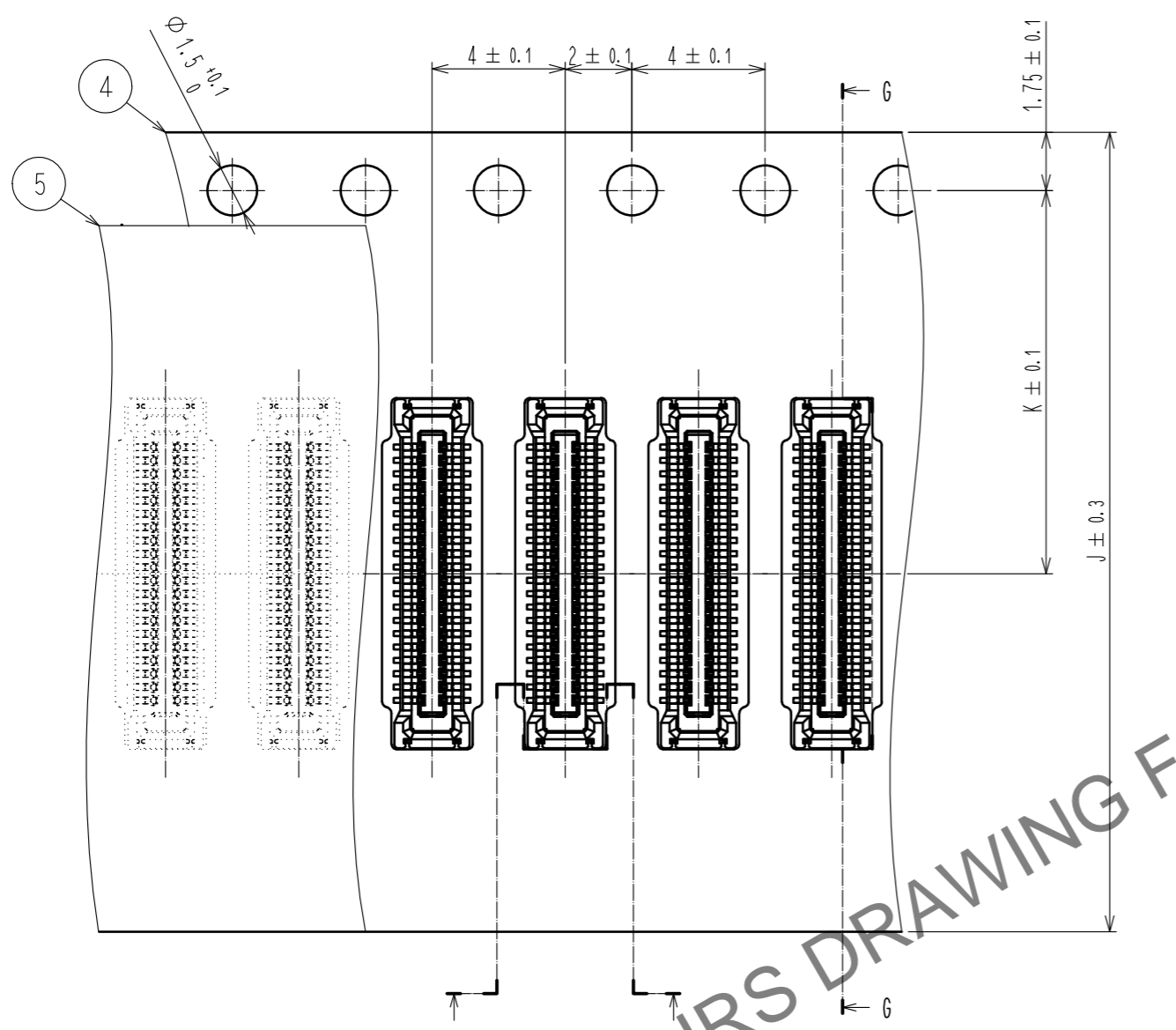
6 THE TEMPERATURE PROFILE IS PER THE CONDITIONS SHOWN ABOVE. ADDITIONAL FACTORS, SUCH AS SOLDER PASTE TYPE, PCB SIZE AND OTHER MOUNTED COMPONENTS COULD AFFECT THE PROFILE. THEREFORE, A THOROUGH EVALUATION OF MOUNTING CONDITION IS REQUIRED PRIOR TO PRODUCTION. TEMPERATURE IS MEASURED AT CONTACT LEAD.

7 PLEASE CONTACT US IN CASE YOU WILL MAKE DIFFERENT SETTINGS FROM OUR RECOMMENDATION.

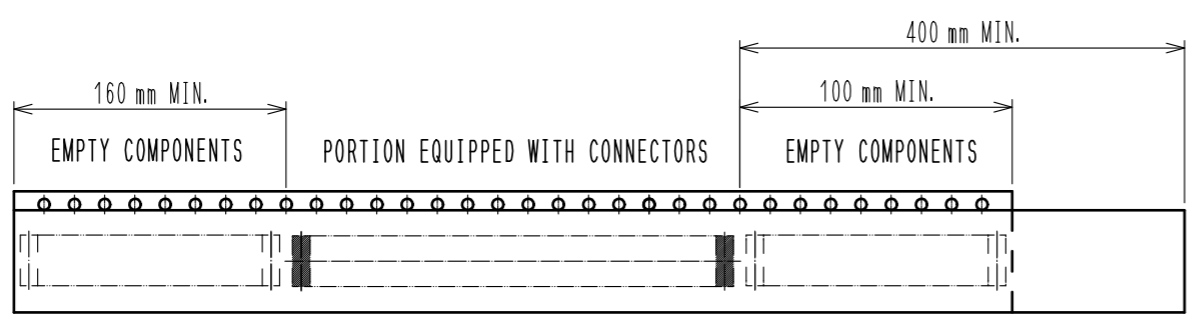
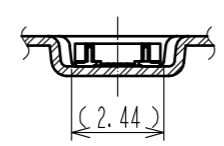
HRS	DRAWING NO.	EDC-351136-53-01
	PART NO.	BM20B(0.6)-*DS-0.4V(53)
	CODE NO.	CL684

Dec.1.2024 Copyright 2024 HIROSE ELECTRIC CO., LTD. All Rights Reserved.
In case of consideration for using Automotive equipment / device which demand high reliability, kindly contact our sales window correspondents.

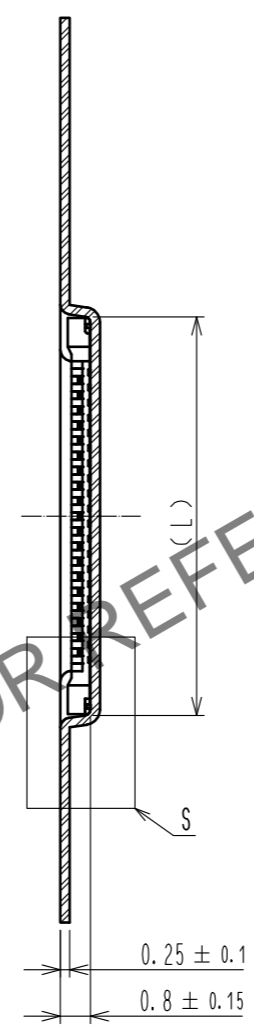
EMBOSSED CARRIER TAPE PACKAGING (5:1)



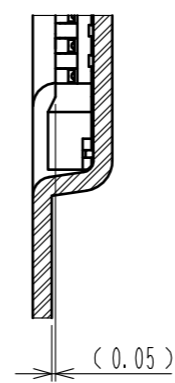
H-H (5:1)



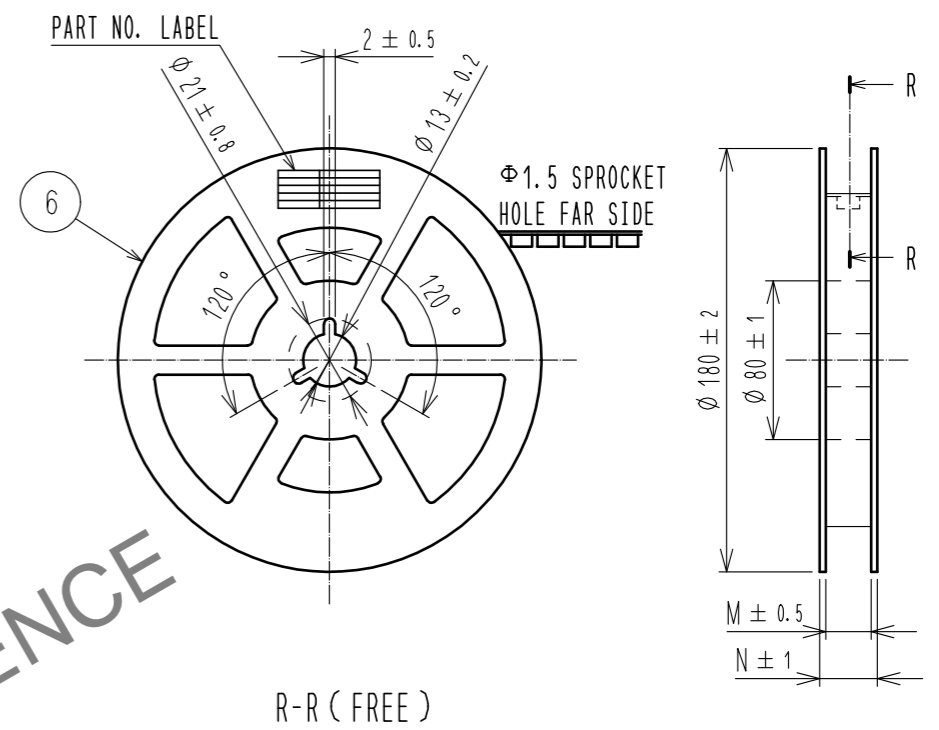
G-G (5:1)



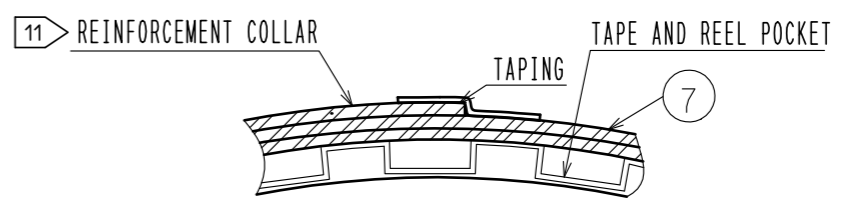
S (10:1)



STYLE AND DIMENTION OF REEL (FREE)



R-R (FREE)



DETAIL OF PART NO. LABEL

製造年月日	** ** *
製品コード	CL0684-****-**- (53)
製品名	BM20B(0.6)-*DS-0.4V(53)
数量	1,000
納入者	ヒロセ電機(株)

DATA OF MANUFACTURED
CODE NO.
PART NO.
QUANTITY
SUPPLIER

PART No.	J	K	L	M	N
BM20B(0.6)-10DS-0.4V(53)	16	7.5	4.54	17.5	21.5
BM20B(0.6)-20DS-0.4V(53)	16	7.5	6.54	17.5	21.5
BM20B(0.6)-24DS-0.4V(53)	16	7.5	7.34	17.5	21.5
BM20B(0.6)-30DS-0.4V(53)	24	11.5	8.54	25.5	29.5
BM20B(0.6)-34DS-0.4V(53)	24	11.5	9.34	25.5	29.5
BM20B(0.6)-40DS-0.4V(53)	24	11.5	10.54	25.5	29.5
BM20B(0.6)-50DS-0.4V(53)	24	11.5	12.54	25.5	29.5

- 8 . PER REEL 1,000 CONNECTORS.
- 9 . THE DIMENSIONS IN PARENTHESES ARE FOR REFERENCE.
- 10 . REFER TO JIS C 0806, IEC 60286-3(PACKAGING OF COMPONENTS FOR AUTOMATIC HANDLING)
- 11 . AFTER PACKAGING, ROLL 2 METERS OF THE REINFORCEMENT COLLAR TO OUTER CIRCUMFERENCE OF TAPE AND REEL POCKET. AND TAPE DOWN AT THE END THE COLLAR.

HRS	DRAWING NO.	EDC-351136-53-01
	PART NO.	BM20B(0.6)-*DS-0.4V(53)
	CODE NO.	CL684