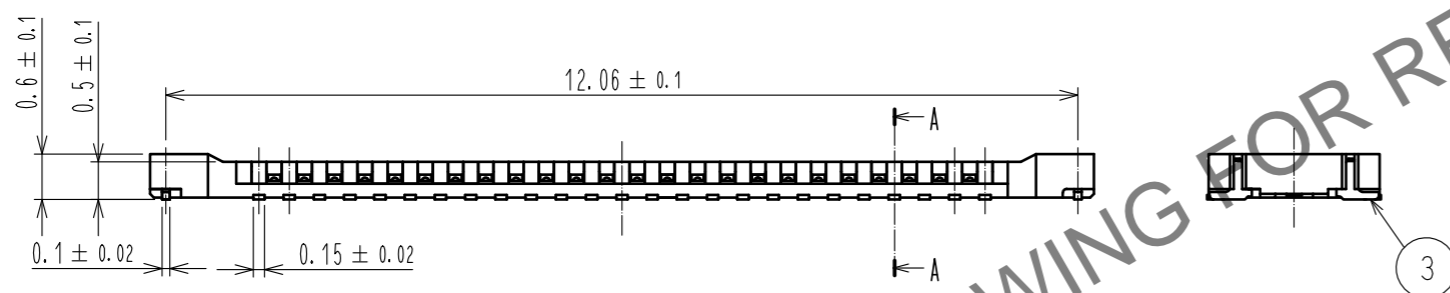
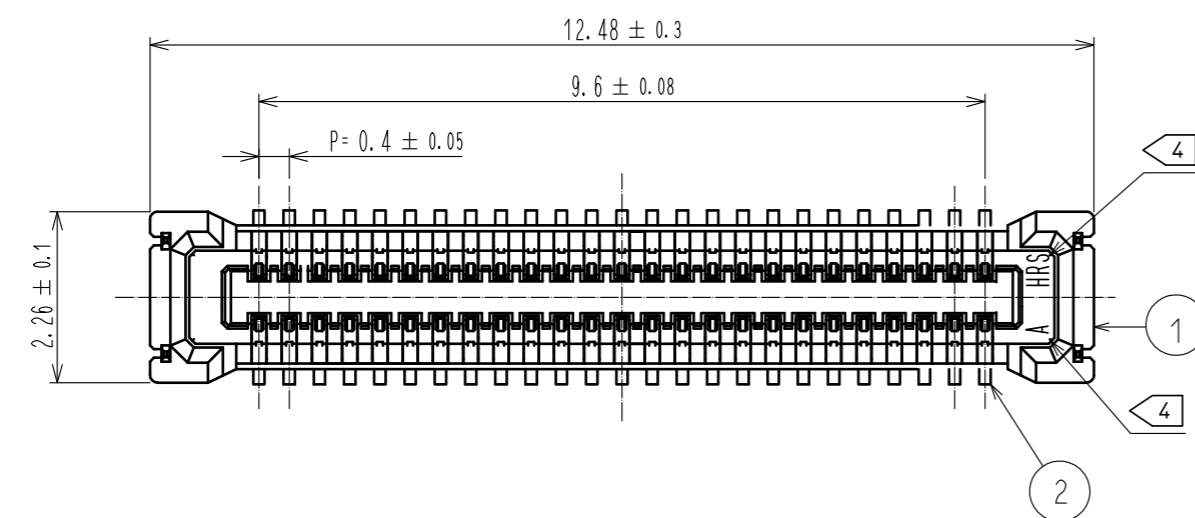
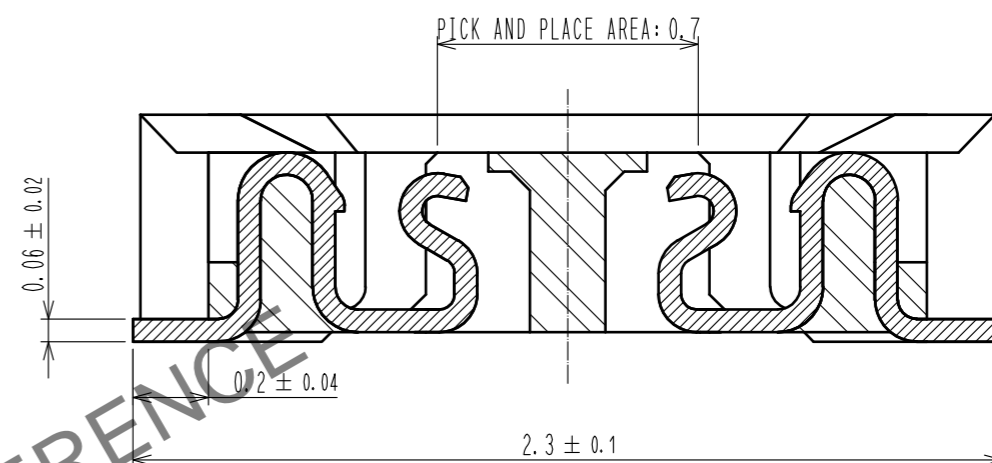


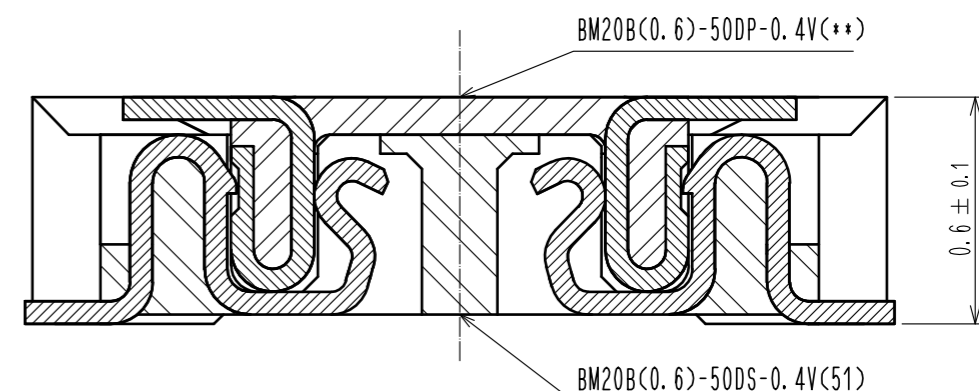
Dec.1.2024 Copyright 2024 HIROSE ELECTRIC CO., LTD. All Rights Reserved.  
In case of consideration for using Automotive equipment / device which demand high reliability, kindly contact our sales window correspondents.



A-A(50:1)



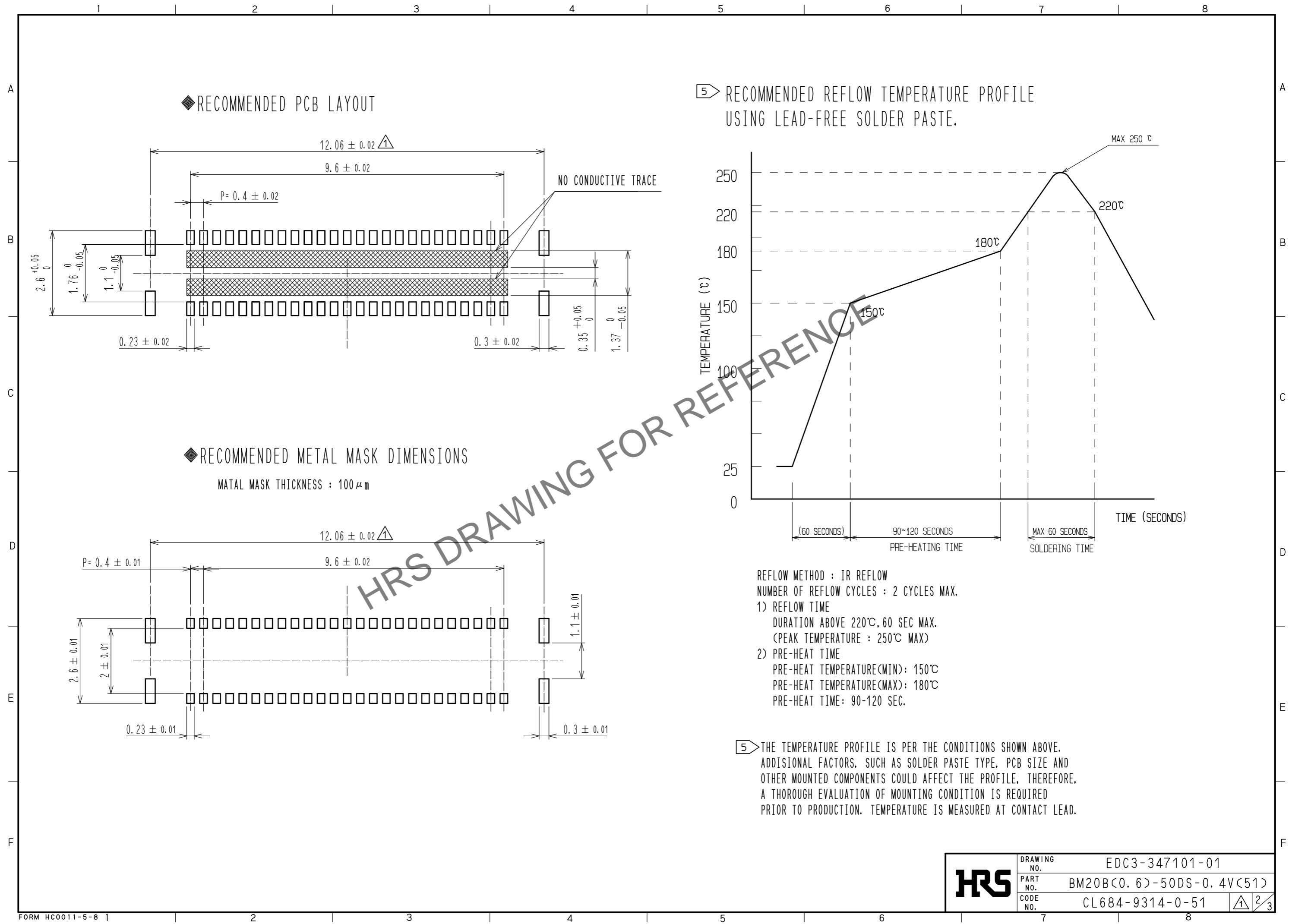
ENGAGEMENT FIGURE (50:1)



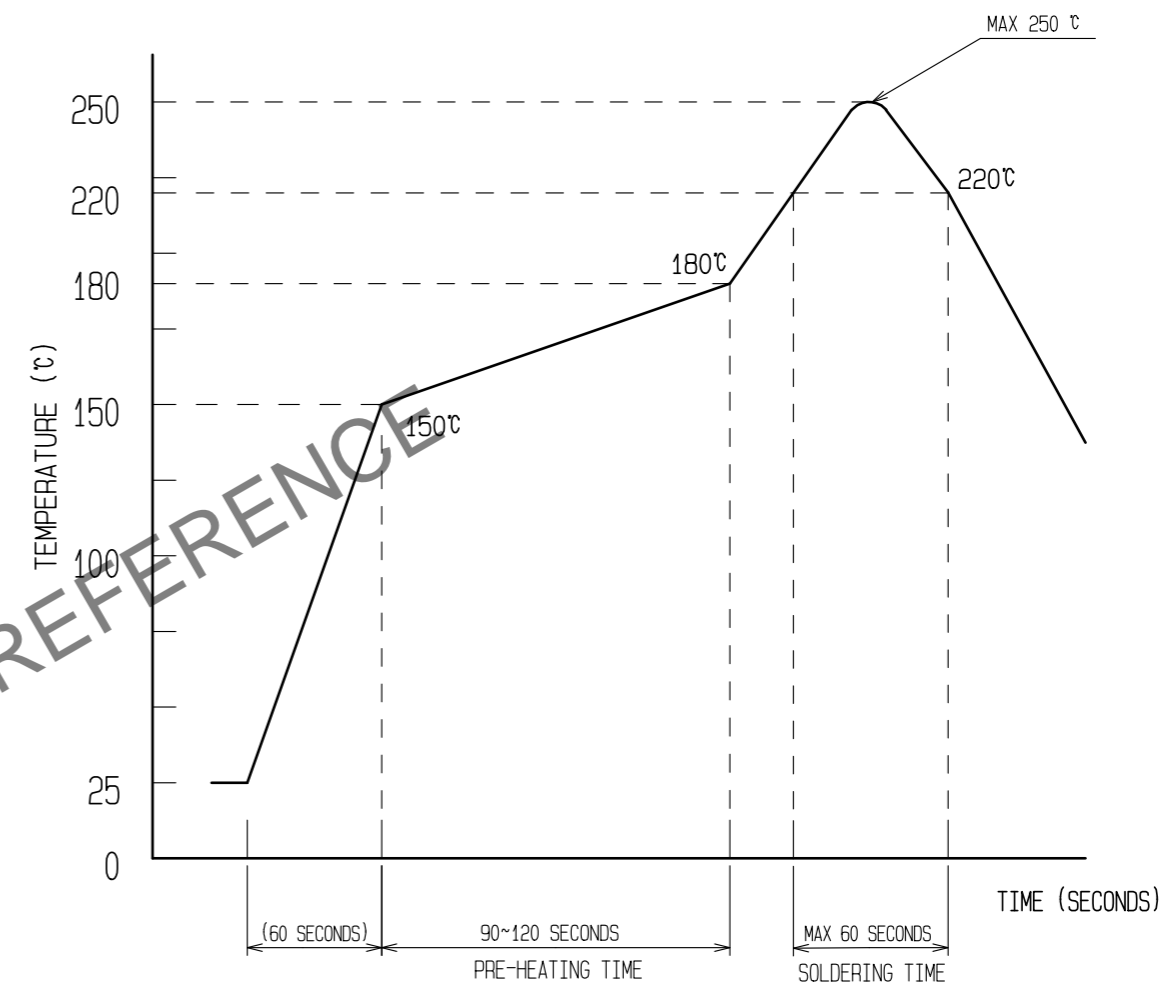
- NOTE 1 . ALL LEAD CO-PLANARITY SHALL BE 0.08mm MAX
- ② CONTACT PLATING SPECIFICATIONS  
CONTACT AREA : GOLD 0.05 μm MIN  
SMT LEAD : GOLD 0.05 μm MIN  
UNDERPLATING : NICKEL 1 μm MIN  
( SURFACE : SEALING )
  - ③ METAL FITTING PLATING SPECIFICATIONS  
SMT LEAD : GOLD 0.05 μm MIN  
UNDERPLATING : NICKEL 1 μm MIN  
( SURFACE : SEALING )
  - ④ HRS MARK AND CAV NO. ARE INDICATED IN APPROX POSITION SHOWN.

4	PS	CLEAR (EMBOSSED CARRIER TAPE)			
3	BRASS	③	7	PS	CLEAR (REINFORCEMENT COLLAR)
2	PHOSPHOR BRONZE	②	6	PS	BLACK (PLASTIC REEL)
1	LCP	UL94 V-0, BLACK	5	POLYESTER	CLEAR (COVER TAPE)
NO.	MATERIAL	FINISH . REMARKS	NO.	MATERIAL	FINISH . REMARKS
UNITS	mm	SCALE	10 : 1	COUNT	2
DESCRIPTION OF REVISIONS			DESIGNED	CHECKED	DATE
DIS-H-00003231			RT. SHIMIZU	TS. MIYAZAKI	17. 11. 02
APPROVED : KH. IKEDA 13. 08. 07			DRAWING NO. EDC3-347101-01		
CHECKED : TS. MIYAZAKI 13. 08. 07			PART NO. BM20B(0.6)-50DS-0.4V(51)		
DESIGNED : RT. SHIMIZU 13. 08. 07			CODE NO. CL684-9314-0-51		
DRAWN : KR. AJITO 13. 08. 07			1/3		

Dec.1.2024 Copyright 2024 HIROSE ELECTRIC CO., LTD. All Rights Reserved.  
In case of consideration for using Automotive equipment / device which demand high reliability, kindly contact our sales window correspondents.



5) RECOMMENDED REFLOW TEMPERATURE PROFILE USING LEAD-FREE SOLDER PASTE.



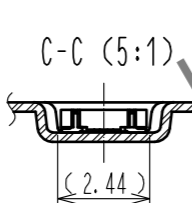
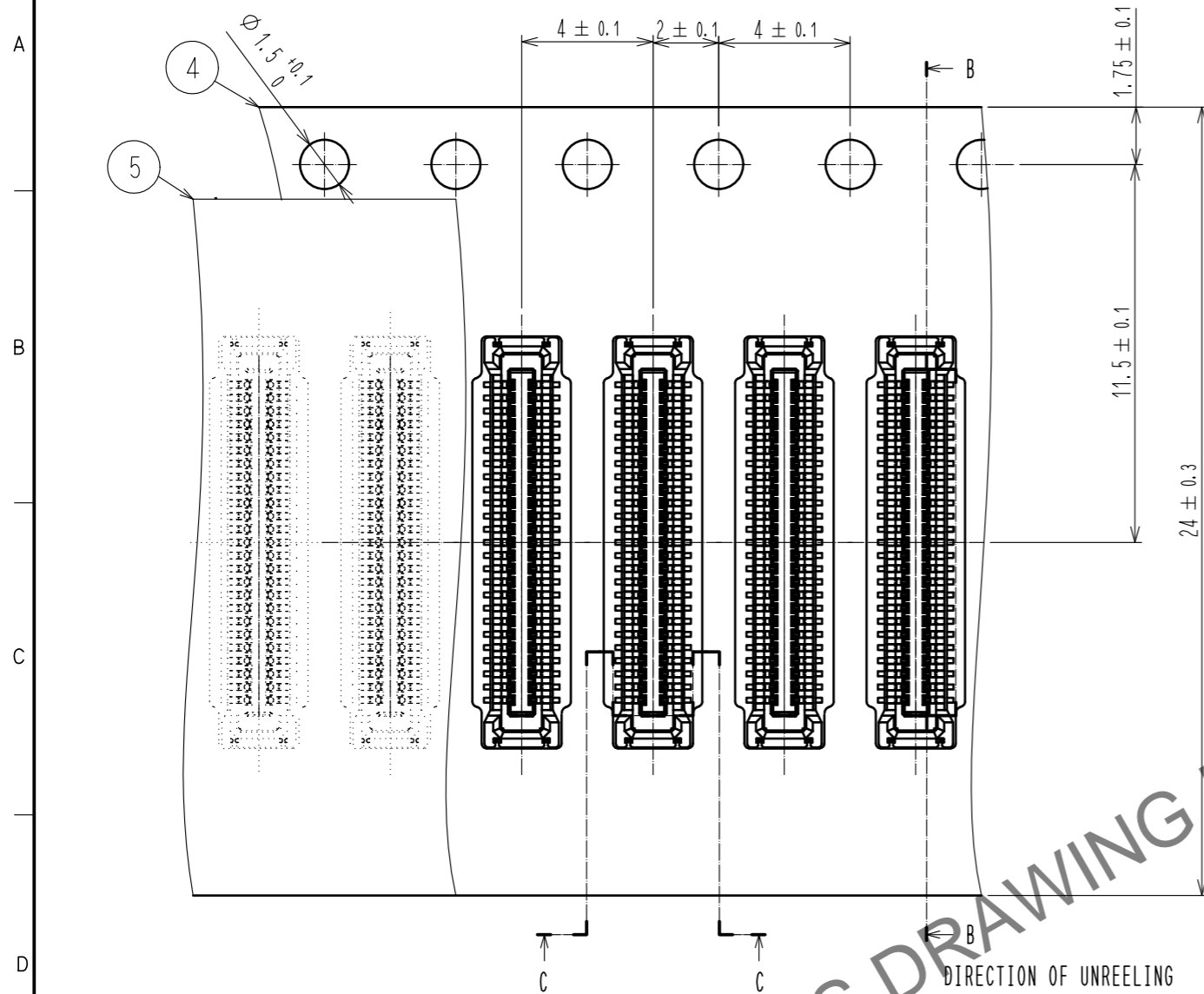
REFLOW METHOD : IR REFLOW  
 NUMBER OF REFLOW CYCLES : 2 CYCLES MAX.  
 1) REFLOW TIME  
 DURATION ABOVE 220°C, 60 SEC MAX.  
 (PEAK TEMPERATURE : 250°C MAX)  
 2) PRE-HEAT TIME  
 PRE-HEAT TEMPERATURE(MIN): 150°C  
 PRE-HEAT TEMPERATURE(MAX): 180°C  
 PRE-HEAT TIME: 90-120 SEC.

5) THE TEMPERATURE PROFILE IS PER THE CONDITIONS SHOWN ABOVE. ADDITIONAL FACTORS, SUCH AS SOLDER PASTE TYPE, PCB SIZE AND OTHER MOUNTED COMPONENTS COULD AFFECT THE PROFILE. THEREFORE, A THOROUGH EVALUATION OF MOUNTING CONDITION IS REQUIRED PRIOR TO PRODUCTION. TEMPERATURE IS MEASURED AT CONTACT LEAD.

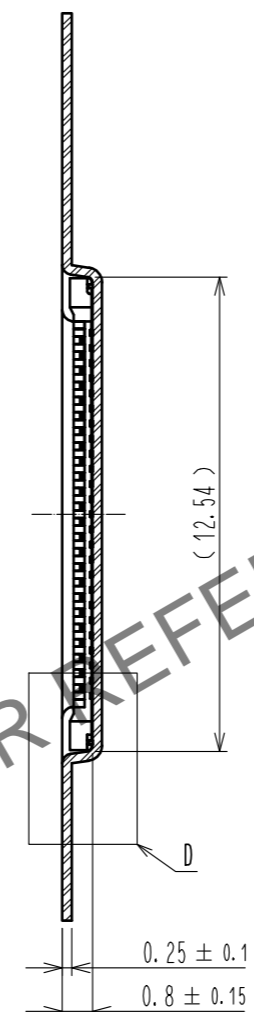
<b>HRS</b>	DRAWING NO.	EDC3-347101-01
	PART NO.	BM20B(0.6)-50DS-0.4V(51)
	CODE NO.	CL684-9314-0-51

Dec.1.2024 Copyright 2024 HIROSE ELECTRIC CO., LTD. All Rights Reserved.  
In case of consideration for using Automotive equipment / device which demand high reliability, kindly contact our sales window correspondents.

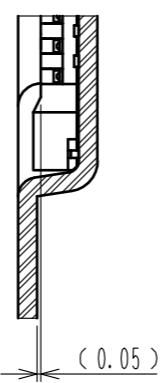
### EMBOSED CARRIER TAPE PACKAGING (5:1)



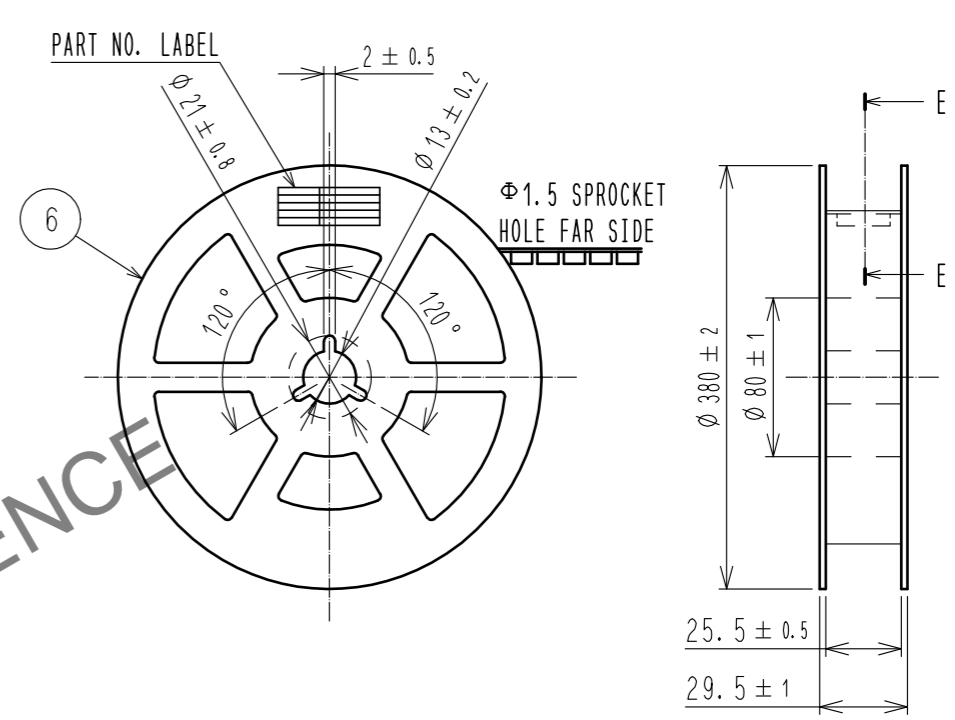
### B-B (5:1)



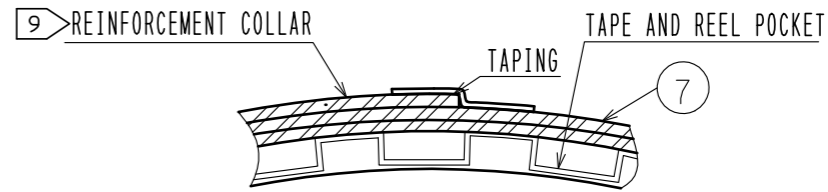
### D(10:1)



### STYLE AND DIMENTION OF REEL (FREE)



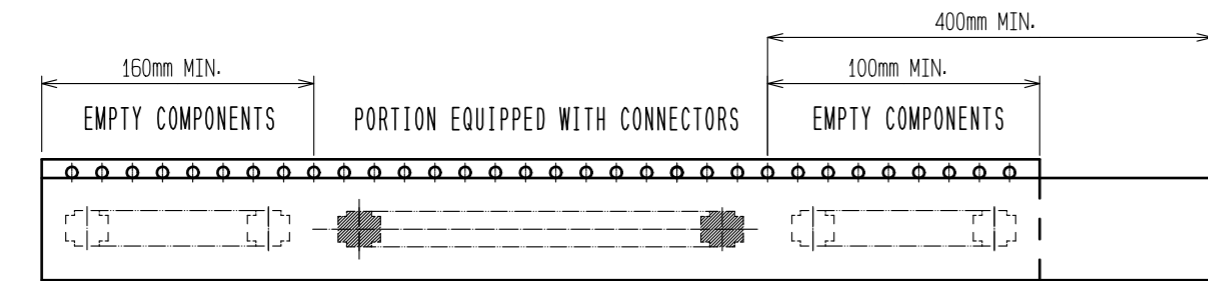
### E-E (FREE)



### DETAIL OF PART NO. LABEL

製造年月日	** ** *
製品コード	CL0684-9314-0-51
製品名	BM20B(0.6)-50DS-0.4V(51)
数量	8,000
納入者	ヒロセ電機(株)

DATA OF MANUFACTURED  
CODE NO.  
PART NO.  
QUANTITY  
SUPPLIER



- 6. PER REEL 8000 CONNECTORS.
- 7. THE DIMENSIONS IN PARENTHESES ARE FOR REFERENCE.
- 8. REFER TO JIS C 0806 (IEC 60286-3)(PACKAGING OF COMPONENTS FOR AUTOMATIC HANDLING)
- 9. AFTER PACKAGING, ROLL 2 METERS OF THE REINFORCEMENT COLLAR TO OUTER CIRCUMFERENCE OF TAPE AND REEL POCKET. AND TAPE DOWN AT THE END THE COLLAR.

<b>HRS</b>	DRAWING NO.	EDC3-347101-01
	PART NO.	BM20B(0.6)-50DS-0.4V(51)
	CODE NO.	CL684-9314-0-51