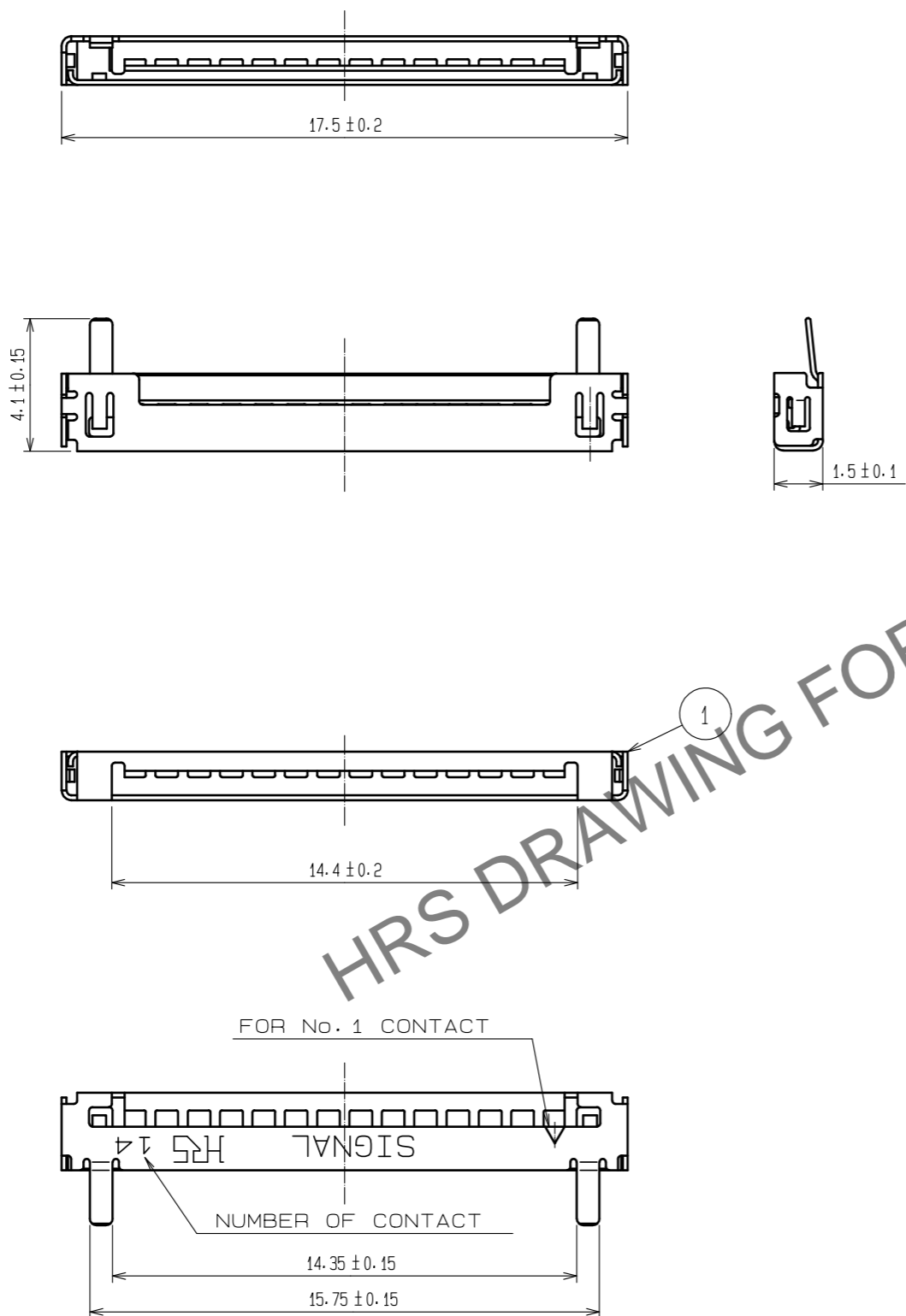


Apr.1.2024 Copyright 2024 HIROSE ELECTRIC CO., LTD. All Rights Reserved.  
 In case of consideration for using Automotive equipment / device which demand high reliability, kindly contact our sales window correspondents.



HRS DRAWING FOR REFERENCE

NOTE 1: TRAY PACKAGING. (100 PCS)

NO.		MATERIAL		FINISH . REMARKS		NO.		MATERIAL		FINISH . REMARKS	
		1		STAINLESS STEEL				SURFACE: TIN PLATED 1μm min		UNDER PLATED: NICKEL PLATED 1μm min	
UNITS	mm	SCALE	5 : 1	COUNT	△	DESCRIPTION OF REVISIONS		DESIGNED	CHECKED	DATE	
HIROSE ELECTRIC CO., LTD.		APPROVED : HS. OKAWA		20200313		DRAWING NO.		EDC-162746-06-00			
		CHECKED : TS. KUMAZAWA		20200313		PART NO.		DF19G-14S-1F-GND<06>			
		DESIGNED : HK. HAYASHI		20200313		CODE NO.		CL685-0018-5-06			
		DRAWN : DS. HIROWATARI		20200306				1/1			