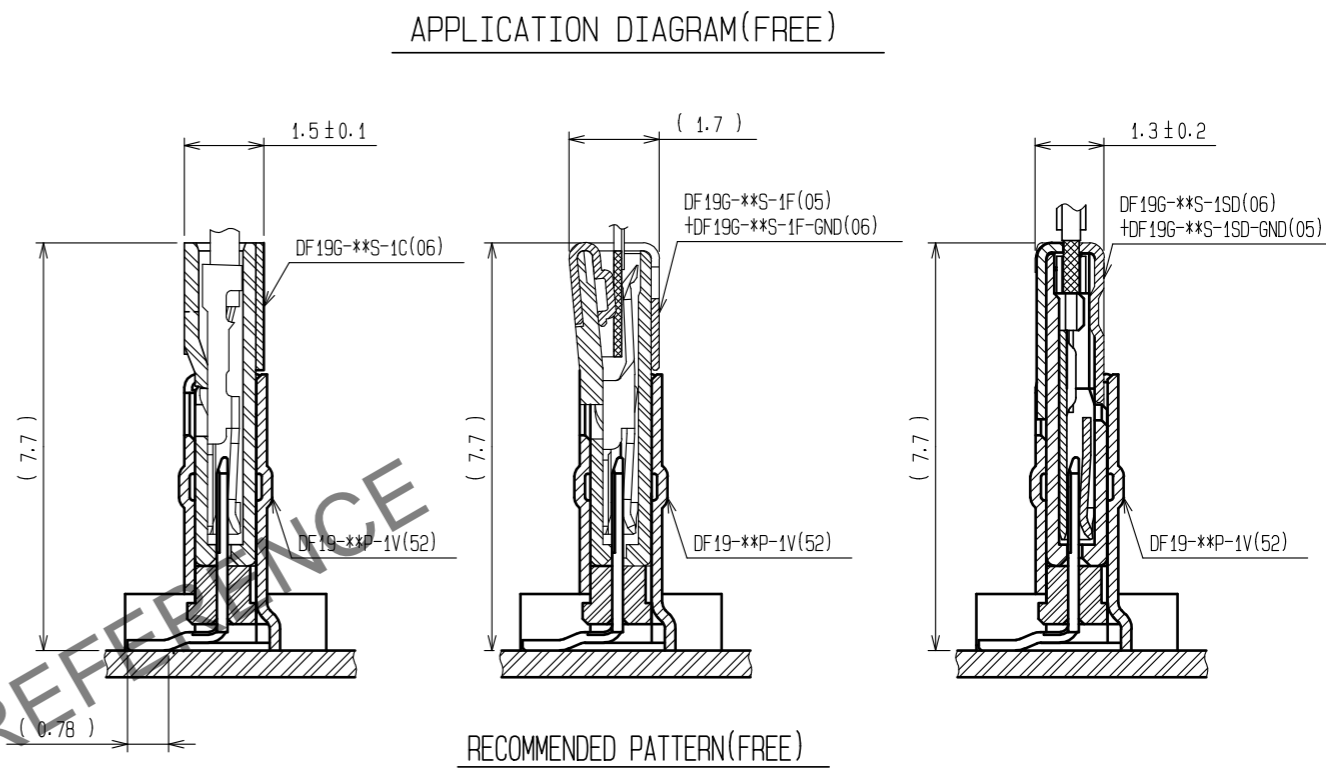
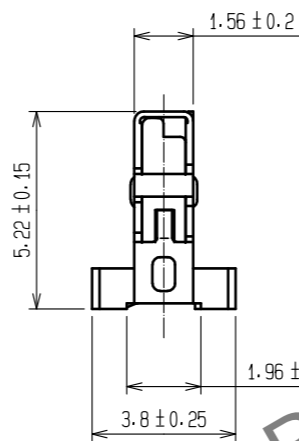
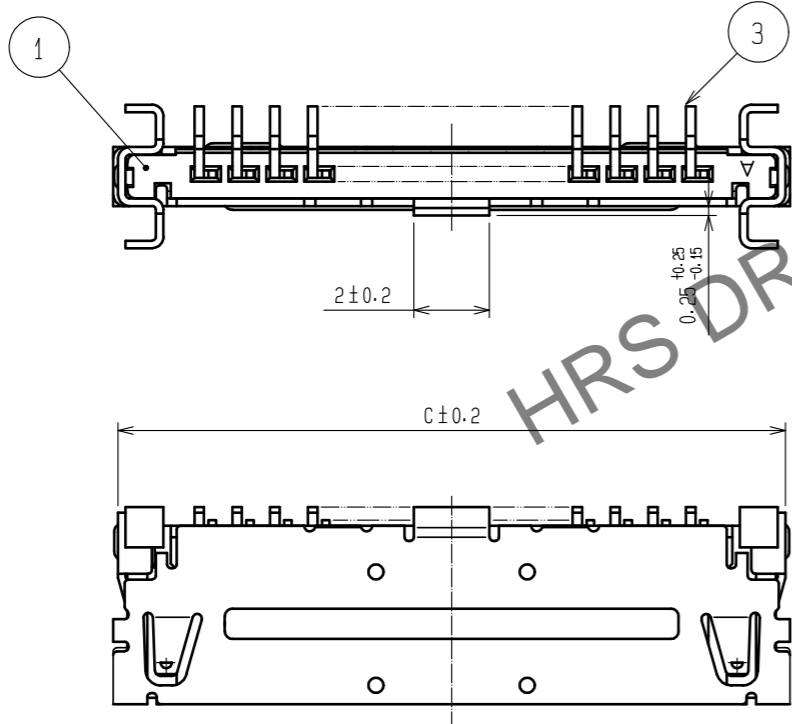
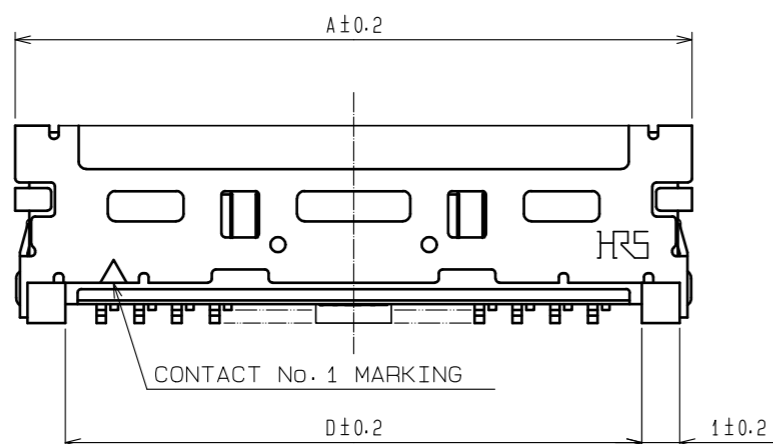
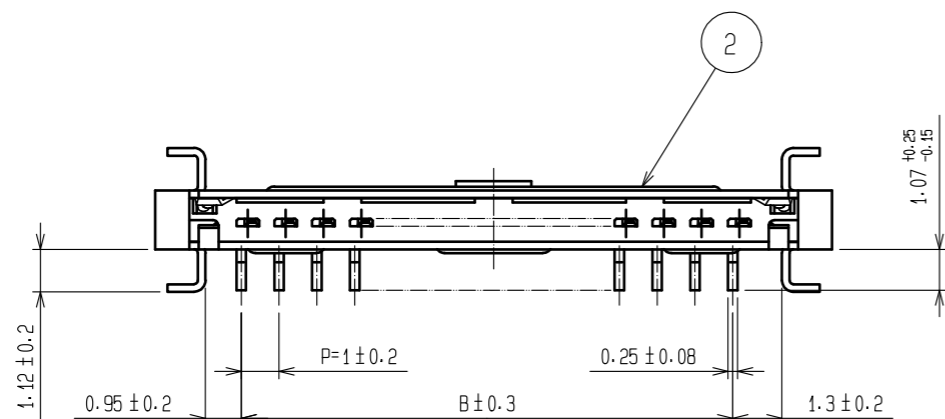


Apr.1.2024 Copyright 2024 HIROSE ELECTRIC CO., LTD. All Rights Reserved.
 In case of consideration for using Automotive equipment / device which demand high reliability, kindly contact our sales window correspondents.



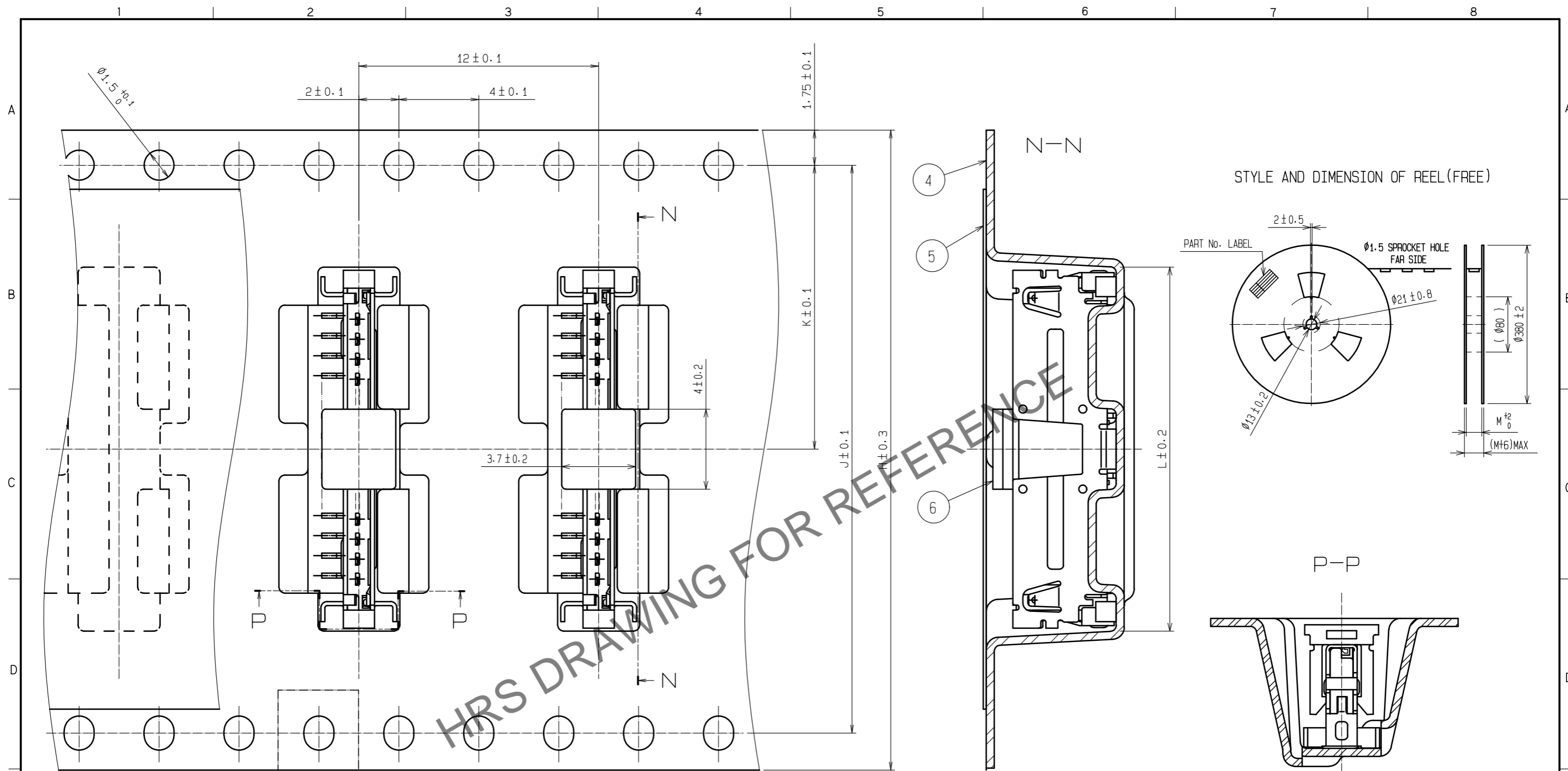
PART No.	CODE No.	NUMBER OF CONTACT	A	B	C	D	E	F	G
DF19-14P-1V(52)	CL685-0036-7-52	14	17.9	13	17.65	15.25	14.95	6.675	6.325
DF19-20P-1V(52)	CL685-0037-0-52	20	23.9	19	23.65	21.25	20.95	9.675	9.325

6	POLYAMIDE	CAP			
5	POLYESTER	COVER TAPE, CLEAR			
4	PS	EMBOSSED CARRIER TAPE, CLEAR			
2	PHOSPHOR BRONZE	SURFACE:TIN PLATED 1#m min UNDER PLATING:NICKEL PLATED 1#m min			
1	POLYAMIDE	NATURAL (BEIGE), UL94V-0			
3	PHOSPHOR BRONZE	CONTACT AREA:GOLD PLATED 0.1#m min LEAD AREA:TIN PLATED 1#m min UNDER PLATING:NICKEL PLATED 1#m min			
NO.	MATERIAL	FINISH . REMARKS	NO.	MATERIAL	FINISH . REMARKS

NOTES 1 :LEAD CO-PLANARITY SHALL BE 0.1mm MAX.
 2 IF THERE IS PATTERN ON PART, THERE IS A POSSIBILITY THAT IT WILL MAKE CONTACT WITH THE METAL SHELL.

UNITS	SCALE	COUNT	DESCRIPTION OF REVISIONS	DESIGNED	CHECKED	DATE
mm	5 : 1	△				
HIROSE ELECTRIC CO., LTD.			APPROVED : HS. OKAWA 20200313 CHECKED : TS. KUMAZAWA 20200313 DESIGNED : HK. HAYASHI 20200313 DRAWN : DS. HIROWATARI 20200306	DRAWING NO. EDC-302813-52-00 PART NO. DF19-**-P-1V(52) CODE NO. CL685-		

Apr.1.2024 Copyright 2024 HIROSE ELECTRIC CO., LTD. All Rights Reserved.
 In case of consideration for using Automotive equipment / device which demand high reliability, kindly contact our sales window correspondents.

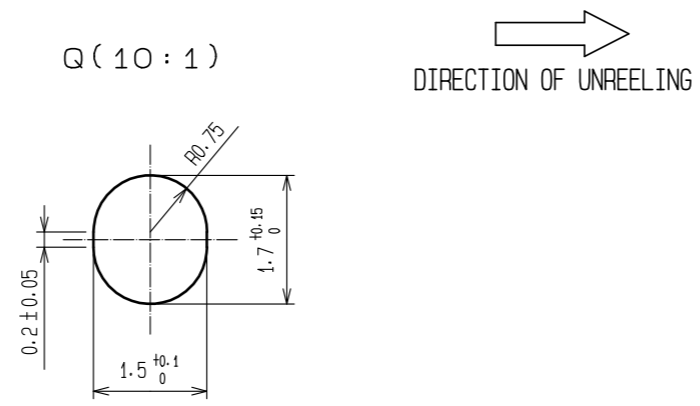


HRS DRAWING FOR REFERENCE

SUPPLIER
 QUANTITY
 PART No.
 CODE No.
 DATE OF MANUFACTURED

5) DETAIL OF PART No. LABEL

生産月日	年 月 日
図番	CL685-****-**-**
品名	DF19-*P-1V(52)
納入数量	1000K0
納入者	ヒロセ電機株式会社



NOTES 3 : 1 REEL 1000 CONNECTORS.
 4 : AT THE BEGINNING OF THE REEL, 30 COMPONENTS SHALL BE EMPTY.
 AT THE END OF THE REEL, 20 COMPONENTS SHALL BE EMPTY.
 5) DETAIL OF PART No. LABEL IS WRITTEN IN JAPANESE.

PART No.	CODE No.	NUMBER OF CONTACT	H	J	K	L	M
DF19-14P-1V(52)	CL685-0036-7-52	14	32	28.4	14.2	18.2	32.4
DF19-20P-1H(52)	CL685-0037-0-52	20	44	40.4	20.2	24.2	44.4

HRS	DRAWING NO.	EDC-302813-52-00
	PART NO.	DF19-**P-1V(52)
	CODE NO.	CL685-