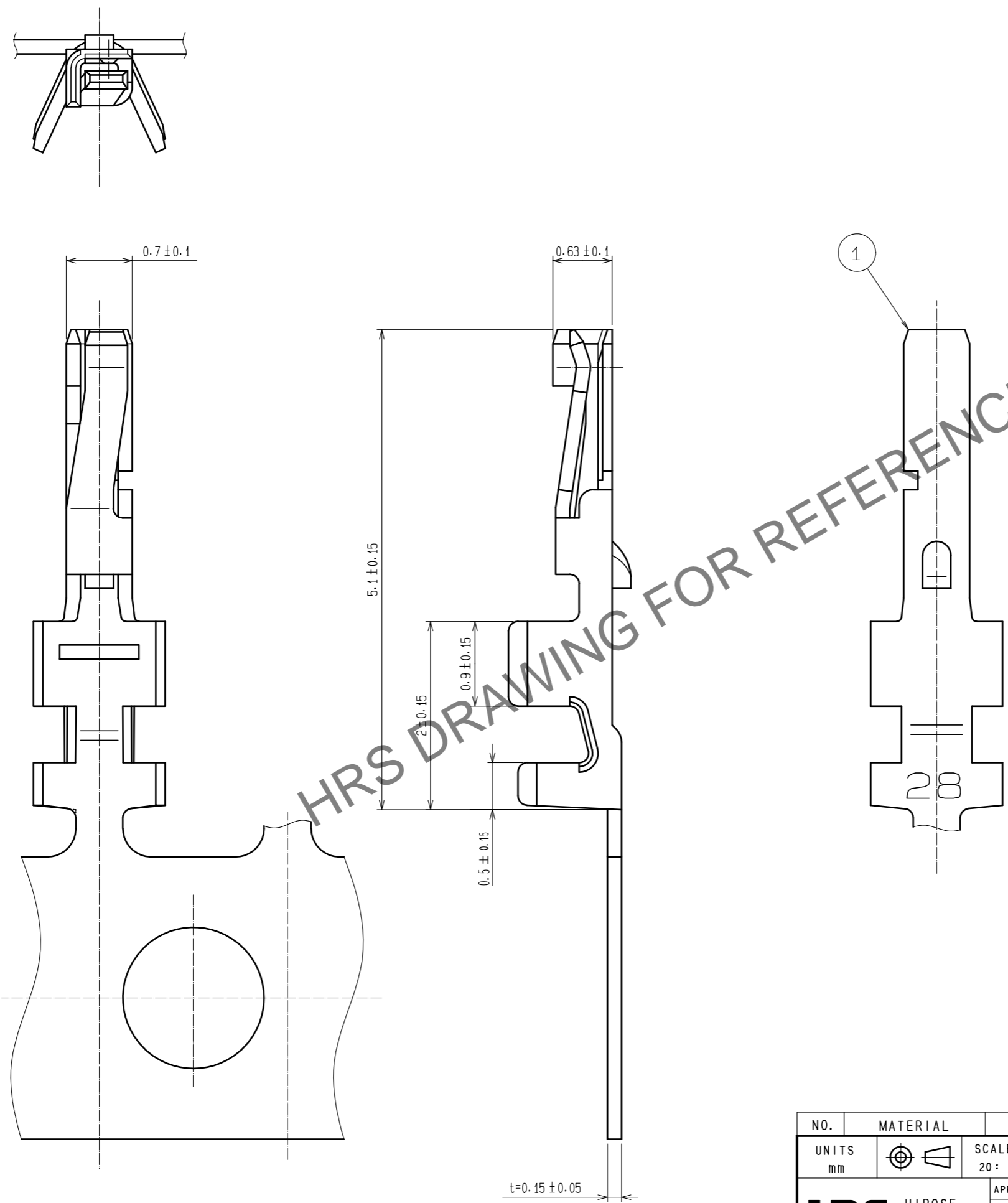


Apr.1.2024 Copyright 2024 HIROSE ELECTRIC CO., LTD. All Rights Reserved.
 In case of consideration for using Automotive equipment / device which demand high reliability, kindly contact our sales window correspondents.



Note 1. Per Reel : 20000 Contacts.

NO.		MATERIAL		FINISH . REMARKS		NO.		MATERIAL		FINISH . REMARKS					
UNITS mm				SCALE 20 : 1		COUNT 		DESCRIPTION OF REVISIONS		DESIGNED		CHECKED		DATE	
HRS		HIROSE ELECTRIC CO., LTD.		APPROVED : HS. OKAWA		20181214		DRAWING NO.		EDC-302549-41-00					
				CHECKED : SZ. ONO		20181214		PART NO.		DF19A-2830SCFA(41)					
				DESIGNED : SN. MIWA		20181214		CODE NO.		CL685-0048-6-41					
				DRAWN : SN. MIWA		20181214								1/1	