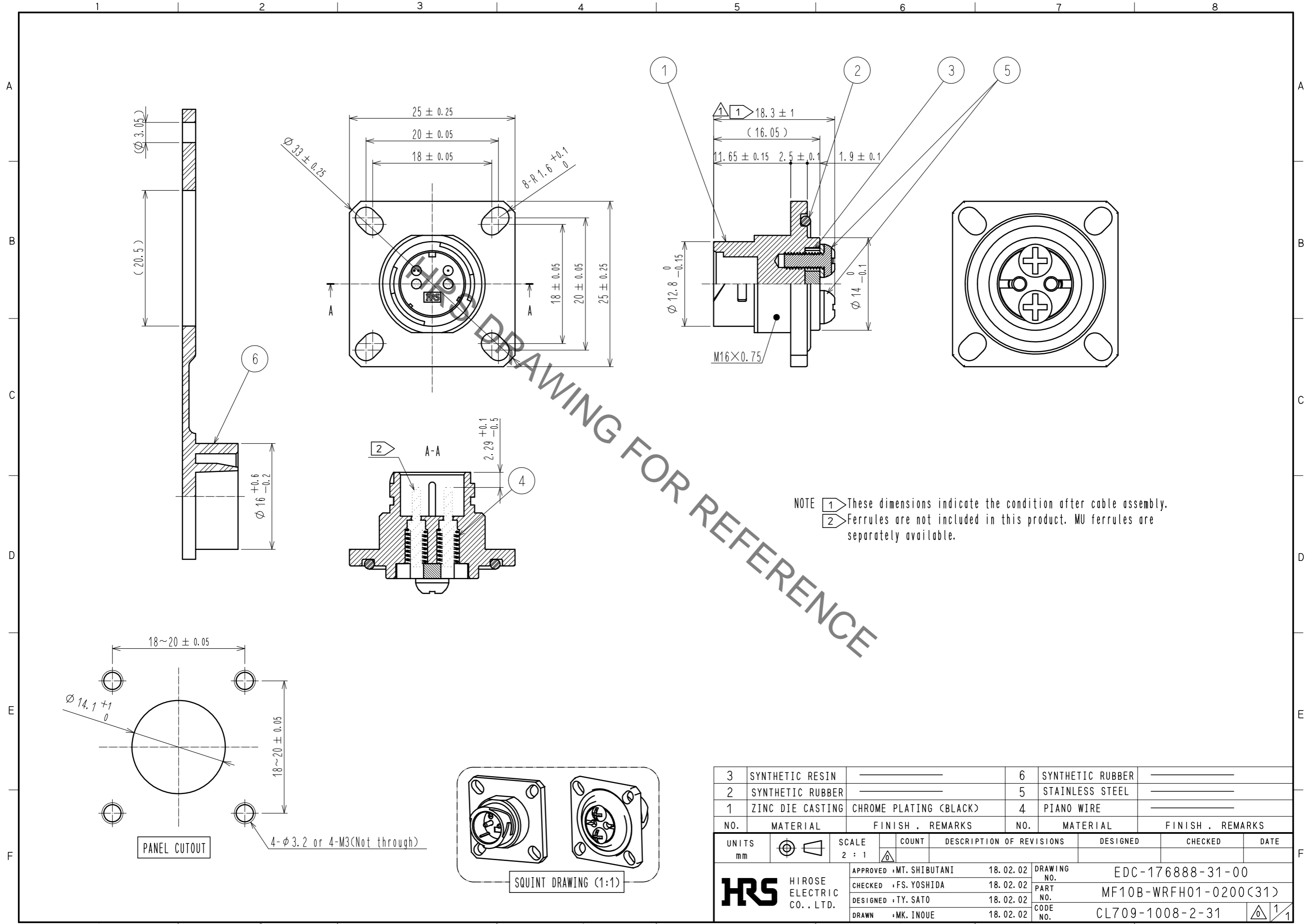


Aug.1.2022 Copyright 2022 HIROSE ELECTRIC CO., LTD. All Rights Reserved.
 In case of consideration for using Automotive equipment / device which demand high reliability, kindly contact our sales window correspondents.



DRAWING FOR REFERENCE

NOTE 1 These dimensions indicate the condition after cable assembly.
 2 Ferrules are not included in this product. MU ferrules are separately available.

3	SYNTHETIC RESIN		6	SYNTHETIC RUBBER			
2	SYNTHETIC RUBBER		5	STAINLESS STEEL			
1	ZINC DIE CASTING	CHROME PLATING (BLACK)	4	PIANO WIRE			
NO.	MATERIAL	FINISH . REMARKS	NO.	MATERIAL	FINISH . REMARKS		
UNITS		SCALE	COUNT	DESCRIPTION OF REVISIONS	DESIGNED	CHECKED	DATE
mm		2 : 1					
HRS HIROSE ELECTRIC CO., LTD.		APPROVED : MT. SHIBUTANI	18.02.02	DRAWING NO. EDC-176888-31-00			
		CHECKED : FS. YOSHIDA	18.02.02	PART NO. MF10B-WRFH01-0200(31)			
		DESIGNED : TY. SATO	18.02.02	CODE NO. CL709-1008-2-31			
		DRAWN : MK. INOUE	18.02.02			1/1	