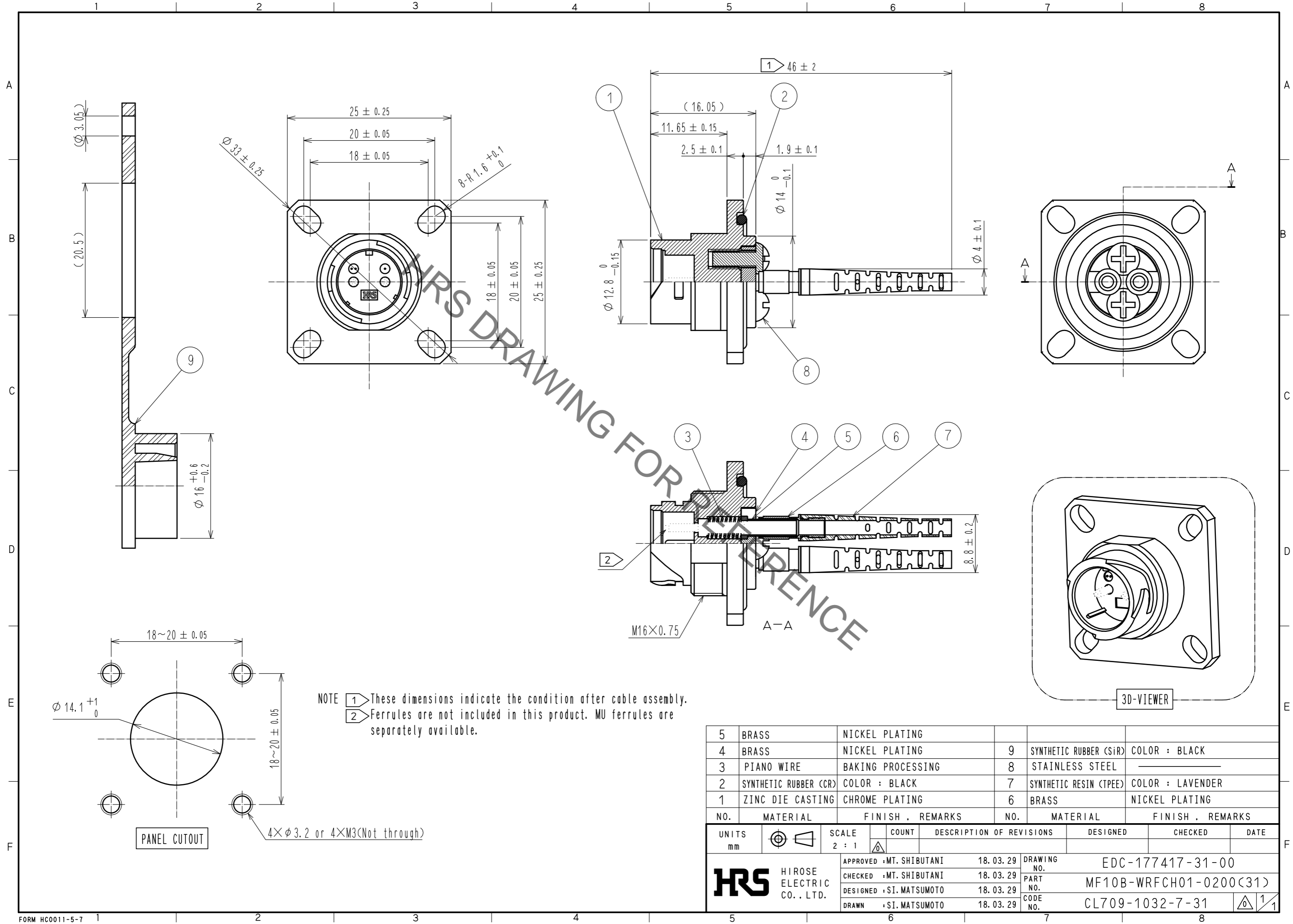


Aug.1.2022 Copyright 2022 HIROSE ELECTRIC CO., LTD. All Rights Reserved.
 In case of consideration for using Automotive equipment / device which demand high reliability, kindly contact our sales window correspondents.



NOTE 1 These dimensions indicate the condition after cable assembly.
 2 Ferrules are not included in this product. MU ferrules are separately available.

5	BRASS	NICKEL PLATING			
4	BRASS	NICKEL PLATING	9	SYNTHETIC RUBBER (SIR)	COLOR : BLACK
3	PIANO WIRE	BAKING PROCESSING	8	STAINLESS STEEL	
2	SYNTHETIC RUBBER (CR)	COLOR : BLACK	7	SYNTHETIC RESIN (TPEE)	COLOR : LAVENDER
1	ZINC DIE CASTING	CHROME PLATING	6	BRASS	NICKEL PLATING
NO.	MATERIAL	FINISH . REMARKS	NO.	MATERIAL	FINISH . REMARKS

UNITS mm		SCALE 2 : 1	COUNT 	DESCRIPTION OF REVISIONS	DESIGNED	CHECKED	DATE
HRS HIROSE ELECTRIC CO., LTD.		APPROVED : MT. SHIBUTANI	18.03.29	DRAWING NO.	EDC-177417-31-00		
		CHECKED : MT. SHIBUTANI	18.03.29	PART NO.	MF10B-WRFCH01-0200(31)		
		DESIGNED : SI. MATSUMOTO	18.03.29	CODE NO.	CL709-1032-7-31		
		DRAWN : SI. MATSUMOTO	18.03.29				