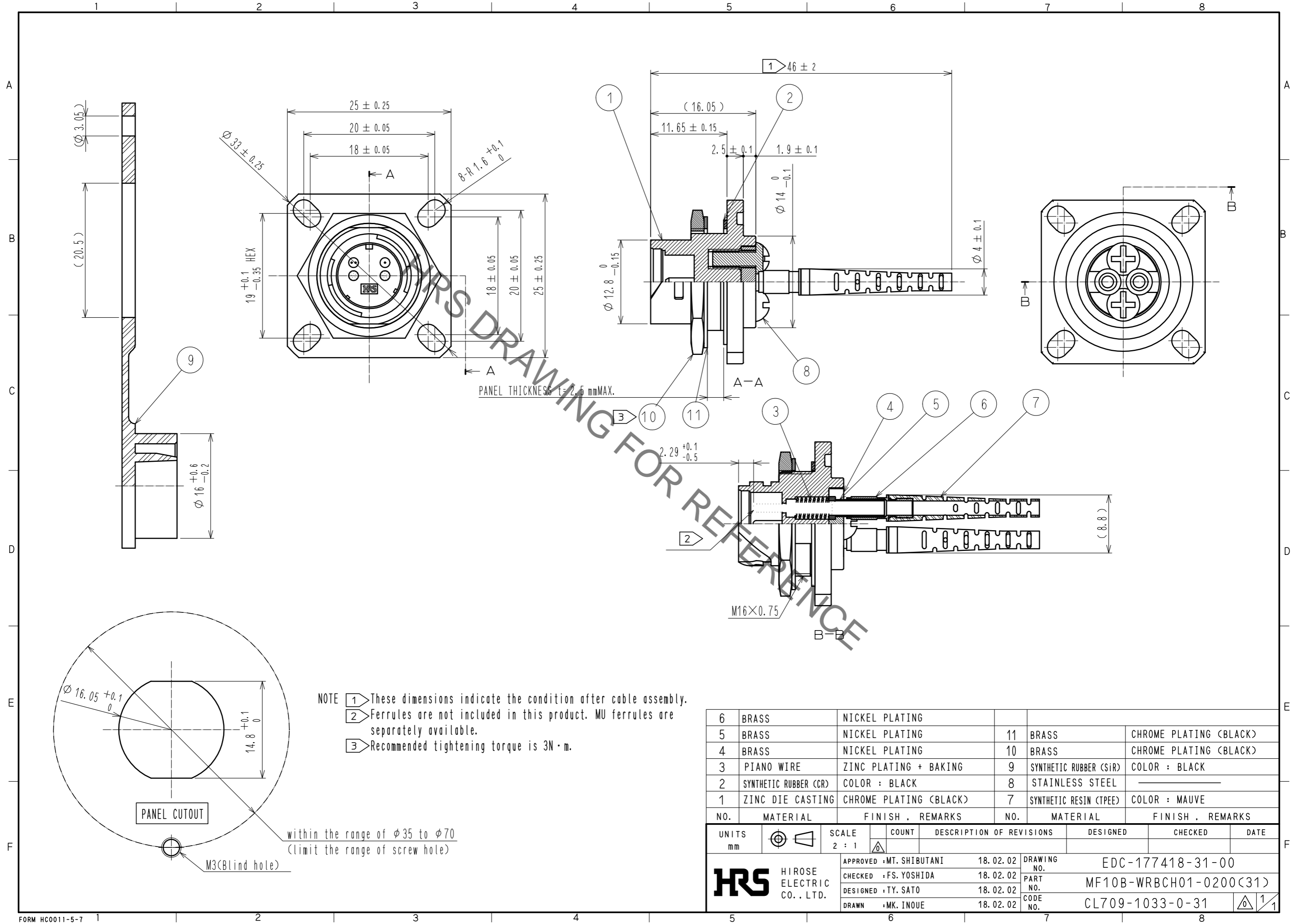


May.1.2022 Copyright 2022 HIROSE ELECTRIC CO., LTD. All Rights Reserved.
 In case of consideration for using Automotive equipment / device which demand high reliability, kindly contact our sales window correspondents.



NOTE

- ① These dimensions indicate the condition after cable assembly.
- ② Ferrules are not included in this product. MU ferrules are separately available.
- ③ Recommended tightening torque is 3N·m.

6	BRASS	NICKEL PLATING			
5	BRASS	NICKEL PLATING	11	BRASS	CHROME PLATING (BLACK)
4	BRASS	NICKEL PLATING	10	BRASS	CHROME PLATING (BLACK)
3	PIANO WIRE	ZINC PLATING + BAKING	9	SYNTHETIC RUBBER (SIR)	COLOR : BLACK
2	SYNTHETIC RUBBER (CR)	COLOR : BLACK	8	STAINLESS STEEL	
1	ZINC DIE CASTING	CHROME PLATING (BLACK)	7	SYNTHETIC RESIN (TPEE)	COLOR : MAUVE
NO.	MATERIAL	FINISH . REMARKS	NO.	MATERIAL	FINISH . REMARKS

UNITS	SCALE	COUNT	DESCRIPTION OF REVISIONS	DESIGNED	CHECKED	DATE
mm	2 : 1	△				
HIROSE ELECTRIC CO., LTD.			APPROVED : MT. SHIBUTANI 18.02.02 CHECKED : FS. YOSHIDA 18.02.02 DESIGNED : TY. SATO 18.02.02 DRAWN : MK. INOUE 18.02.02	DRAWING NO. EDC-177418-31-00 PART NO. MF10B-WRBC01-0200(31) CODE NO. CL709-1033-0-31		