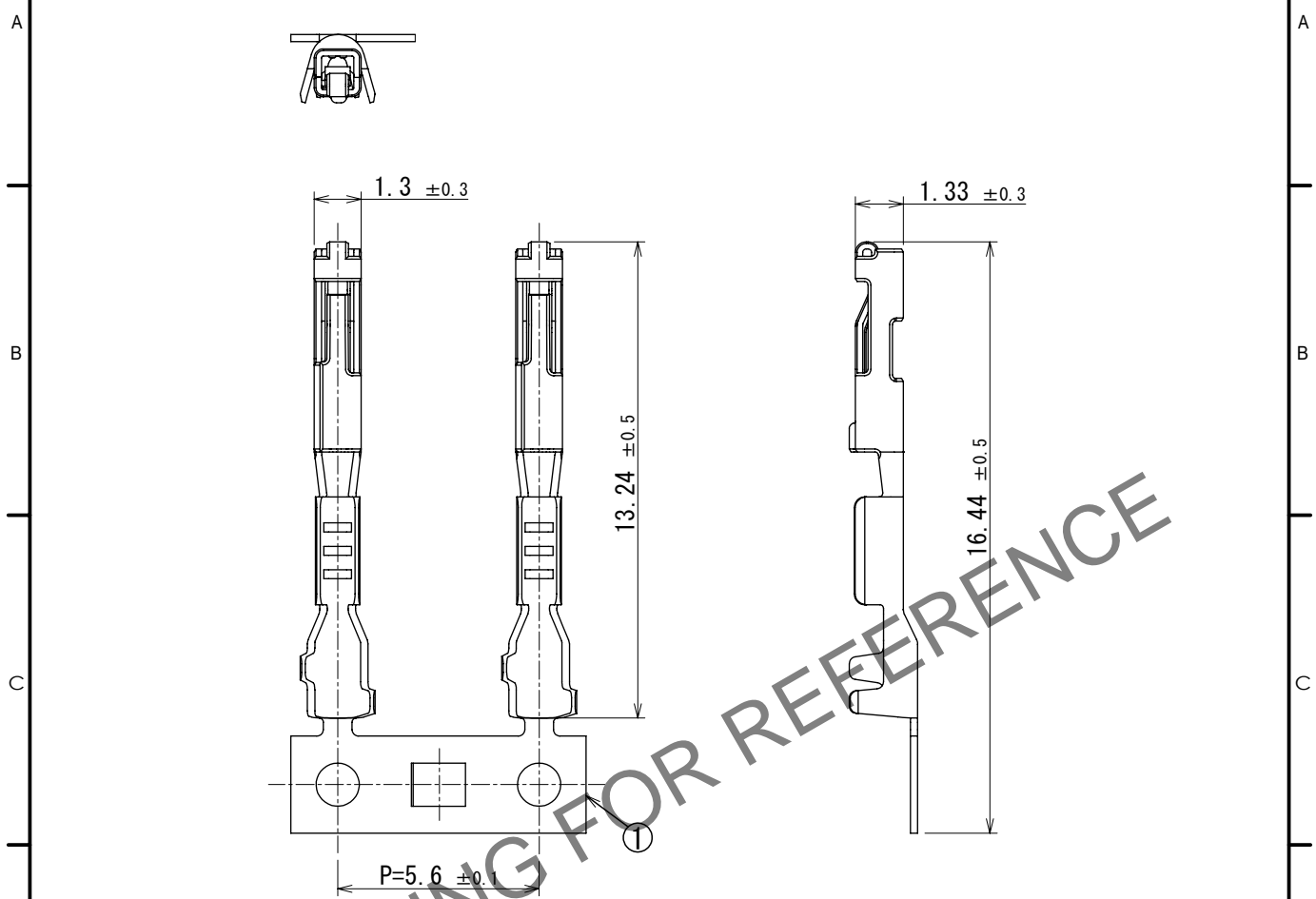
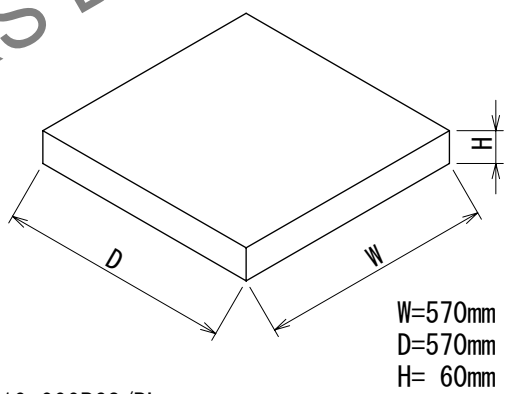


Dec.1.2024 Copyright 2024 HIROSE ELECTRIC CO., LTD. All Rights Reserved.
 In case of consideration for using Automotive equipment / device which demand high reliability, kindly contact our sales window correspondents.

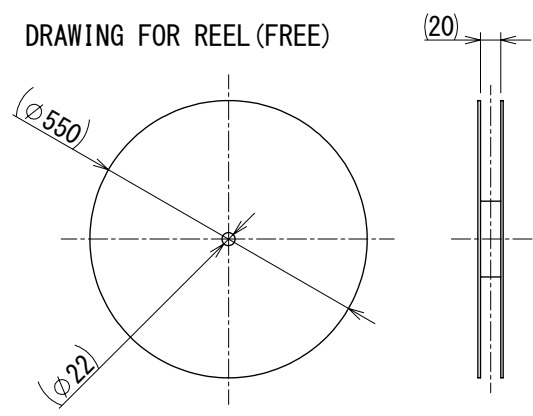
ELV, RoHS COMPLIANT



PACKING STYLE (FREE)



DRAWING FOR REEL (FREE)



Note 1. 10,000PCS/RL
 2. REGARDING HOW TO HANDLE THE PACKAGED PRODUCTS, PLEASE REFER TO THE ATAD-T0946-00 「INSTRUCTION MANUAL FOR HANDLING OF REEL PACKAGING CONTAINING CRIMP TERMINALS」

| 1 | COPPER ALLOY | SURFACE : TIN PLATING 1 μm min |
|-----|--------------|-----------------------------------|
| | | UNDER : COPPER PLATING 0.3 μm min |
| NO. | MATERIAL | FINISH , REMARKS |

| UNITS mm | | SCALE 5:1 | COUNT | DESCRIPTION OF REVISIONS | DESIGNED | CHECKED | DATE |
|-------------|--|--------------|-------|--------------------------|----------|---------|------|
| | | | | | | | |



| | |
|--------------------------|--------------|
| APPROVED : HH. TSUKUMO | 2024. 03. 27 |
| CHECKED : HH. TSUKUMO | 2024. 03. 27 |
| DESIGNED : AS. SHIBAHARA | 2024. 03. 27 |
| DRAWN : AS. SHIBAHARA | 2024. 03. 27 |

| | |
|-------------|------------------|
| DRAWING NO. | EDC-404202-00-00 |
| PART NO. | ZE05-2426SCF |
| CODE NO. | CL0752-2009-0-00 |

