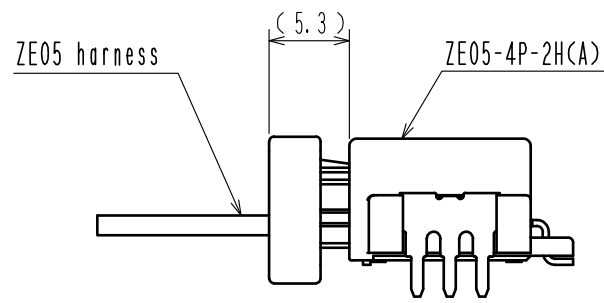
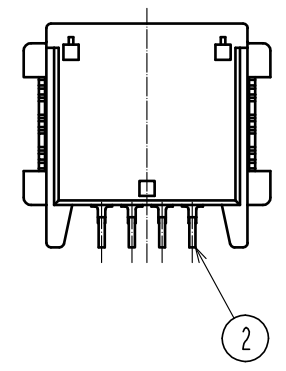
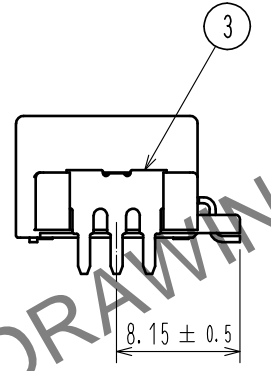
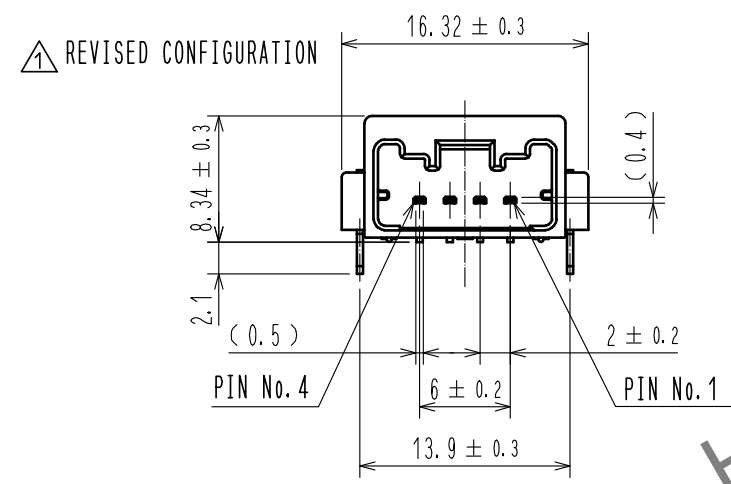
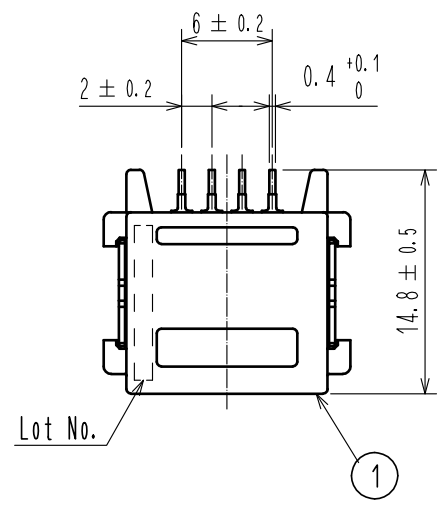
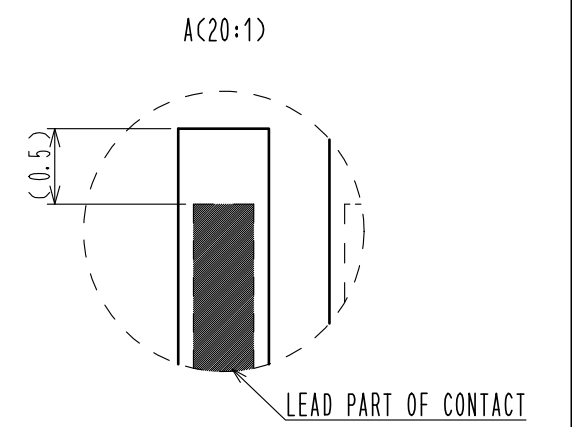
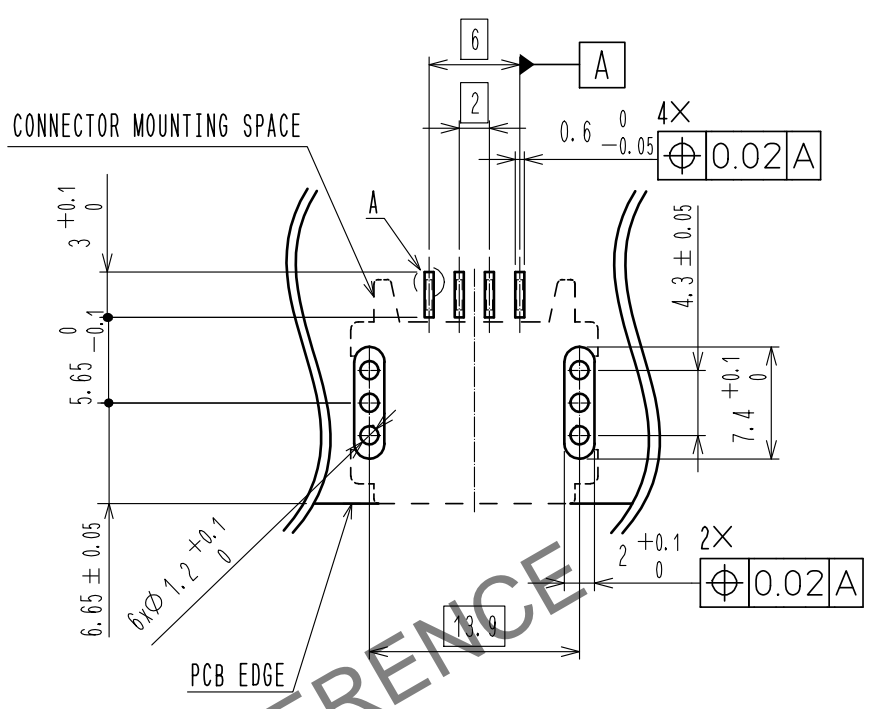


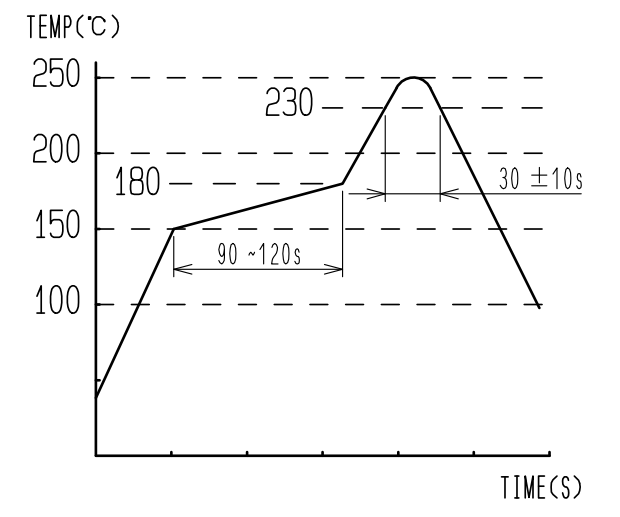
ELV, RoHS COMPLIANT



RECOMMENDED PCB PATTERN



- NOTE 1. RECOMMENDED TEMPERATURE PROFILE FOR REFLOW (REFER TO RIGHT FIG.)
 USED REFLOW SYSTEM : IR IN THE AIR OR NITROGEN
 NO. OF CYCLES : 2 MAX
 PEAK : 250°C
 OVER 230°C : 20~40s
 PREHEAT : 150~180°C
 90~120s
2. TEMPERATURE FOR SOLDERING IRON : 280~300°C WITHIN 2s
3. CO-PLANARITY SHALL BE 0.1mm MAX.
4. RECOMMENDED PCB THICKNESS IS 1.6mm.
5. RECOMMENDED SOLDER THICKNESS IS 0.15mm.



2	BRASS	SURFACE PLATING : TIN PLATING 1µm min UNDER PLATING : NICKEL 1µm min	5	POLYESTER			
1	PA	GRAY UL94V-0	4	POLYSTYRENE			
			3	BRASS	SURFACE PLATING : TIN PLATING 1µm min UNDER PLATING : NICKEL 1µm min		
NO.	MATERIAL	FINISH . REMARKS	NO.	MATERIAL	FINISH . REMARKS		
UNITS mm	⊕	SCALE 2 : 1	COUNT 1	DESCRIPTION OF REVISIONS DIS-T-00006235	DESIGNED YH.MAMADA	CHECKED HH.TSUKUMO	DATE 20200610
HRS HIROSE ELECTRIC CO., LTD.		APPROVED : HK. UMEHARA 20190607	DRAWING NO. EDC-387375-00-00				
		CHECKED : HK. UMEHARA 20190607	PART NO. ZE05-4P-2H(A)				
		DESIGNED : YH. MAMADA 20190607	CODE NO. CL752-2128-0-00				
		DRAWN : MINTAE KANG 20190607					

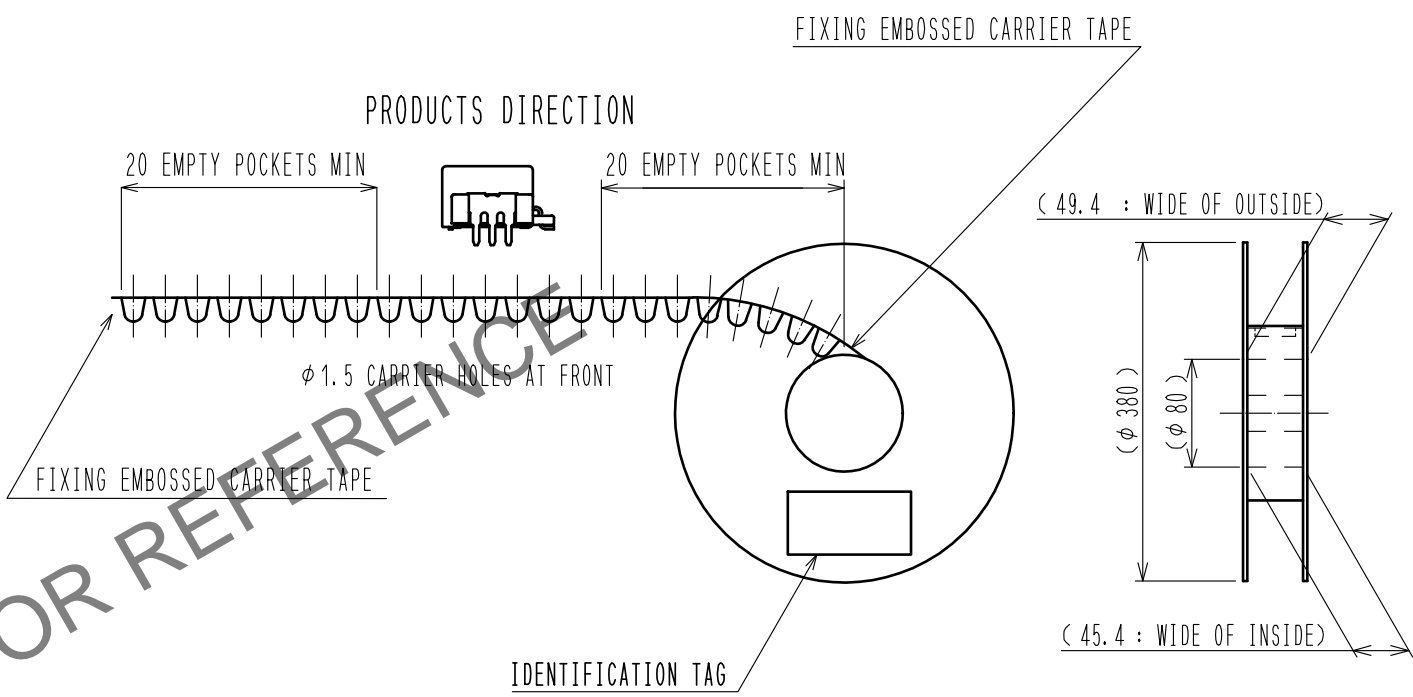
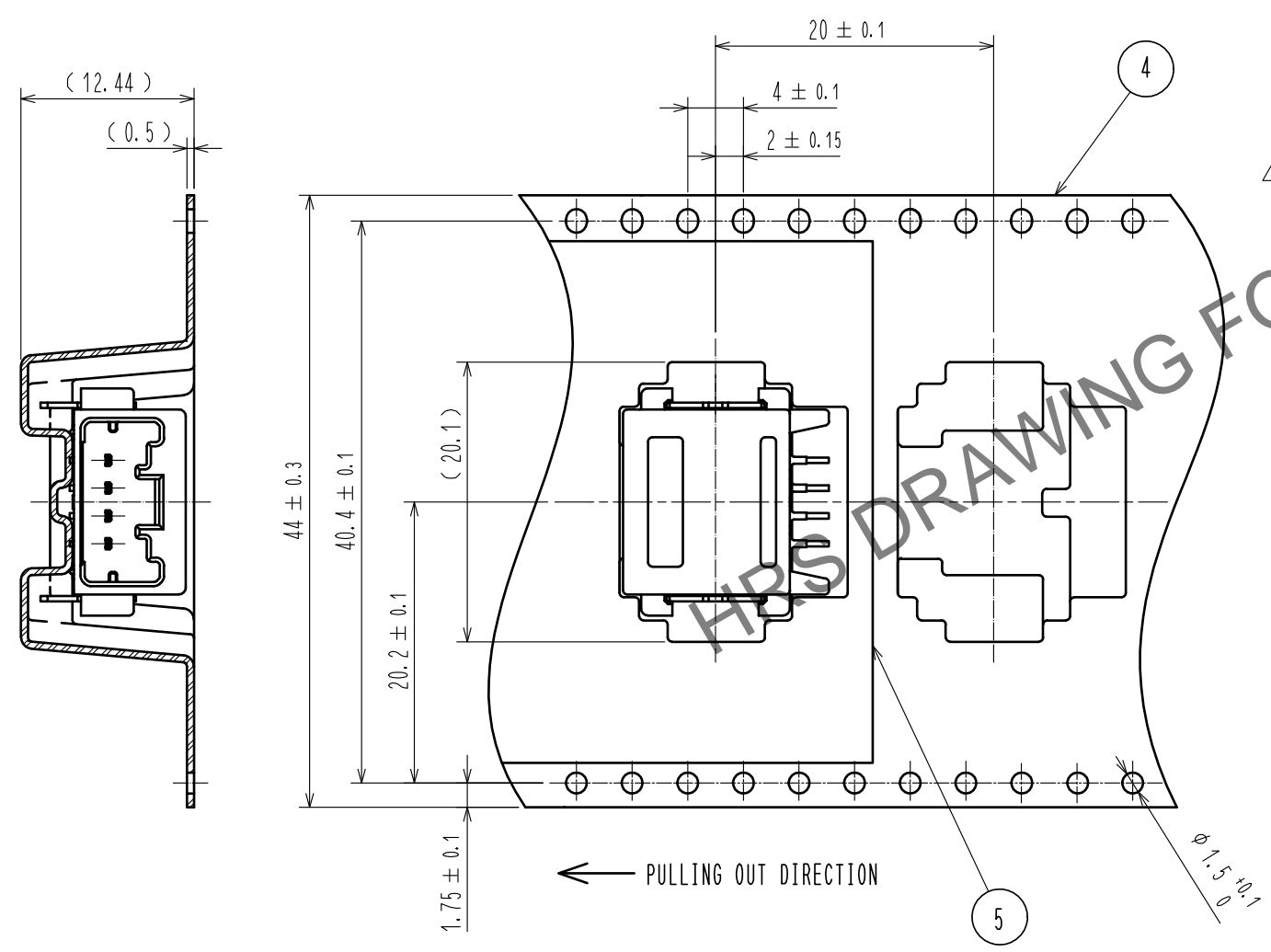
Nov.1.2024 Copyright 2024 HIROSE ELECTRIC CO., LTD. All Rights Reserved. In case of consideration for using Automotive equipment / device which demand high reliability, kindly contact our sales window correspondents.

Nov.1.2024 Copyright 2024 HIROSE ELECTRIC CO., LTD. All Rights Reserved.
 In case of consideration for using Automotive equipment / device which demand high reliability, kindly contact our sales window correspondents.

PACKING STYLE

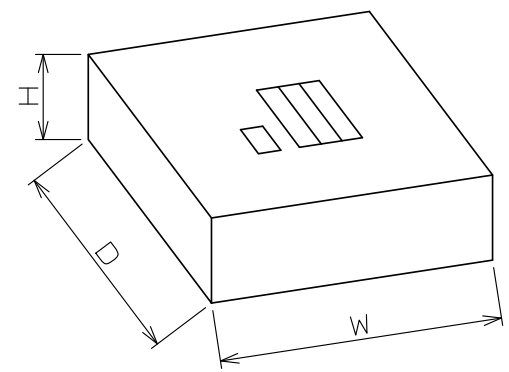
REEL DIMENSION (FREE)

PACKING STYLE DRAWING



CARDBOARD DIMENSION (FREE)

W=(405) (mm)
 D=(405) (mm)
 H=(51) (mm)



HRS	DRAWING NO.	EDC-387375-00-00	
	PART NO.	ZE05-4P-2H(A)	
	CODE NO.	CL752-2128-0-00	