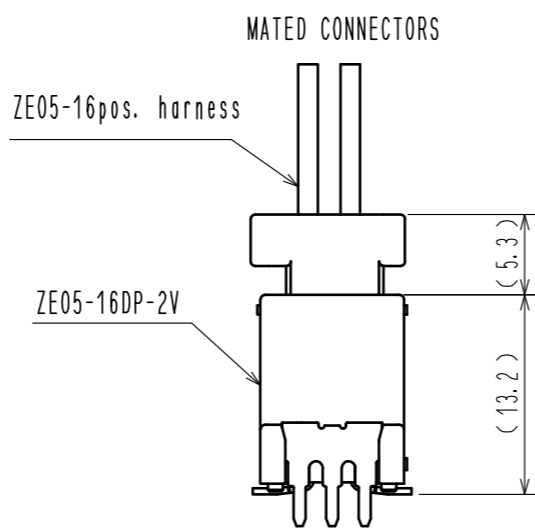
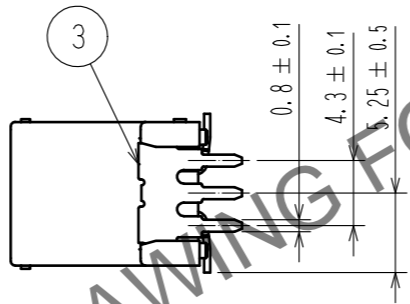
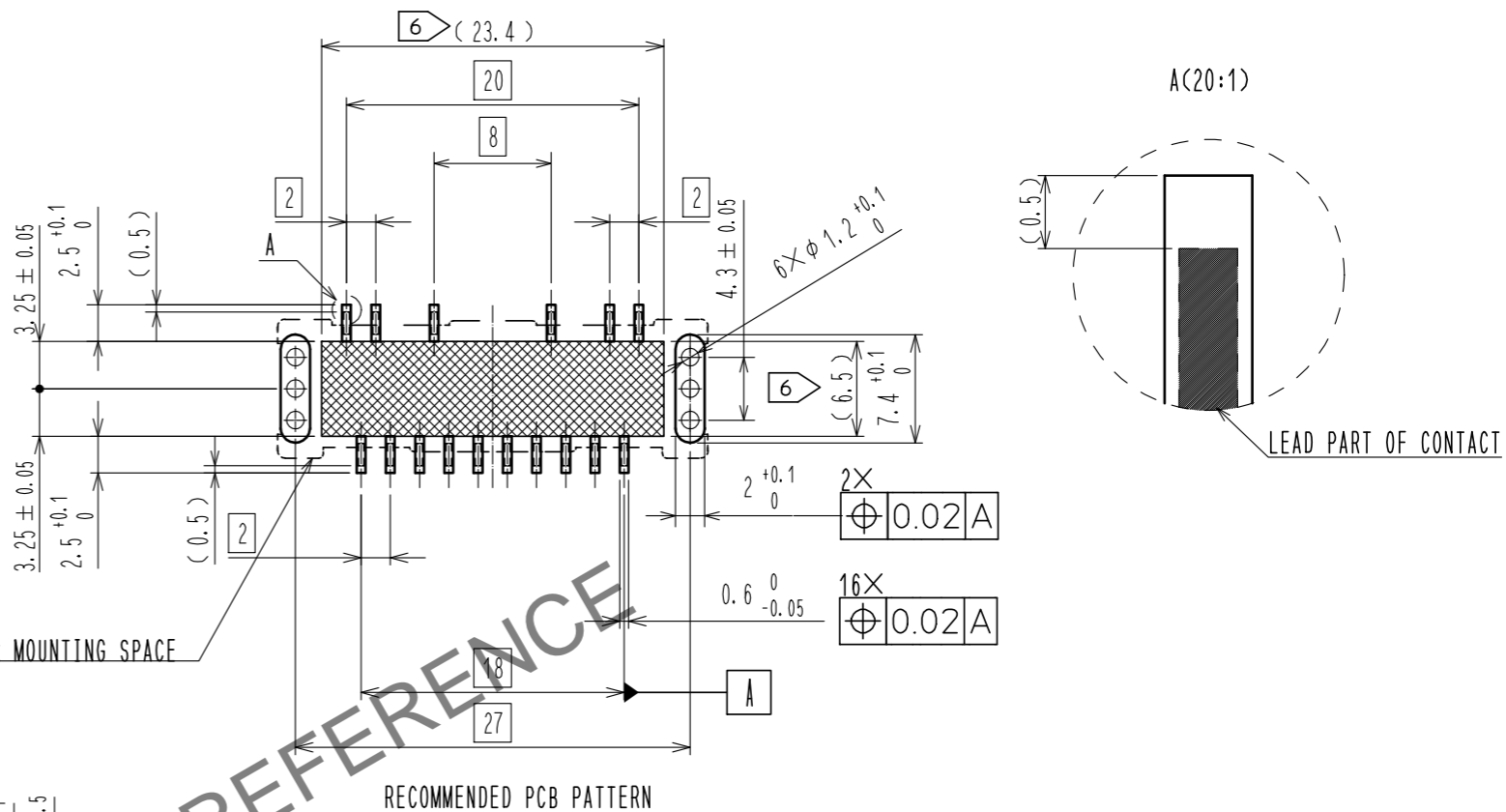
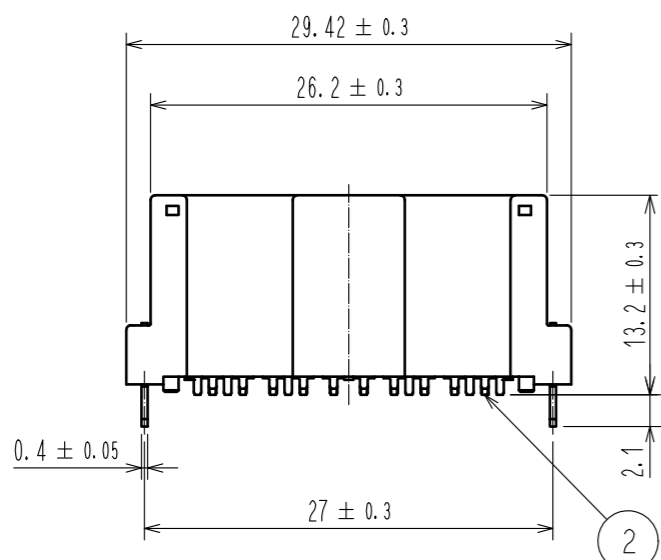
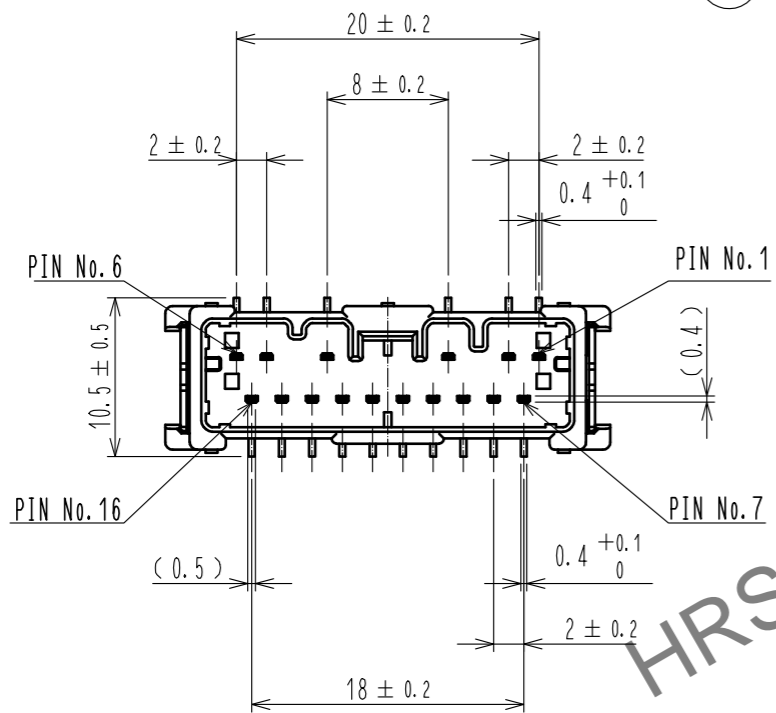
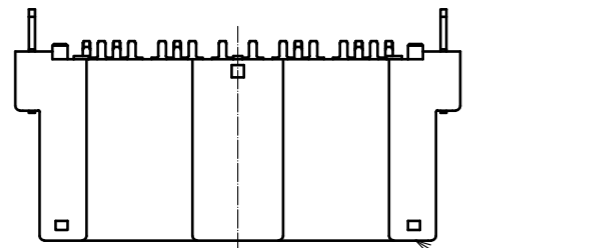
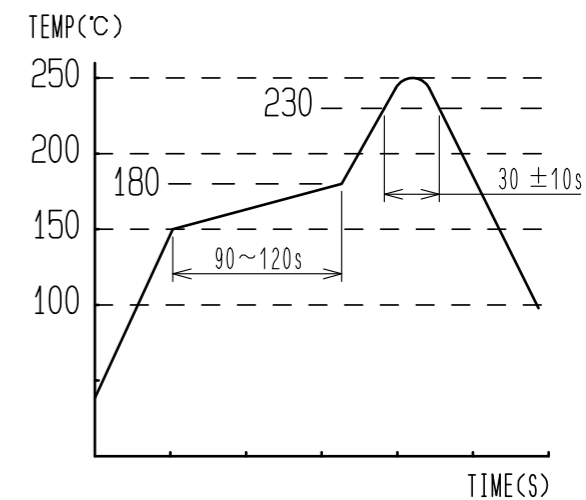


ELV, RoHS COMPLIANT



- NOTE 1. RECOMMENDED TEMPERATURE PROFILE FOR REFLOW (REFER TO RIGHT FIG.) USED REFLOW SYSTEM
- : IR IN THE AIR OR NITROGEN
 - NO. OF CYCLES : 2 MAX
 - PEAK : 250°C
 - OVER 230°C : 20~40s
 - PREHEAT : 150~180°C
 - 90~120s
2. TEMPERATURE FOR SOLDERING IRON : 280~300°C WITHIN 2s
3. CO-PLANARITY SHALL BE 0.1mm MAX.
4. RECOMMENDED PCB THICKNESS IS 1.6mm.
5. RECOMMENDED SOLDER THICKNESS IS 0.15mm.
- 6 : Pattern prohibited area



2	BRASS	SURFACE PLATING : TIN PLATING 1μm min UNDER PLATING : NICKEL 1μm min	6	POLYESTER			
1	PA	BLACK	5	POLYSTYRENE			
			4	POLYIMIDE	PICK & PLACE TAPE		
			3	BRASS	SURFACE PLATING : TIN PLATING 1μm min UNDER PLATING : NICKEL 1μm min		
NO.	MATERIAL	FINISH . REMARKS	NO.	MATERIAL	FINISH . REMARKS		
UNITS mm		SCALE 2 : 1	COUNT 2	DESCRIPTION OF REVISIONS DIS-T-00018585	DESIGNED TY. IKEDA	CHECKED TY. MOGI	DATE 20230711
HRS HIROSE ELECTRIC CO., LTD.		APPROVED : HH. TSUKUMO	20200804	DRAWING NO. EDC-368649-00-00			
		CHECKED : HH. TSUKUMO	20200804	PART NO. ZE05-16DP-2V			
		DESIGNED : YH. MAMADA	20200804	CODE NO. CL0752-2305-0-00			
		DRAWN : YH. MAMADA	20200804	1/2			

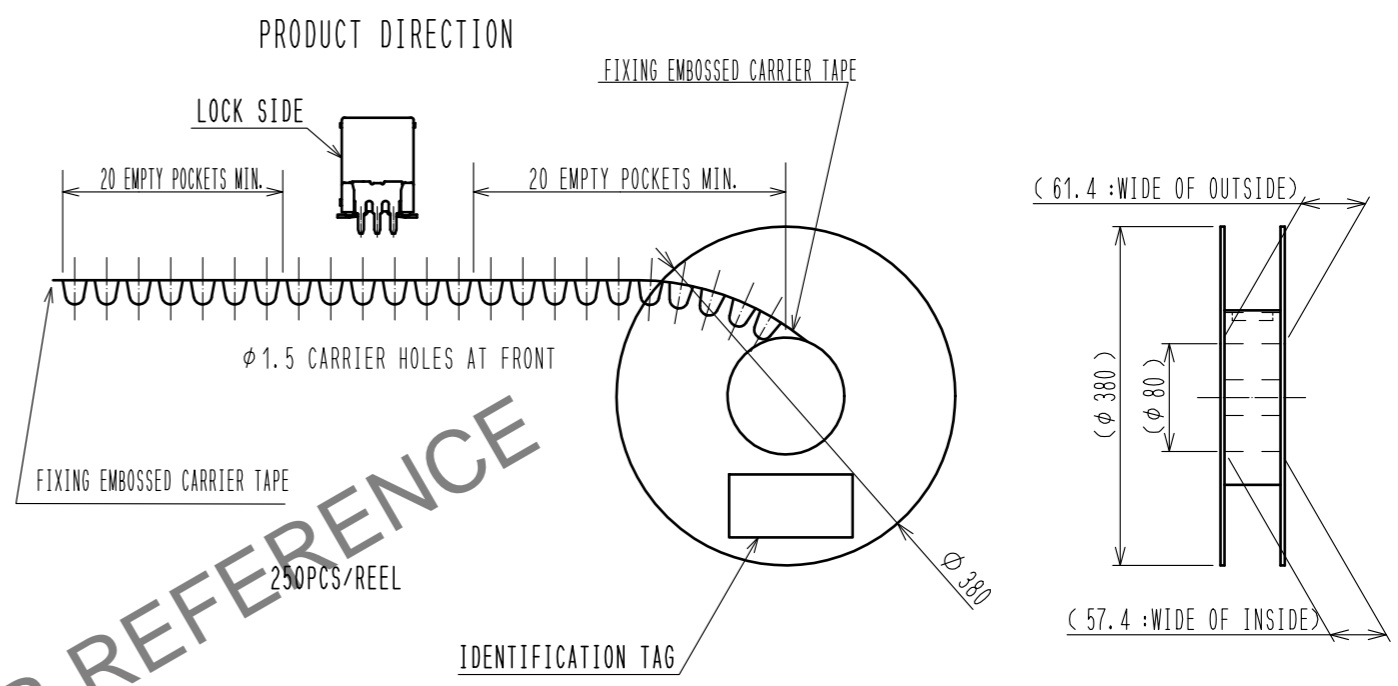
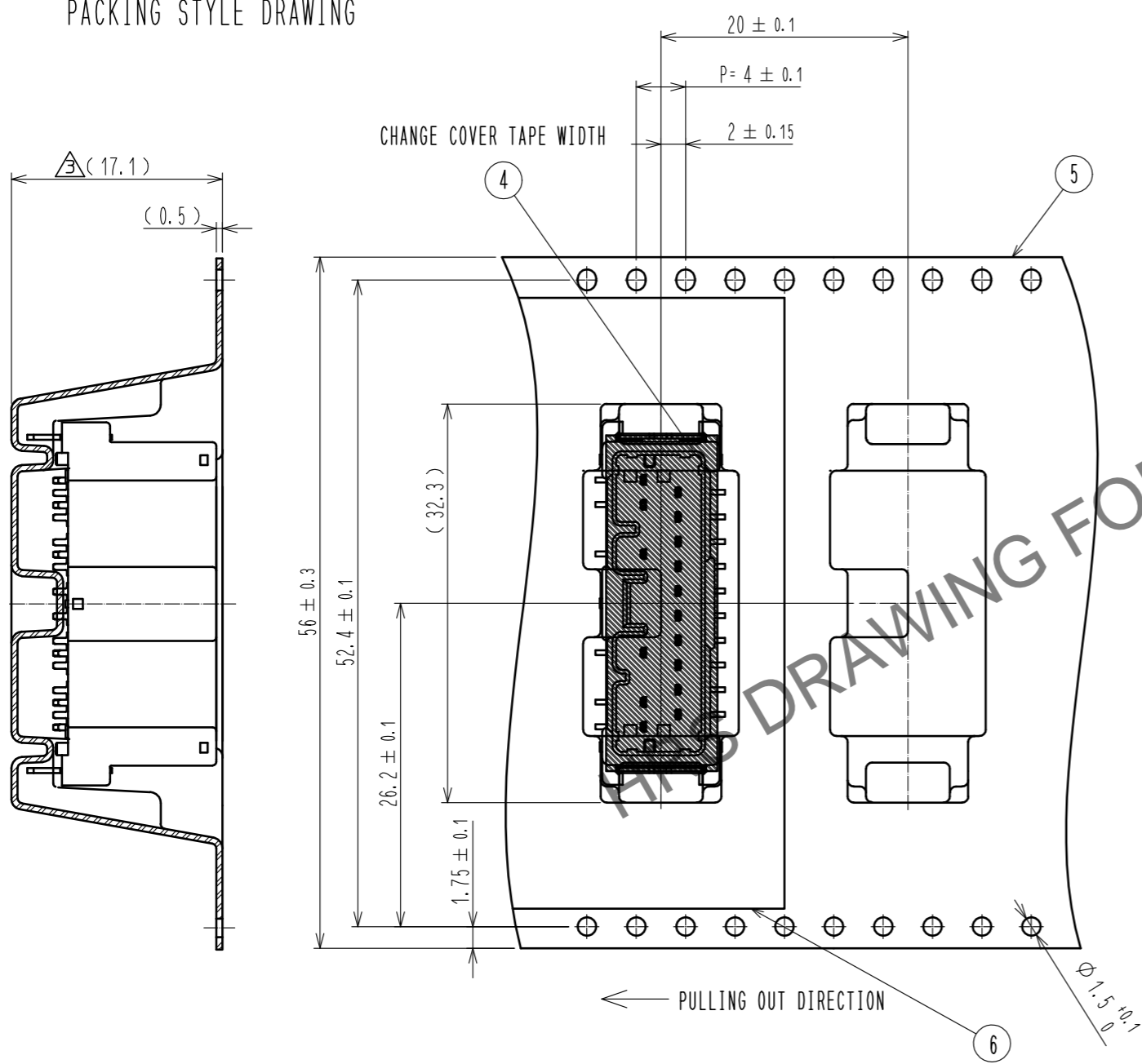
Aug.1.2024 Copyright 2024 HIROSE ELECTRIC CO., LTD. All Rights Reserved. In case of consideration for using Automotive equipment / device which demand high reliability, kindly contact our sales window correspondents.

Aug.1.2024 Copyright 2024 HIROSE ELECTRIC CO., LTD. All Rights Reserved.
 In case of consideration for using Automotive equipment / device which demand high reliability, kindly contact our sales window correspondents.

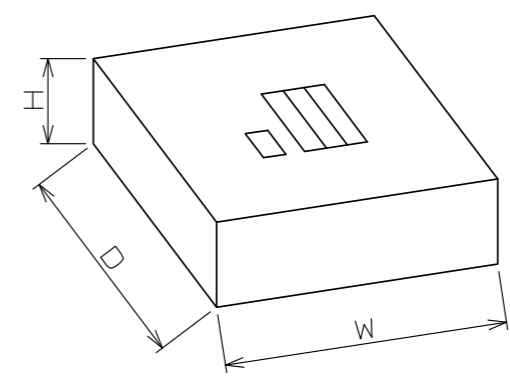
PACKING STYLE

REEL DIMENSION(FREE)

PACKING STYLE DRAWING



△ CARDBOARD DIMENSION(FREE)



BOX SIZE
 W=(405) (mm)
 D=(405) (mm)
 H=(63) (mm)

HRS	DRAWING NO.	EDC-368649-00-00	3/2
	PART NO.	ZE05-16DP-2V	
	CODE NO.	CL0752-2305-0-00	