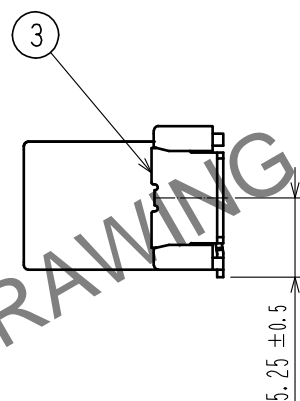
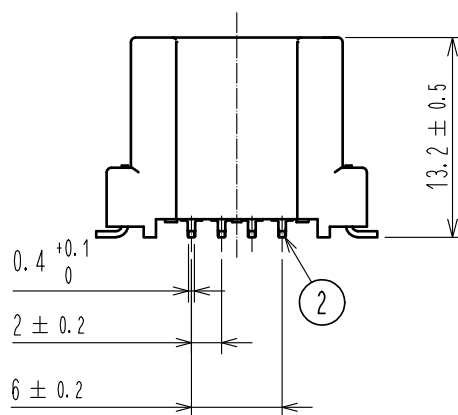
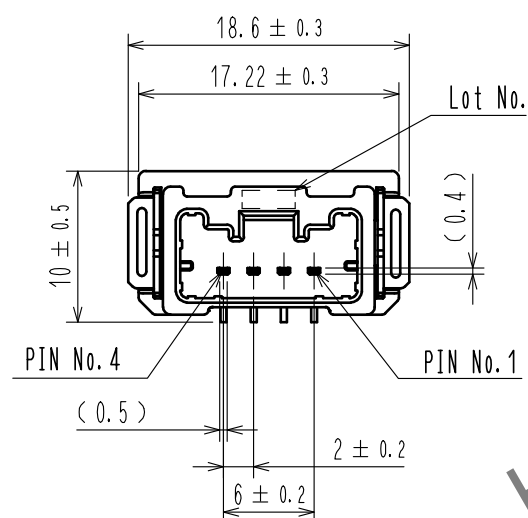
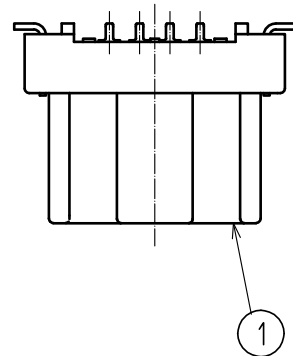
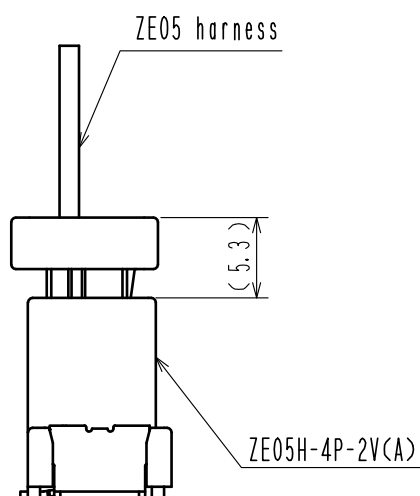


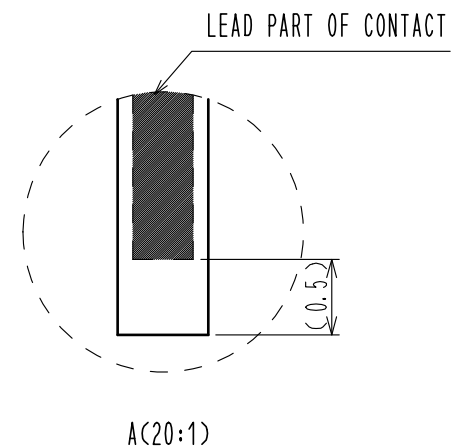
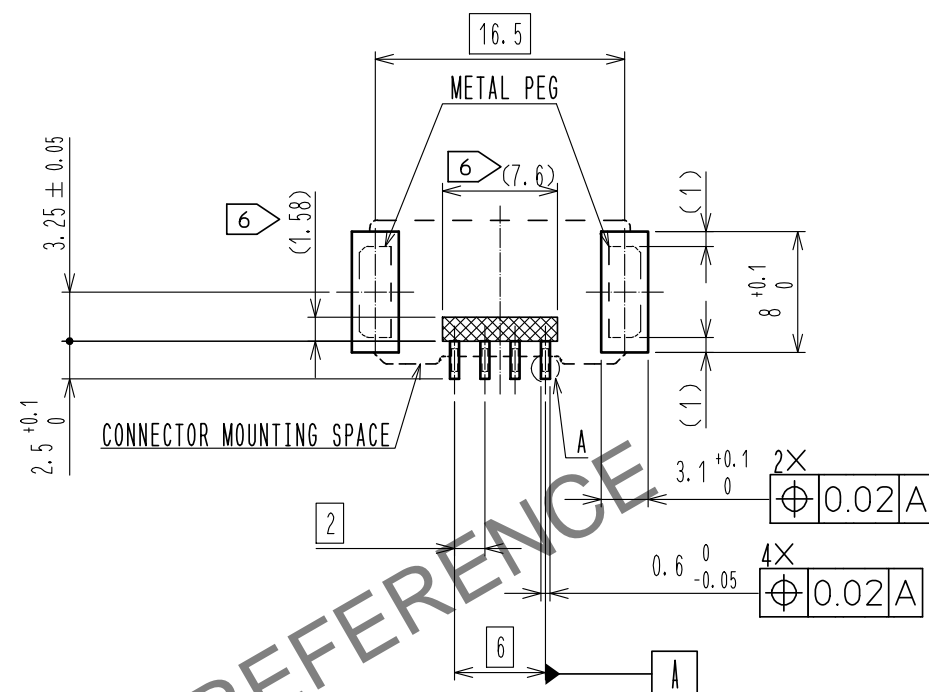
ELV, ROHS COMPLIANT



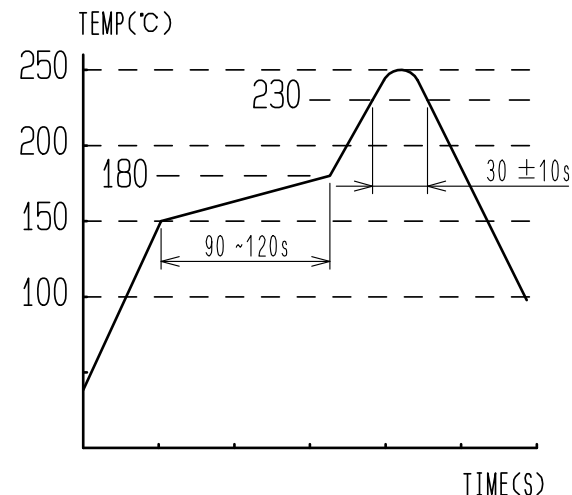
MATED CONNECTORS



RECOMMENDED PCB PATTERN



- NOTE 1. RECOMMENDED TEMPERATURE PROFILE FOR REFLOW (REFER TO RIGHT FIG.) USED REFLOW SYSTEM
 : IR IN THE AIR OR NITROGEN
 NO. OF CYCLES : 2 MAX
 PEAK : 250°C
 OVER 230°C : 20~40s
 PREHEAT : 150~180°C
 90~120s
2. TEMPERATURE FOR SOLDERING IRON : 280~300°C WITHIN 2s
3. CO-PLANARITY SHALL BE 0.1mm MAX.
4. RECOMMENDED PCB THICKNESS IS 1.6mm.
5. RECOMMENDED SOLDER THICKNESS IS 0.15mm.
6. [Symbol] : PROHIBITED PATTERN AREA



3	BRASS	SURFACE PLATING : TIN PLATING 1µm min			
		UNDER PLATING : NICKEL 1µm min			
2	BRASS	SURFACE PLATING : TIN PLATING 1µm min	6	POLYIMIDE	PICK & PLACE TAPE
		UNDER PLATING : NICKEL 1µm min	5	POLYESTER	
1	PA	GRAY UL94V-0	4	POLYSTYRENE	
NO.	MATERIAL	FINISH . REMARKS	NO.	MATERIAL	FINISH . REMARKS
UNITS	mm	SCALE	2 : 1	COUNT	2
DESCRIPTION OF REVISIONS			DESIGNED	YH. MAMADA	CHECKED
DIS-T-00006748			DATE	20200920	
APPROVED : HK. UMEHARA		20190607	DRAWING NO. EDC-388131-00-00		
CHECKED : HK. UMEHARA		20190607	PART NO. ZE05H-4P-2V(A)		
DESIGNED : YH. MAMADA		20190607	CODE NO. CL752-2320-0-00		
DRAWN : MINTAE KANG		20190607			

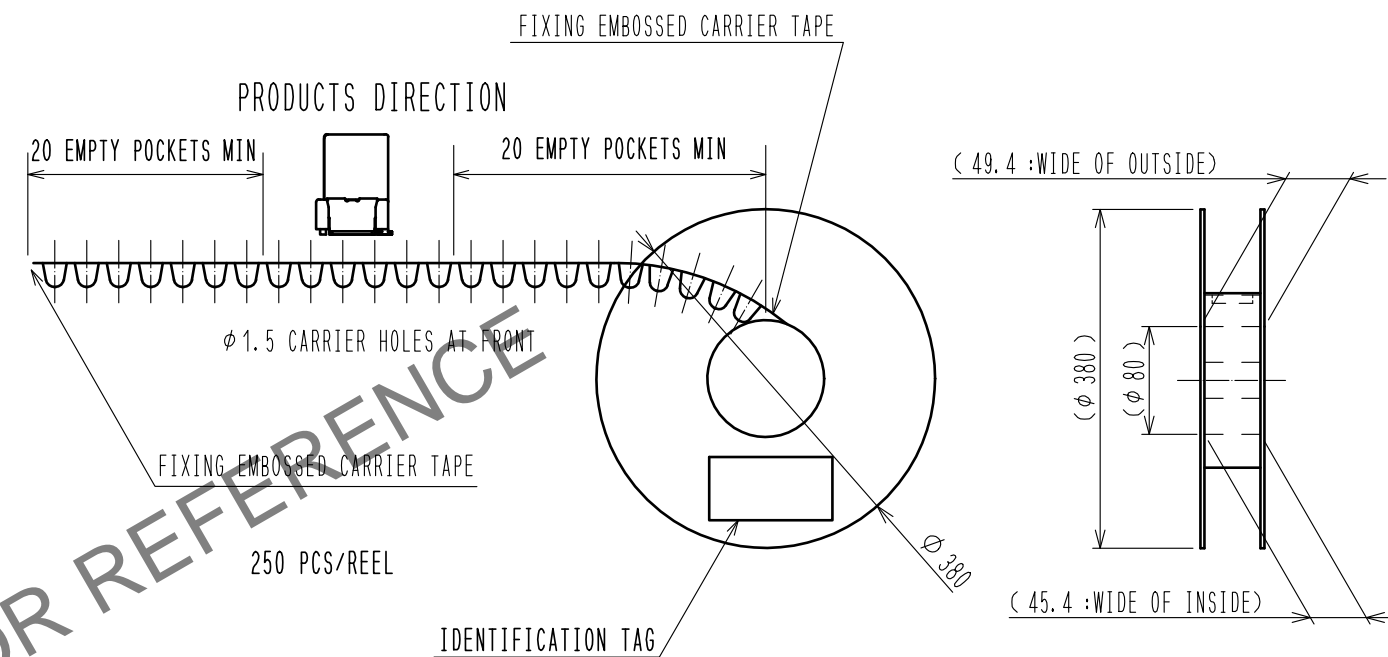
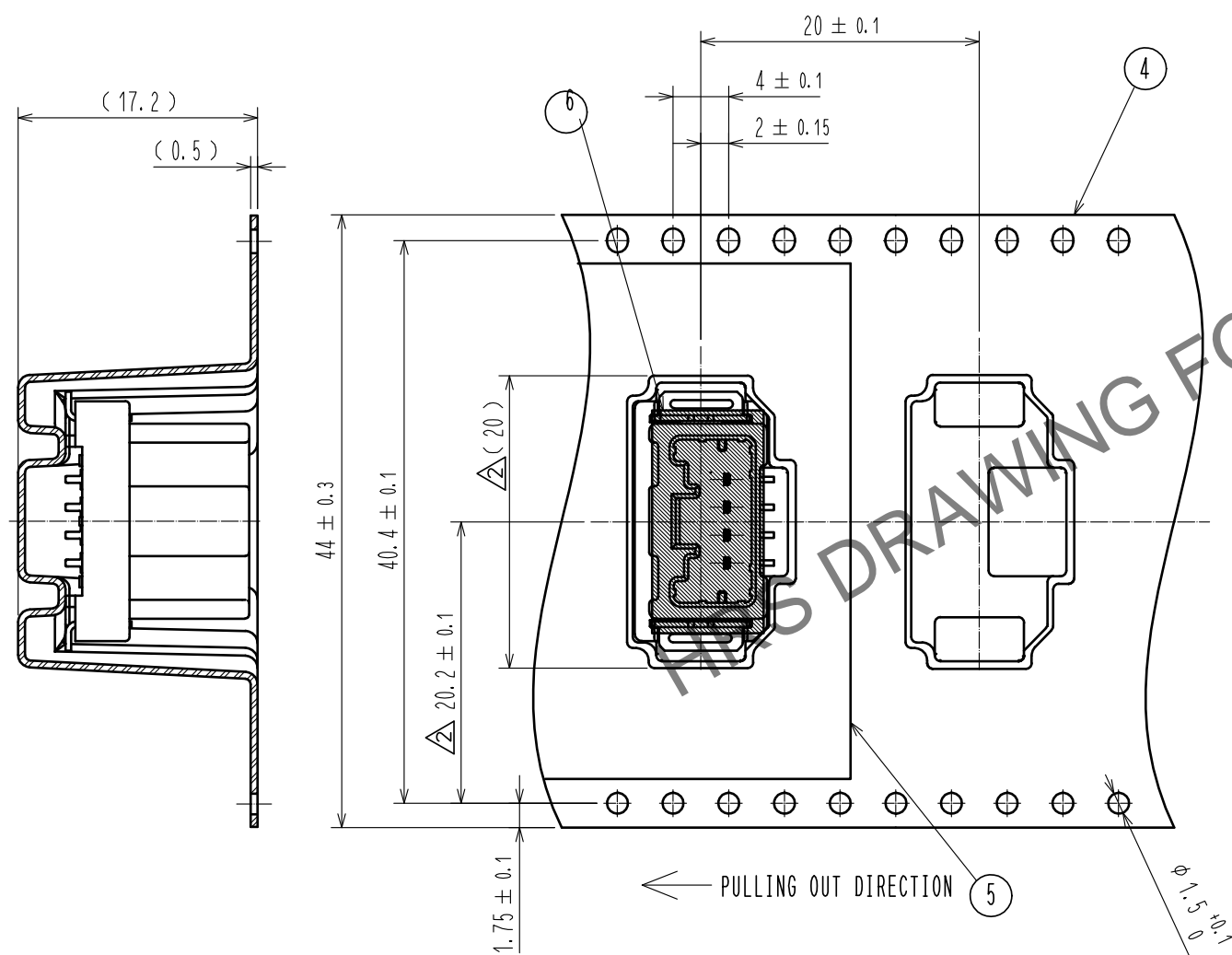
Nov.1.2024 Copyright 2024 HIROSE ELECTRIC CO., LTD. All Rights Reserved. In case of consideration for using Automotive equipment / device which demand high reliability, kindly contact our sales window correspondents.

Nov.1.2024 Copyright 2024 HIROSE ELECTRIC CO., LTD. All Rights Reserved.
 In case of consideration for using Automotive equipment / device which demand high reliability, kindly contact our sales window correspondents.

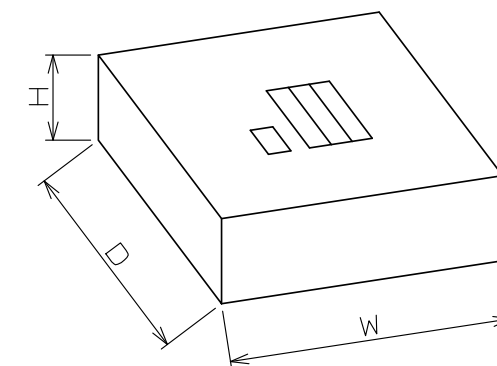
PACKING STYLE

REEL DIMENSION (FREE)

PACKING STYLE DRAWING



CARDBOARD DIMENSION (FREE)



W=(405) (mm)
 D=(405) (mm)
 H=(51) (mm)

HRS	DRAWING NO.	EDC-388131-00-00	\triangle 2/2
	PART NO.	ZE05H-4P-2V(A)	
	CODE NO.	CL752-2320-0-00	