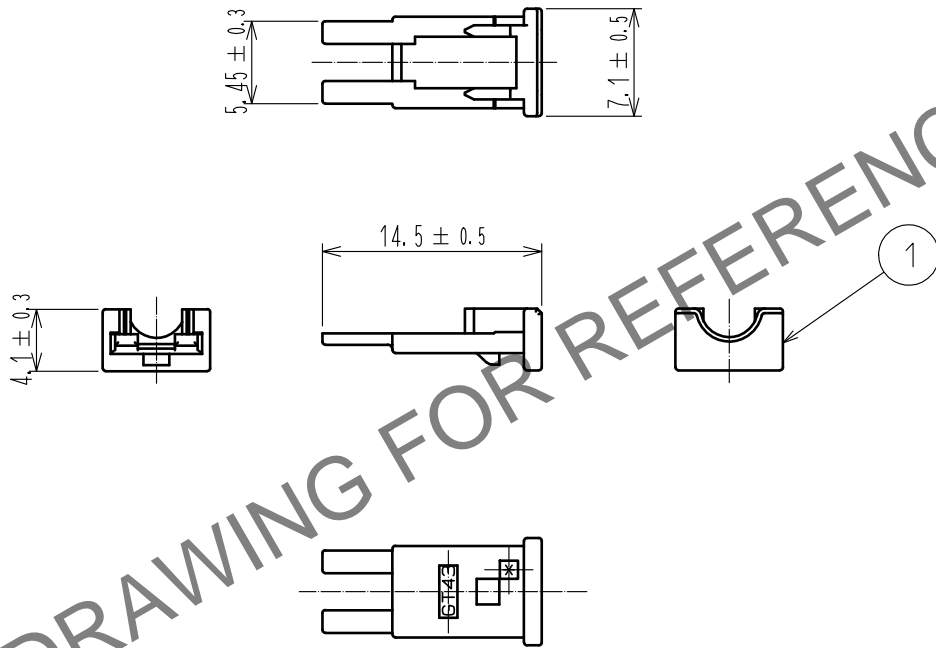


May.1.2024 Copyright 2024 HIROSE ELECTRIC CO., LTD. All Rights Reserved.
 In case of consideration for using Automotive equipment / device which demand high reliability, kindly contact our sales window correspondents.

ELV, RoHS COMPLIANT



Notes

- 1. The quality remains fine, even with the dark spots, which could occasionally occur on molded plastic.

| 1 | PBT | WHITE | | | | | | |
|---|----------|-----------------|------------|--|----------|------------------------|----------------------|------------------|
| NO. | MATERIAL | FINISH | REMARKS | NO. | MATERIAL | FINISH | REMARKS | |
| UNITS mm | | SCALE 2 : 1 | COUNT 2 | DESCRIPTION OF REVISIONS DIS-T-00006258 | | DESIGNED KN. MIKAMI | CHECKED MO. OKADA | DATE 20200617 |
| HRS HIROSE ELECTRIC CO., LTD. | APPROVED | : KI. HIROKAWA | 20180307 | DRAWING NO. | | EDC-376889-00-00 | | |
| | CHECKED | : KI. HIROKAWA | 20180307 | PART NO. | | GT43-1P/S-R | | |
| | DESIGNED | : KT. OKABE | 20180307 | CODE NO. | | CL753-1007-0-00 | | |
| | DRAWN | : GYEONGMIN LEE | 20180307 | | | 1/1 | | |