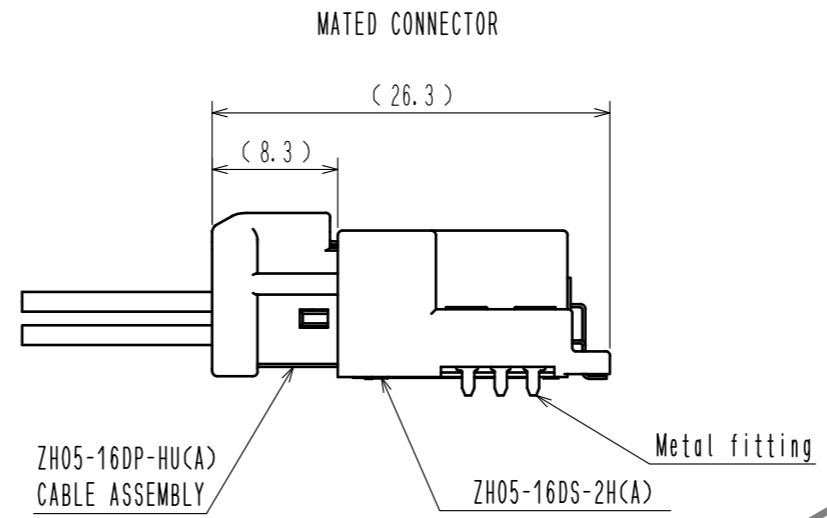
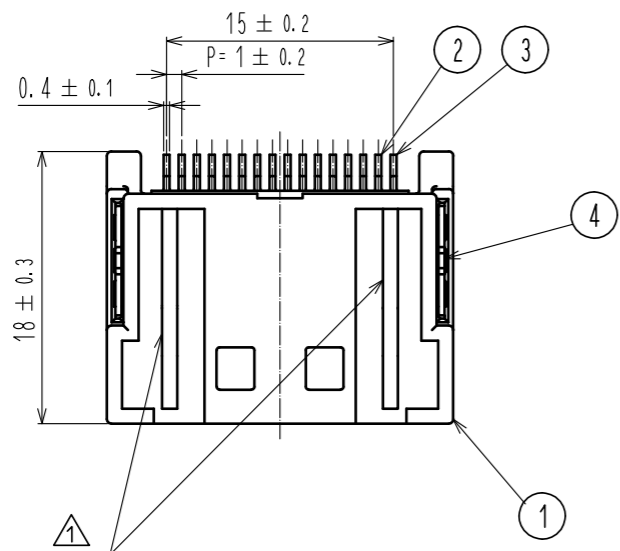
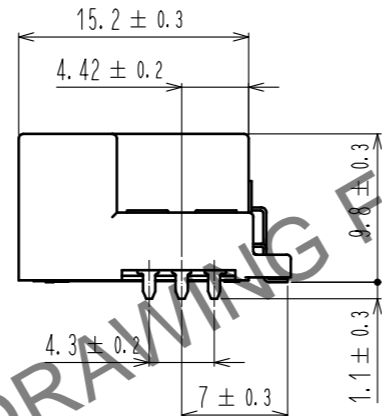
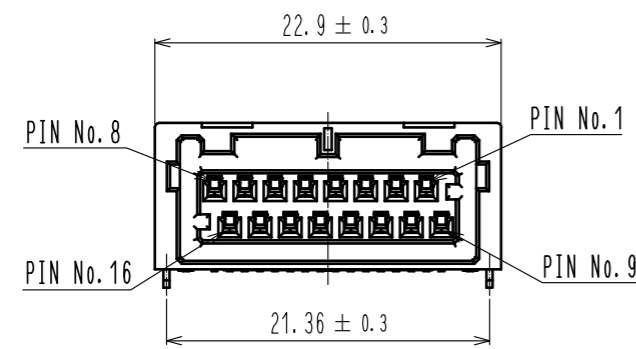
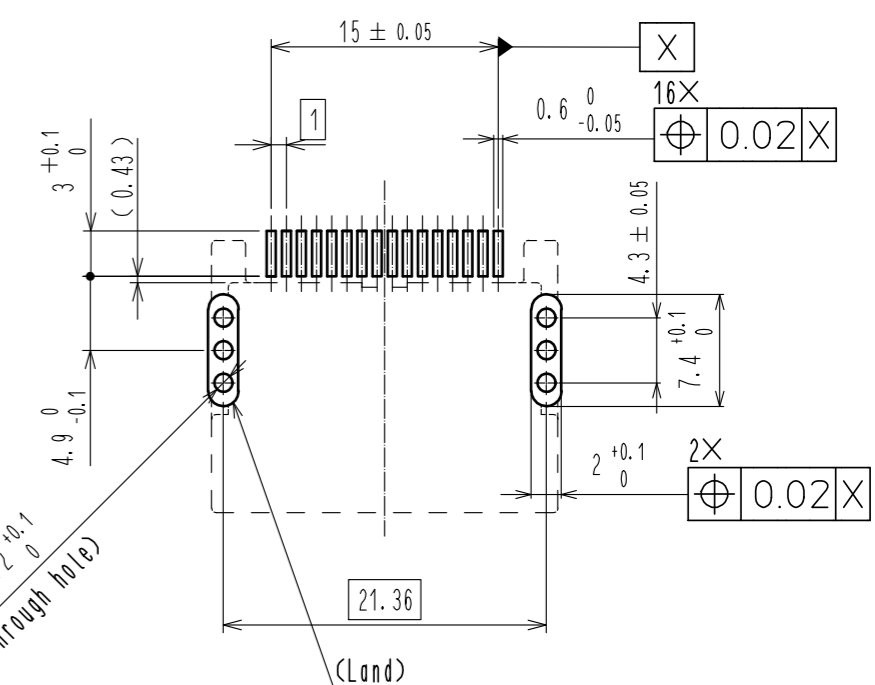


Aug.1.2024 Copyright 2024 HIROSE ELECTRIC CO., LTD. All Rights Reserved.  
In case of consideration for using Automotive equipment / device which demand high reliability, kindly contact our sales window correspondents.

ELV, RoHS COMPLIANT

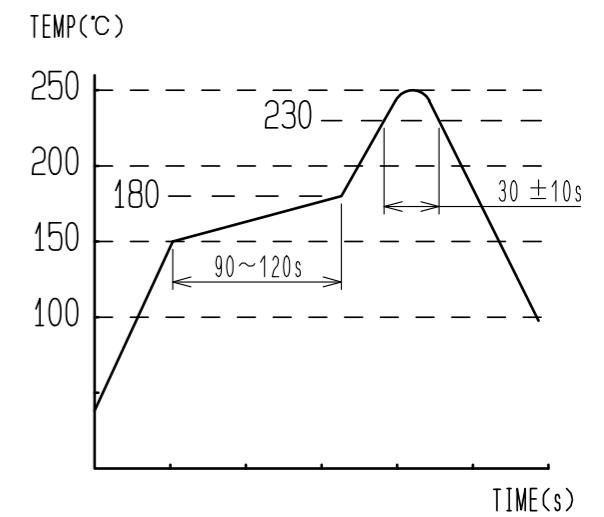


RECOMMENDED PCB PATTERN (FREE)  
(PCB THICKNESS: t=1.6mm. METAL MASK THICKNESS: t=0.1mm)

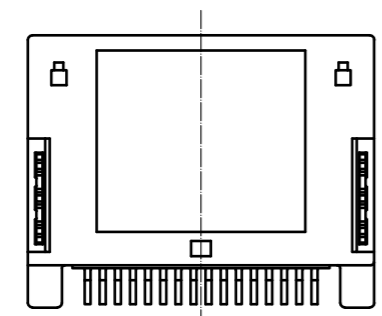


NOTE 1. RECOMMENDED TEMPERATURE PROFILE FOR REFLOW  
(REFER TO RIGHT FIG.)  
USED REFLOW SYSTEM

- : IR IN THE AIR OR NITROGEN
- NO. OF CYCLES : 2 MAX
- PEAK : 250°C
- OVER 230°C : 20~40s
- PREHEAT : 150~180°C
- : 90~120s



- 2. TEMPERATURE FOR SOLDERING IRON : 280~300°C WITHIN 2s
- 3. CO-PLANARITY SHALL BE 0.1mm MAX.
- 4. RECOMMENDED PCB THICKNESS IS 1.6mm.
- 5. RECOMMENDED SOLDER THICKNESS IS 0.10mm.
- 6. ACCORDING TO THE SOLDERING CONDITIONS, THERE ARE EVENTS WHERE SOLDER DOESN' T GET MOLTEN DUE TO LOW TEMPERATURE OF SOLDERING AREA. IN SUCH EVENTS, IF REFLOW TEMPERATURE IS RAISED INTENTIONALLY TO GET THE SOLDER MOLTEN, IT MAY CAUSE EXCESSIVE HEAT OF UP TO 250°C ON THE OUTER (TOP) SURFACE OF CONNECTOR THAT CAN LEAD TO THE OCCURRENCE OF BLISTER. PLEASE ENSURE THAT TEMPERATURE OF OUTER (TOP) SURFACE OF CONNECTOR SHALL NOT EXCEED 250°C WHILE SOLDERING.



3	COPPER ALLOY	SURFACE : TIN PLATING 1μm min UNDER : NICKEL PLATING 1μm min	6	POLYESTER	
2	COPPER ALLOY	SURFACE : TIN PLATING 1μm min UNDER : NICKEL PLATING 1μm min	5	POLYSTYRENE	
1	PA	BLACK, UL94V-0	4	BRASS	SURFACE : TIN PLATING 1μm min UNDER : NICKEL PLATING 1μm min
NO.	MATERIAL	FINISH, REMARKS	NO.	MATERIAL	FINISH, REMARKS

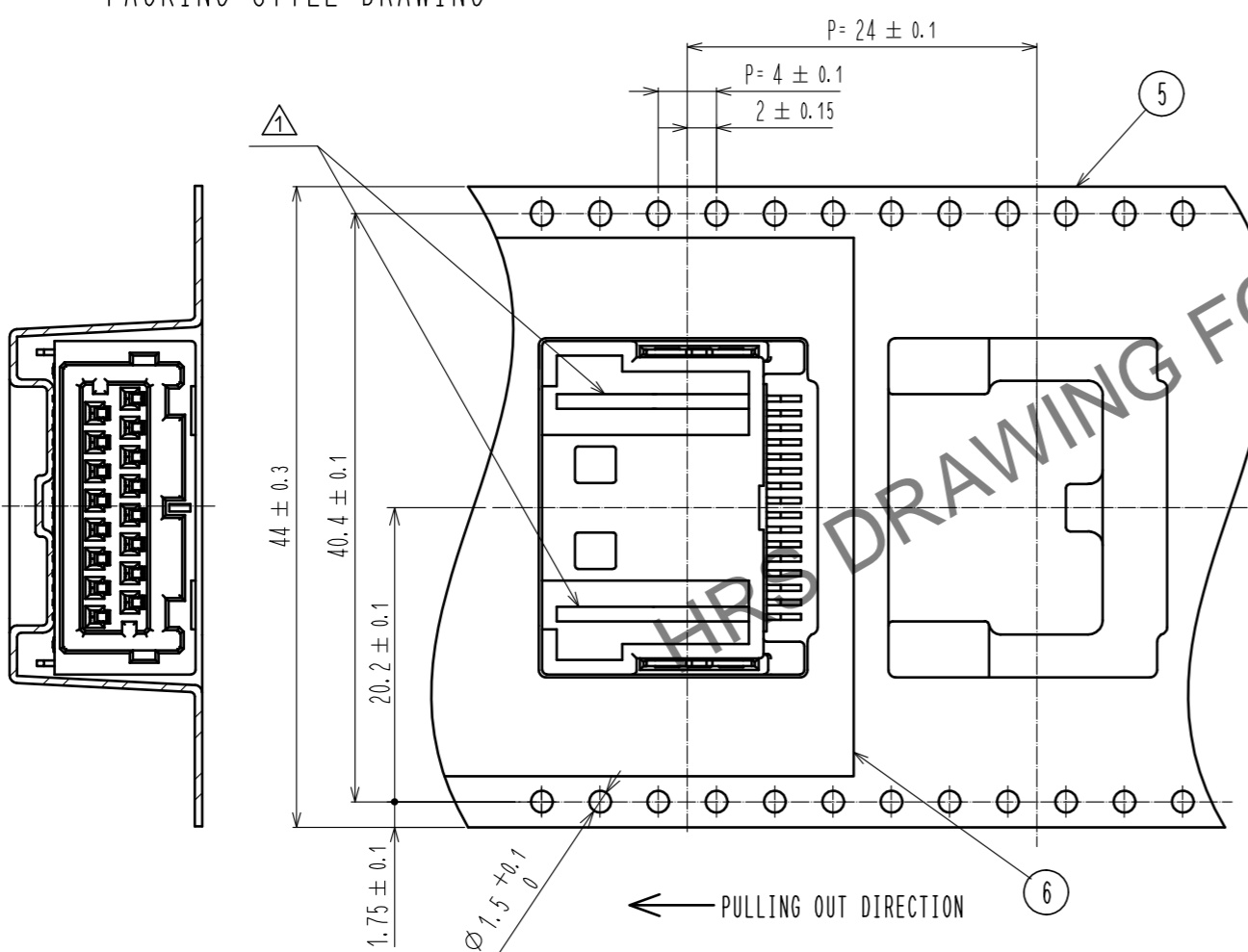
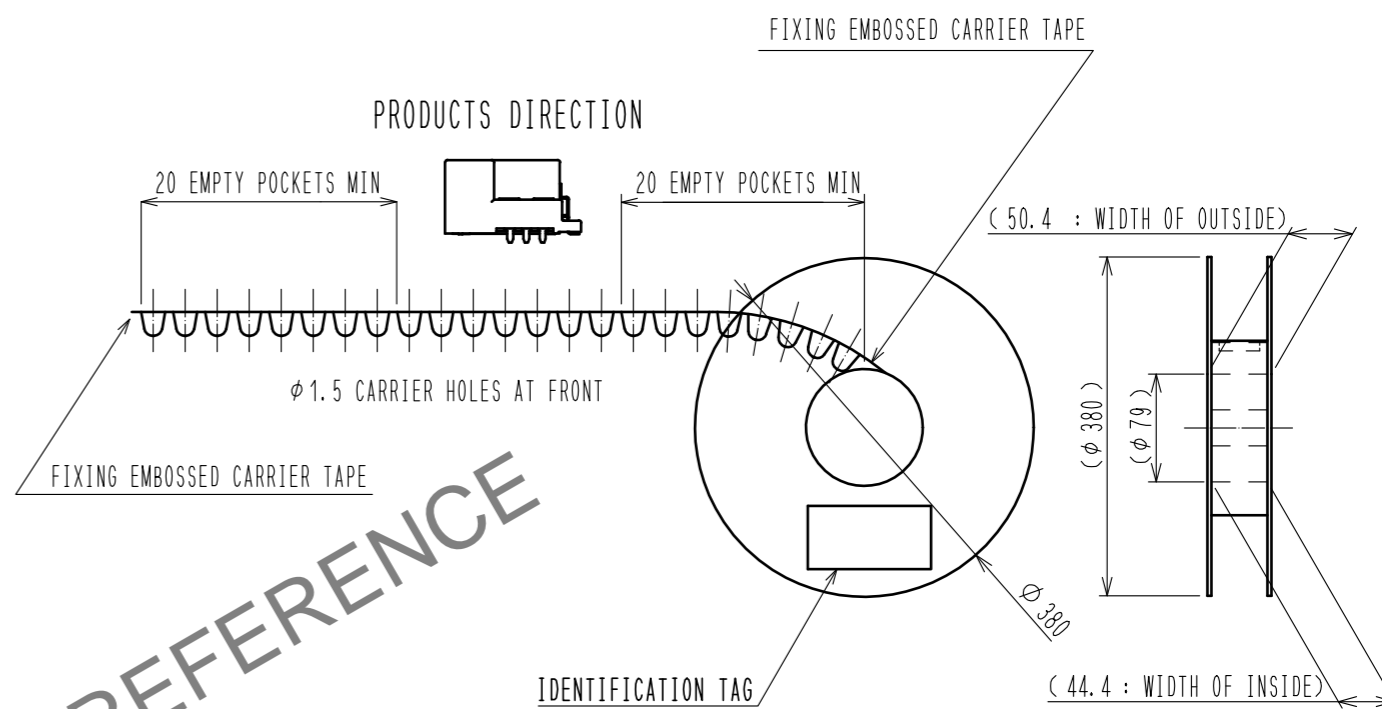
UNITS mm		SCALE 2 : 1	COUNT 2	DESCRIPTION OF REVISIONS DIS-T-00020511	DESIGNED YANG CHUAN XING	CHECKED MH. SHOUJI	DATE 20240325
<b>HRS</b> HIROSE ELECTRIC CO., LTD.		APPROVED : MH. SHOUJI 20230713	DRAWING NO. EDC-386853-80-00				
		CHECKED : MH. SHOUJI 20230713	PART NO. ZH05-16DS-2H(A)				
		DESIGNED : YANG CHUAN XING 20230713	CODE NO. CL0756-2101-0-80				
		DRAWN : YANG CHUAN XING 20230713					

Aug.1.2024 Copyright 2024 HIROSE ELECTRIC CO., LTD. All Rights Reserved.  
 In case of consideration for using Automotive equipment / device which demand high reliability, kindly contact our sales window correspondents.

# PACKING STYLE

## REEL DIMENSION (FREE)

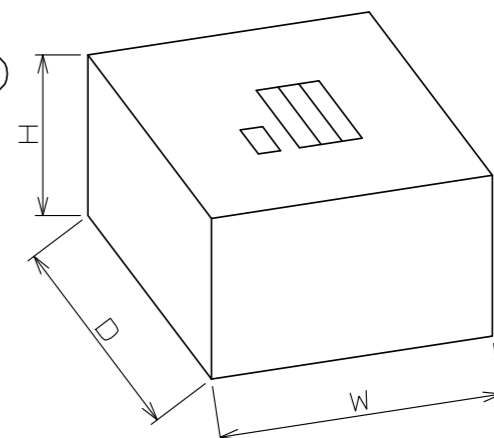
### PACKING STYLE DRAWING



250 PCS/REEL  
 5 REELS/CARTON

## CARDBOARD DIMENSION (FREE)

W=(405) (mm)  
 D=(405) (mm)  
 H=(350) (mm)



<b>HRS</b>	DRAWING NO.	EDC-386853-80-00	
	PART NO.	ZH05-16DS-2H(A)	
	CODE NO.	CL0756-2101-0-80	