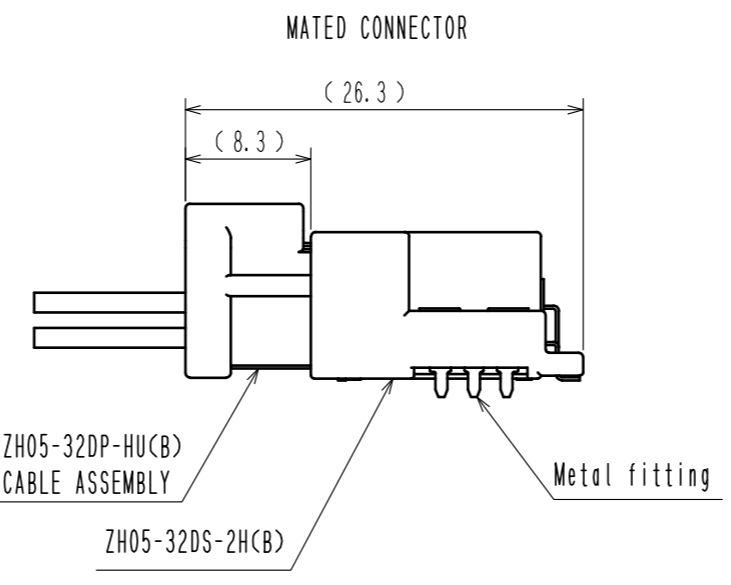
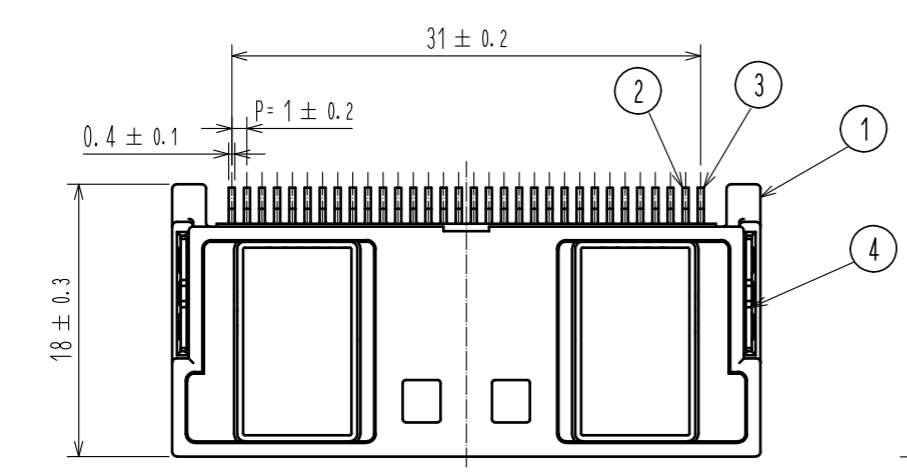
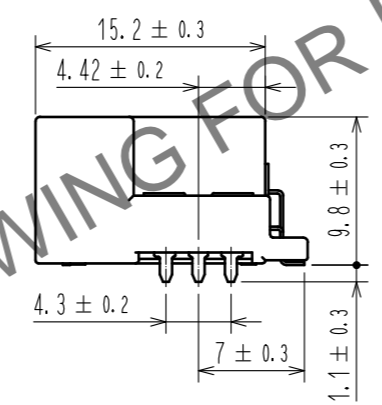
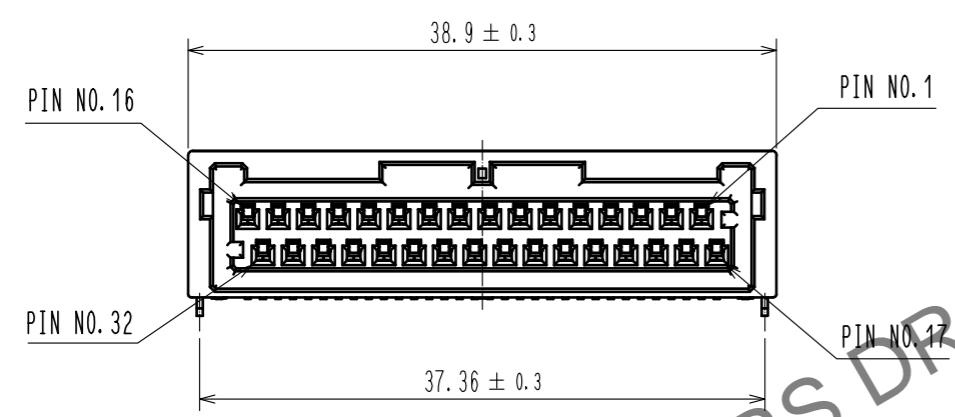
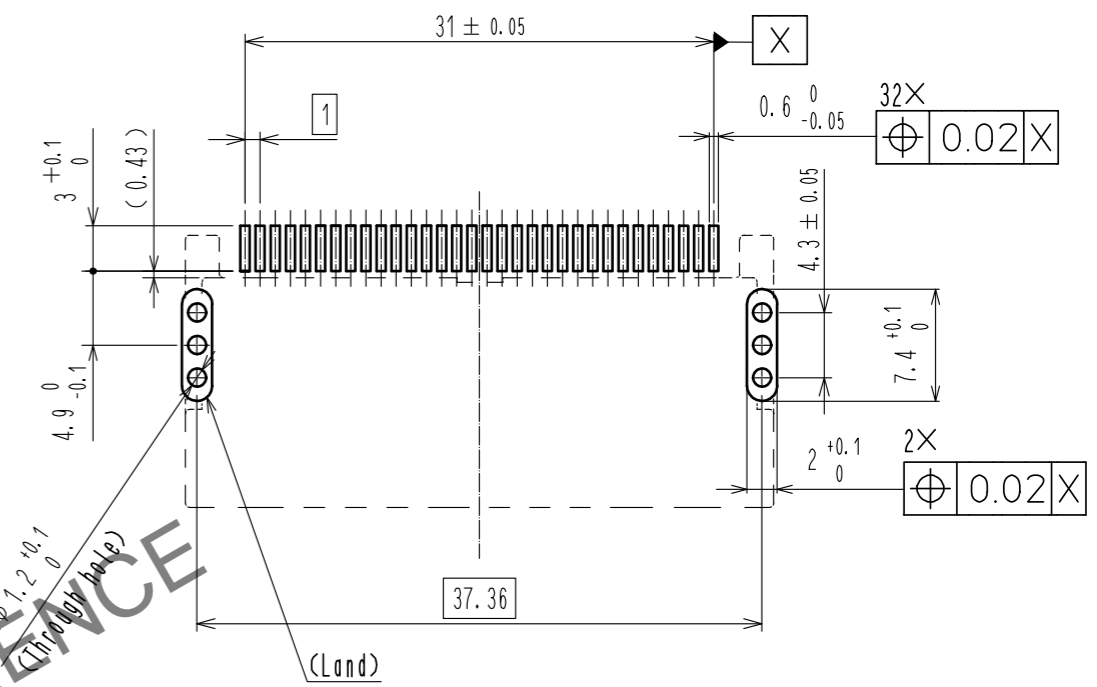


Nov.1.2024 Copyright 2024 HIROSE ELECTRIC CO., LTD. All Rights Reserved.
In case of consideration for using Automotive equipment / device which demand high reliability, kindly contact our sales window correspondents.

ELV, RoHS COMPLIANT

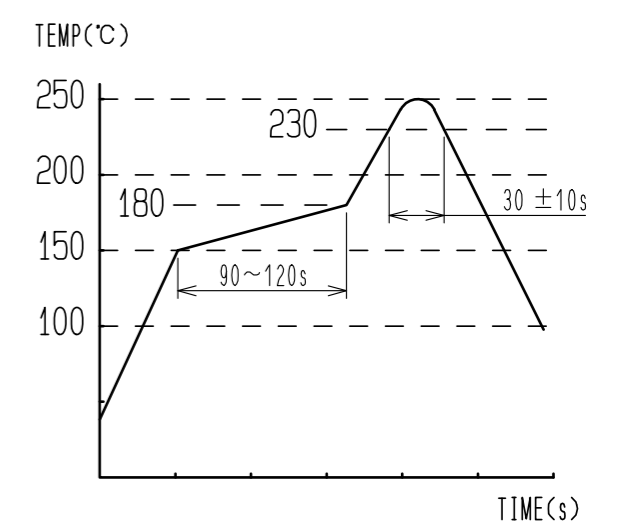


RECOMMENDED PCB PATTERN (FREE)
(PCB THICKNESS:t=1.6mm. METAL MASK THICKNESS:t=0.1mm)

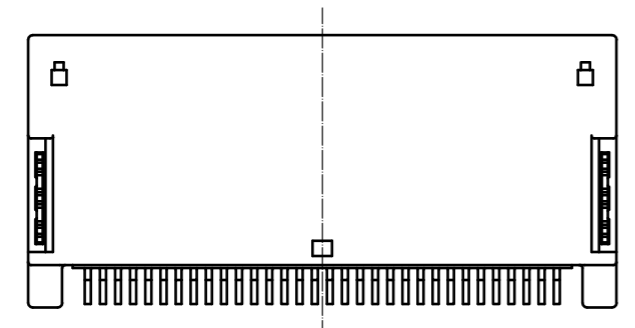


NOTE 1. RECOMMENDED TEMPERATURE PROFILE FOR REFLOW
(REFER TO RIGHT FIG.)
USED REFLOW SYSTEM

- NO. OF CYCLES : 2 MAX
- PEAK : 250°C
- OVER 230°C : 20~40s
- PREHEAT : 150~180°C
- 90~120s



- 2. TEMPERATURE FOR SOLDERING IRON : 280~300°C WITHIN 2s
- 3. CO-PLANARITY SHALL BE 0.1mm MAX.
- 4. RECOMMENDED PCB THICKNESS IS 1.6mm.
- 5. RECOMMENDED SOLDER THICKNESS IS 0.10mm.
- 6. ACCORDING TO THE SOLDERING CONDITIONS, THERE ARE EVENTS WHERE SOLDER DOESN' T GET MOLTEN DUE TO LOW TEMPERATURE OF SOLDERING AREA. IN SUCH EVENTS, IF REFLOW TEMPERATURE IS RAISED INTENTIONALLY TO GET THE SOLDER MOLTEN, IT MAY CAUSE EXCESSIVE HEAT OF UP TO 250°C ON THE OUTER (TOP) SURFACE OF CONNECTOR THAT CAN LEAD TO THE OCCURRENCE OF BLISTER. PLEASE ENSURE THAT TEMPERATURE OF OUTER (TOP) SURFACE OF CONNECTOR SHALL NOT EXCEED 250°C WHILE SOLDERING.



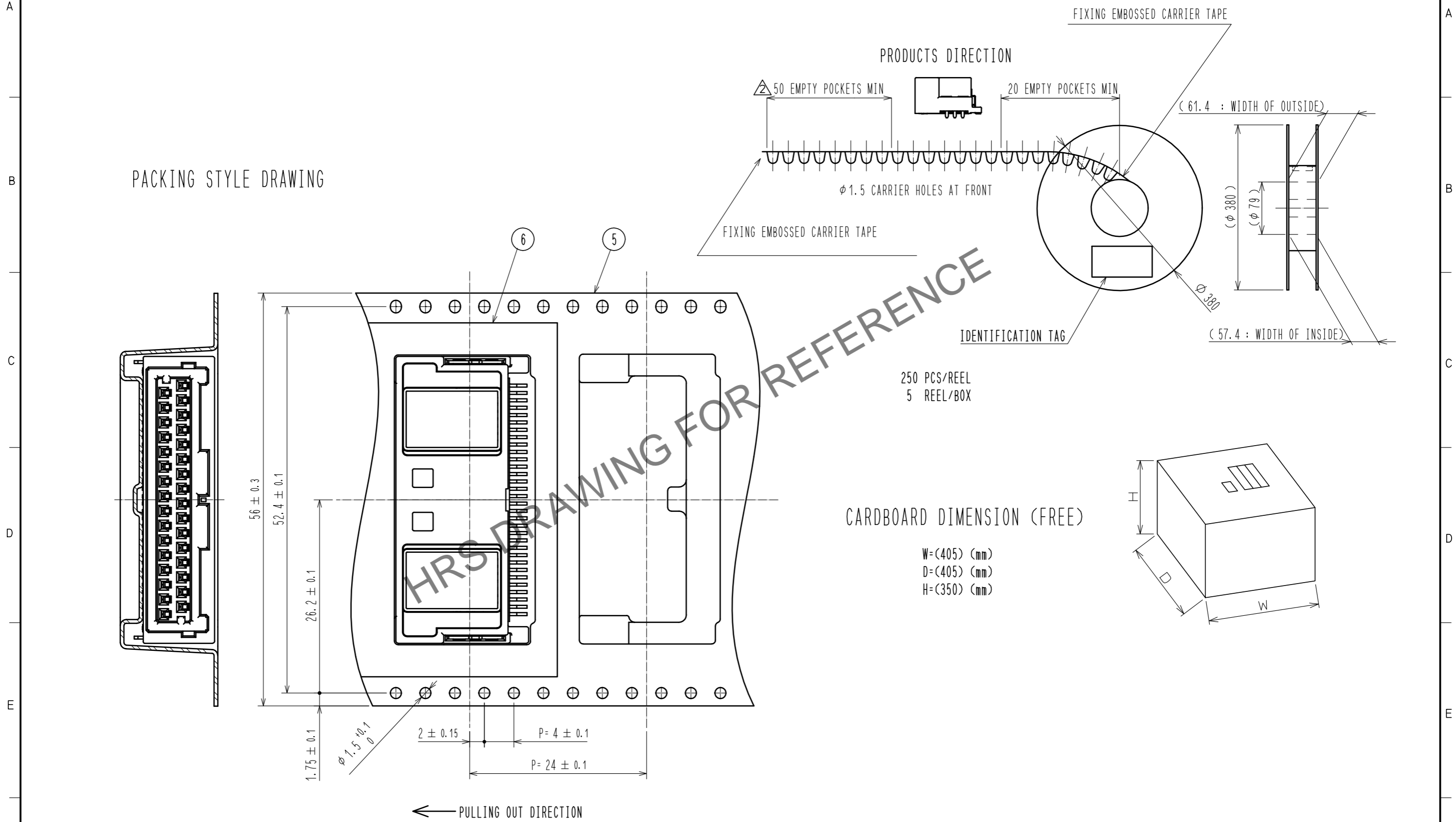
3	COPPER ALLOY	SURFACE : TIN PLATING 1μm min UNDER : NICKEL PLATING 1μm min	6	POLYESTER	
2	COPPER ALLOY	SURFACE : TIN PLATING 1μm min UNDER : NICKEL PLATING 1μm min	5	POLYSTYRENE	
1	PA	GRAY, UL94V-0	4	BRASS	SURFACE : TIN PLATING 1μm min UNDER : NICKEL PLATING 1μm min
NO.	MATERIAL	FINISH . REMARKS	NO.	MATERIAL	FINISH . REMARKS
UNITS mm		SCALE 2 : 1	COUNT 1	DESCRIPTION OF REVISIONS DIS-T-00019156	
DESIGNED		CHECKED		DATE	
YANG CHUAN XING		MH. SHOUJI		20231102	
APPROVED : AH. EDASHIGE		20220503		DRAWING NO. EDC-399090-00-00	
CHECKED : AH. EDASHIGE		20220503		PART NO. ZH05-32DS-2H(B)	
DESIGNED : MH. SHOUJI		20220503		CODE NO. CL0756-2111-0-00	
DRAWN : CHANGSHEN ZHOU		20220503			

Nov.1.2024 Copyright 2024 HIROSE ELECTRIC CO., LTD. All Rights Reserved.
 In case of consideration for using Automotive equipment / device which demand high reliability, kindly contact our sales window correspondents.

PACKING STYLE

REEL DIMENSION (FREE)

PACKING STYLE DRAWING



ASSEMBLY DRAWING	HRS	DRAWING NO.	EDC-399090-00-00
		PART NO.	ZH05-32DS-2H(B)
		CODE NO.	CL0756-2111-0-00