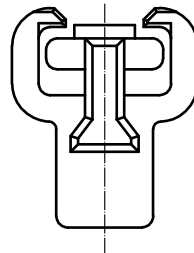
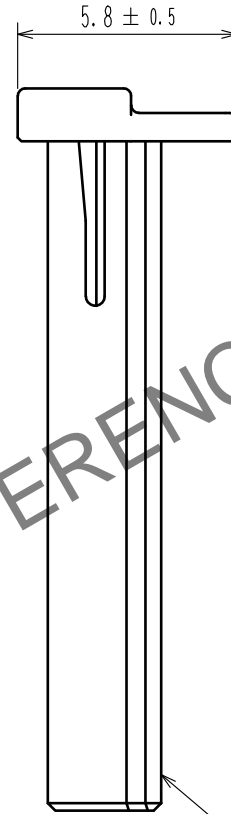
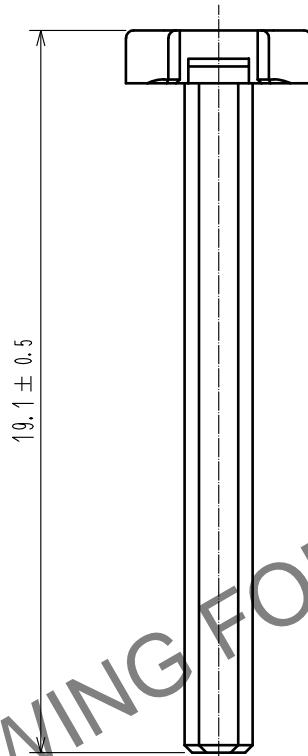
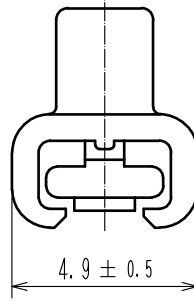


Aug.1.2024 Copyright 2024 HIROSE ELECTRIC CO., LTD. All Rights Reserved.
 In case of consideration for using Automotive equipment / device which demand high reliability, kindly contact our sales window correspondents.

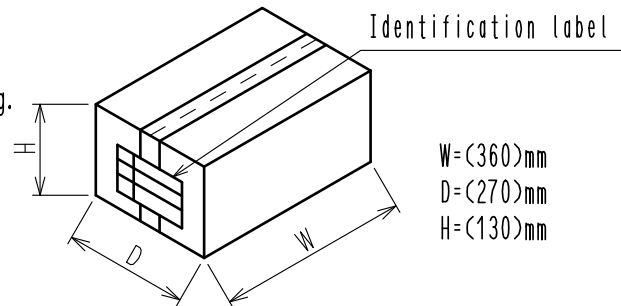
ELV, RoHS COMPLIANT



HRS DRAWING FOR REFERENCE

PACKAGING SPECIFICATION

- (1) 1,000 pcs parts are contained in a plastic bag.
- (2) 10 plastic bags are contained in a carton.
(Total 10,000 pcs in one carton)
- (3) Close the box and seal with packing tape.



1	PBT	DARK GRAY, UL94V-0			
NO.	MATERIAL	FINISH . REMARKS	NO.	MATERIAL	FINISH . REMARKS
UNITS mm		SCALE 5 : 1	COUNT 	DESCRIPTION OF REVISIONS	DESIGNED
HIROSE ELECTRIC CO., LTD.		APPROVED :HK. UMEHARA	20210212	DRAWING NO.	EDC-395495-00-00
		CHECKED :OM. MIYAMOTO	20210212	PART NO.	ZH05-16DP-R
		DESIGNED :KH. MARUNO	20210209	CODE NO.	CL0756-2215-0-00
		DRAWN :KH. MARUNO	20210209		