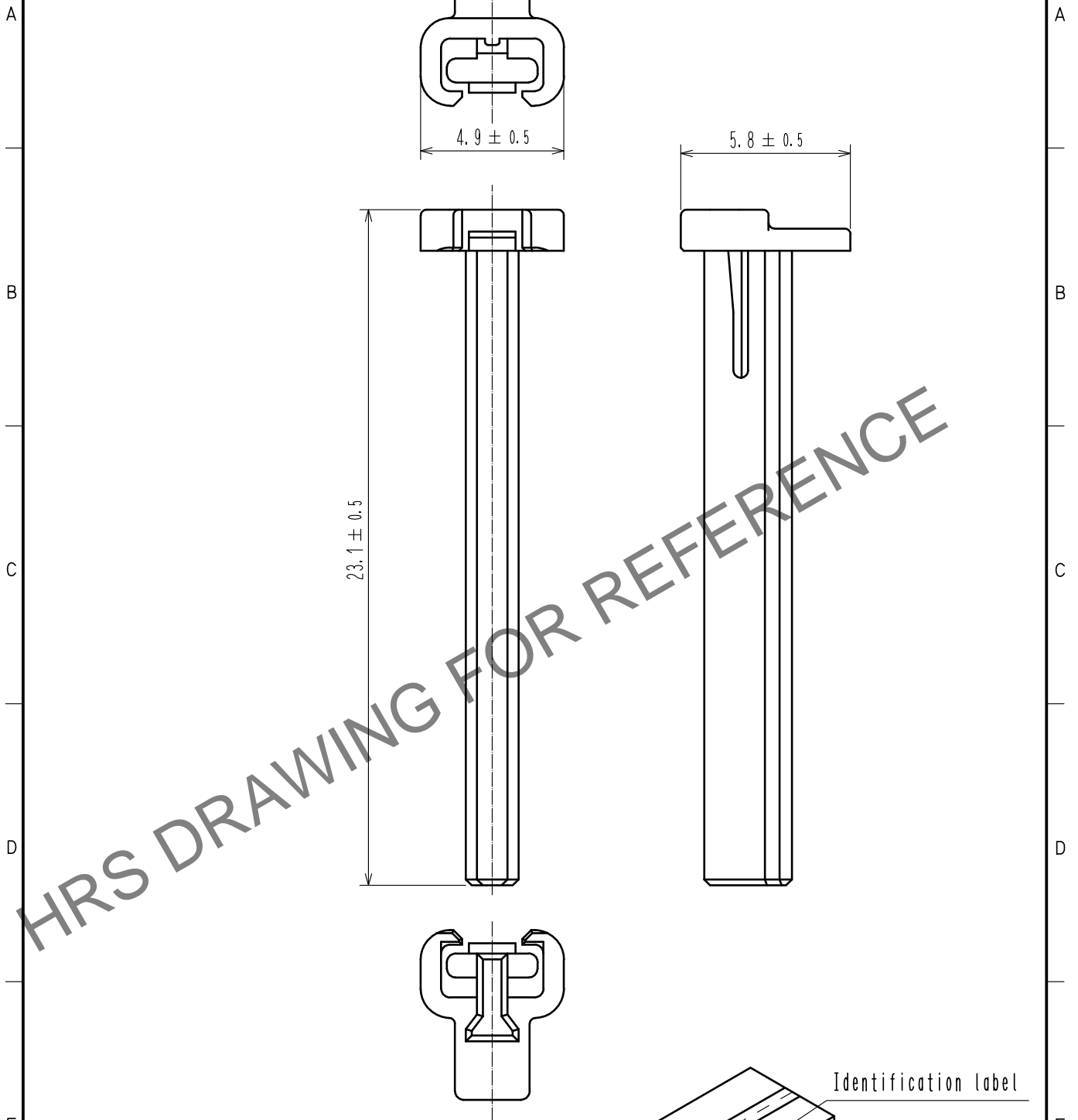


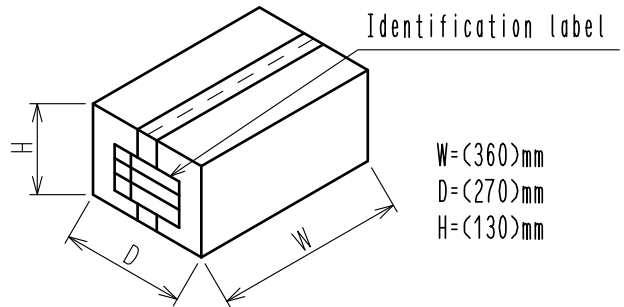
Aug. 1. 2024 Copyright 2024 HIROSE ELECTRIC CO., LTD. All Rights Reserved.
 In case of consideration for using Automotive equipment / device which demand high reliability, kindly contact our sales window correspondents.

ELV, RoHS COMPLIANT



PACKAGING SPECIFICATION

- (1) 1,000pcs parts are contained in a plastic bag.
- (2) 10 plastic bags are contained in a carton.
(Total 10,000 pcs in one carton)
- (3) Close the box and seal with packing tape.



W=(360)mm
 D=(270)mm
 H=(130)mm

1	PBT	DARK GRAY, UL94V-0						
NO.	MATERIAL	FINISH, REMARKS		NO.	MATERIAL	FINISH, REMARKS		
UNITS mm		SCALE 5 : 1	COUNT 	DESCRIPTION OF REVISIONS		DESIGNED	CHECKED	DATE
HIROSE ELECTRIC CO., LTD.		APPROVED : HK. UMEHARA		20210212	DRAWING NO. EDC-395496-00-00			
		CHECKED : OM. MIYAMOTO		20210212	PART NO. ZH05-20DP-R			
		DESIGNED : KH. MARUNO		20210209	CODE NO. CL0756-2216-0-00			
		DRAWN : KH. MARUNO		20210209	1/1			