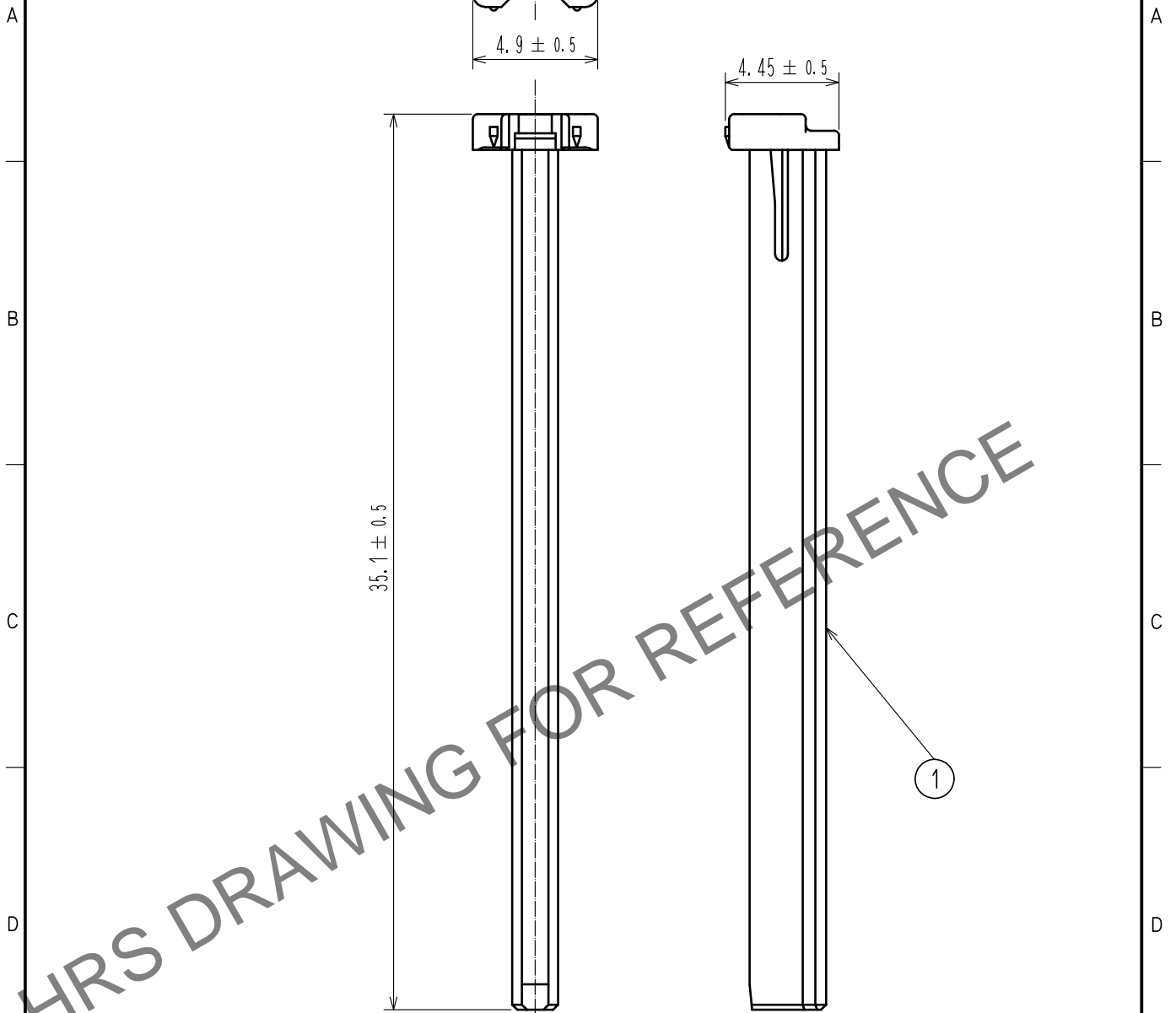
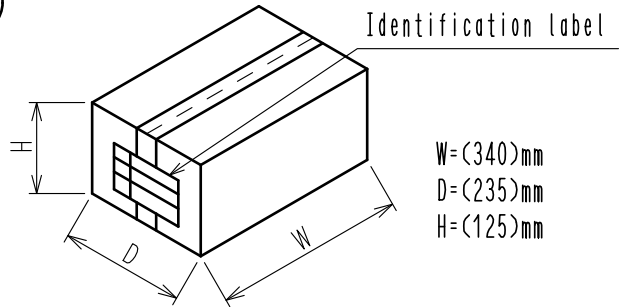
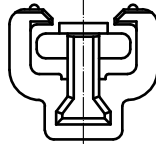


Aug.1.2024 Copyright 2024 HIROSE ELECTRIC CO., LTD. All Rights Reserved.
 In case of consideration for using Automotive equipment / device which demand high reliability, kindly contact our sales window correspondents.

ELV, RoHS COMPLIANT



HRS DRAWING FOR REFERENCE



PACKAGING SPECIFICATION

- (1) 2,000pcs parts are contained in a plastic bag.
- (2) 6 plastic bags are contained in a carton.
(Total 12,000 pcs in one carton)
- (3) Close the box and seal with packing tape.

1	PBT	DARK GRAY. UL94V-0			
NO.	MATERIAL	FINISH . REMARKS	NO.	MATERIAL	FINISH . REMARKS
UNITS mm		SCALE 4 : 1	COUNT 	DESCRIPTION OF REVISIONS	DESIGNED CHECKED DATE
HIROSE ELECTRIC CO., LTD.		APPROVED : AH. EDASHIGE	20220503	DRAWING NO.	EDC-399093-00-00
		CHECKED : AH. EDASHIGE	20220503	PART NO.	ZH05-32DP-R
		DESIGNED : MH. SHOUJI	20220503	CODE NO.	CL0756-2220-0-00
		DRAWN : CHANGSHEN ZHOU	20220503	1/1	